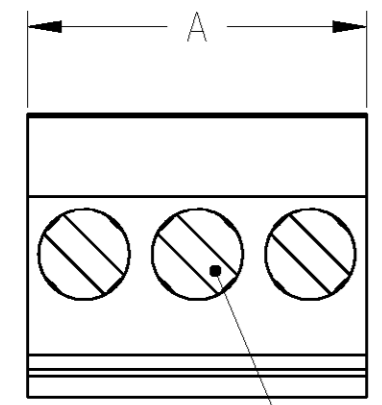


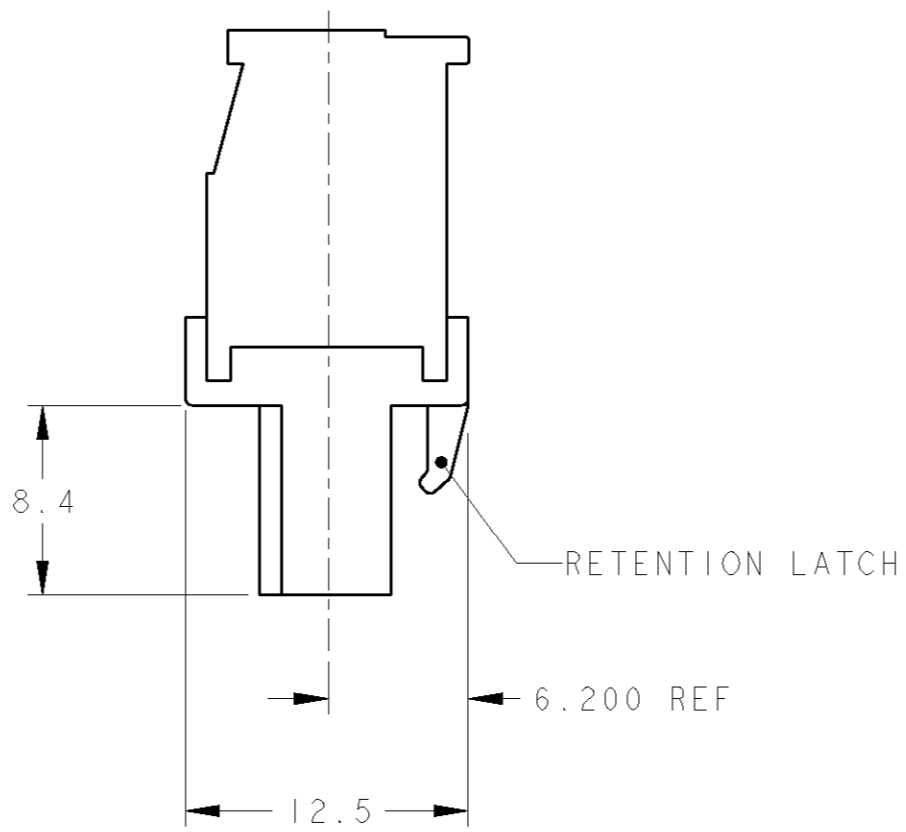
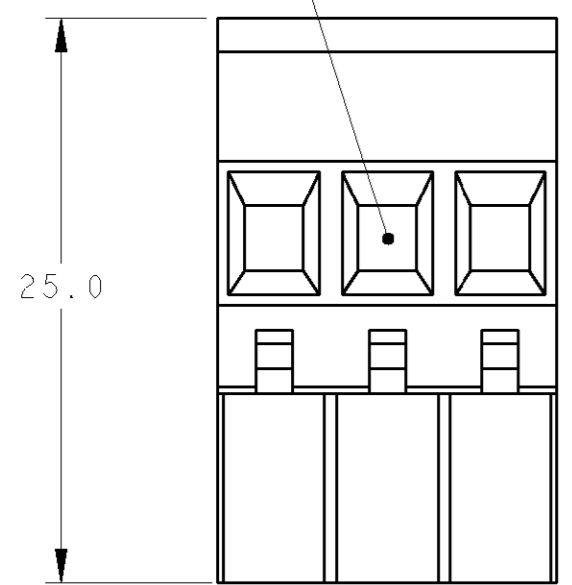
THIS DRAWING IS UNPUBLISHED. RELEASED FOR PUBLICATION 20  
 © COPYRIGHT 20 BY TYCO ELECTRONICS CORPORATION. ALL RIGHTS RESERVED.

LOC	DIST	REVISIONS			
P	LTR	DESCRIPTION	DATE	DWN	APVD
	A	RELEASED	26AUG2002	SW	CR

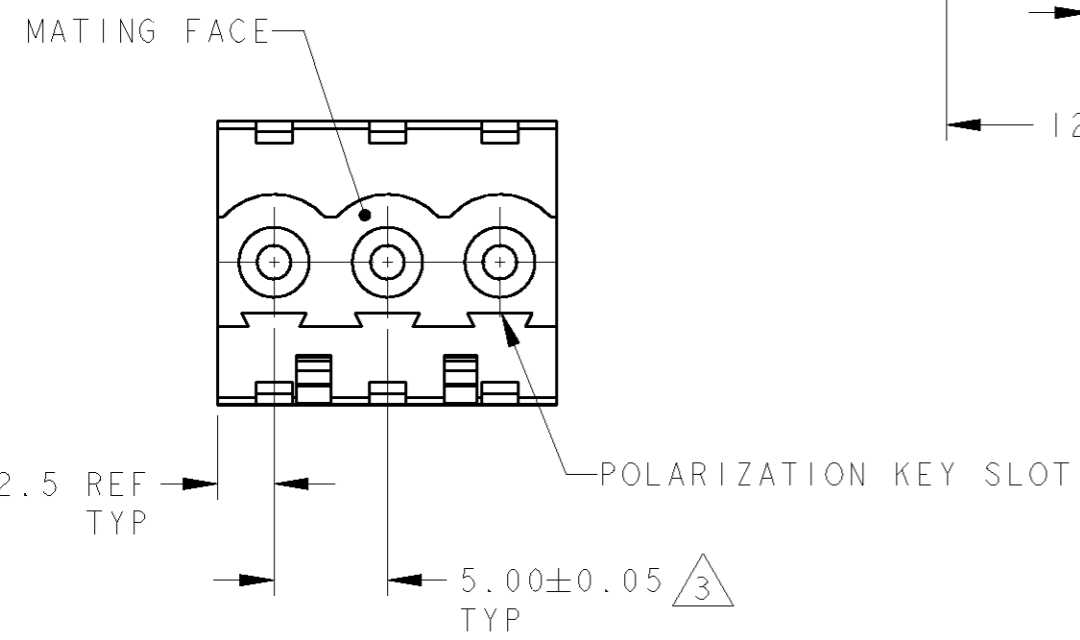


- 1 MATERIALS AND FINISH  
 HOUSING: PA 6-6, UL 94-V0, COLOR: BLACK.  
 CLAMP: BRASS, NICKEL PLATED.  
 CONTACT SPRING : PHOSPHOR BRONZE, TIN PLATED.  
 CLAMPING SCREW: M3, BRASS, NICKEL PLATED.
- 2. WIRE SIZE RANGE: 12 - 30 AWG
- 3 NOT CUMULATIVE TOLERANCE.
- 4 INK MARKING: WHITE COLOR  
 NUMERICAL SEQUENCE: FROM LEFT TO RIGHT.

WIRE ENTRY CLAMPING SCREW



SEE DETAIL N	30	6	3-1546118-6
SEE DETAIL M	110	22	3-1546118-2
-	125	25	2-1546118-5
-	120	24	2-1546118-4
-	115	23	2-1546118-3
-	110	22	2-1546118-2
-	105	21	2-1546118-1
-	100	20	2-1546118-0
-	95	19	1-1546118-9
-	90	18	1-1546118-8
-	85	17	1-1546118-7
-	80	16	1-1546118-6
-	75	15	1-1546118-5
-	70	14	1-1546118-4
-	65	13	1-1546118-3
-	60	12	1-1546118-2
-	55	11	1-1546118-1
-	50	10	1-1546118-0
-	45	9	1546118-9
-	40	8	1546118-8
-	35	7	1546118-7
-	30	6	1546118-6
-	25	5	1546118-5
-	20	4	1546118-4
-	15	3	1546118-3
-	10	2	1546118-2



THIS DRAWING IS A CONTROLLED DOCUMENT FOR TYCO ELECTRONICS CORPORATION  
 IT IS SUBJECT TO CHANGE AND THE CONTROLLING ENGINEERING ORGANIZATION  
 SHOULD BE CONTACTED FOR THE LATEST REVISION.

DIMENSIONS: mm	TOLERANCES UNLESS OTHERWISE SPECIFIED: 0 PLC ±.3 1 PLC ±.3 2 PLC ±.25 3 PLC ±. 4 PLC ±. ANGLES ±2	DWN S. WELDON 26AUG2002 CHK C. RICHARD 26AUG2002 APVD C. RICHARD 26AUG2002	<b>BUCHANAN</b> Tyco Electronics Harrisburg, PA 17105-3608	
MATERIAL	FINISH	PRODUCT SPEC - APPLICATION SPEC - WEIGHT -	NAME TERMINAL BLOCK VERTICAL PLUG STACKING LEFT HAND 5.0mm PITCH	
		CUSTOMER DRAWING	SIZE A3 CAGE CODE 00779 DRAWING NO C-1546118 RESTRICTED TO -	
			SCALE 3:1 SHEET 1 OF 2 REV A	

4

3

2

1

THIS DRAWING IS UNPUBLISHED.

RELEASED FOR PUBLICATION

20

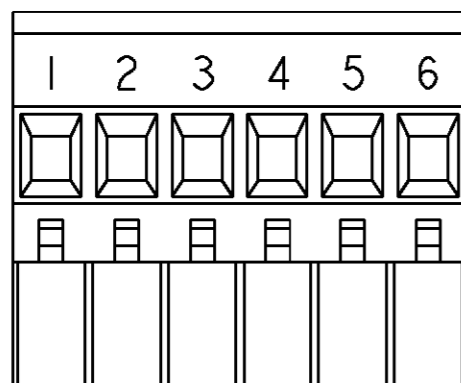
© COPYRIGHT 20

BY TYCO ELECTRONICS CORPORATION. ALL RIGHTS RESERVED.

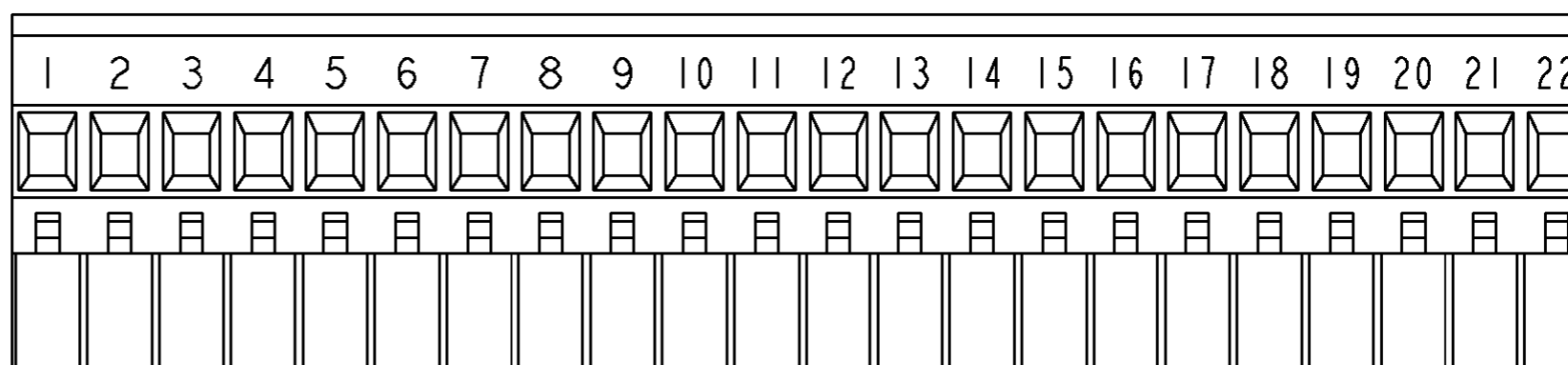
LOC FT DIST 0

REVISIONS

P	LTR	DESCRIPTION	DATE	DWN	APVD
	-	SEE SHEET 1	-	-	-



DETAIL N  
SCALE 2:1



DETAIL M  
SCALE 2:1

<small>THIS DRAWING IS A CONTROLLED DOCUMENT FOR TYCO ELECTRONICS CORPORATION IT IS SUBJECT TO CHANGE AND THE CONTROLLING ENGINEERING ORGANIZATION SHOULD BE CONTACTED FOR THE LATEST REVISION.</small>		DWN S. WELDON 26AUG2002 CHR C. RICHARD 26AUG2002 APVD C. RICHARD 26AUG2002	<b>BUCHANAN</b> Tyco Electronics Harrisburg, PA 17105-3608
DIMENSIONS: mm 	TOLERANCES UNLESS OTHERWISE SPECIFIED: 0 PLC ±- 1 PLC ±.3 2 PLC ±.25 3 PLC ±- 4 PLC ±- ANGLES ±2	PRODUCT SPEC - APPLICATION SPEC - WEIGHT -	NAME TERMINAL BLOCK VERTICAL PLUG STACKING LEFT HAND 5.0mm PITCH
MATERIAL -	FINISH -	CUSTOMER DRAWING	SIZE A3 CAGE CODE 00779 DRAWING NO C-1546118 RESTRICTED TO - SCALE 3:1 SHEET 2 OF 2 REV A