

GENERAL SPECIFICATION

Item	Content
Number of Character	240x64
Module Size	180.0(W)x65.0(H)x9.9/16.1(D)mm Max
Viewing Area	132.0(W)x39.0(H)mm
Dot Size/Dot Pitch	0.51(W)x0.51(H)mm/0.53(W)x0.53(H)mm
Backlight	Without/EL/LED
Options	Black & White Positive/Negative/Gray STN/Yellow STN/Wide Temperature/Top/Bottom Viewing
Built-in Controller	T6963C

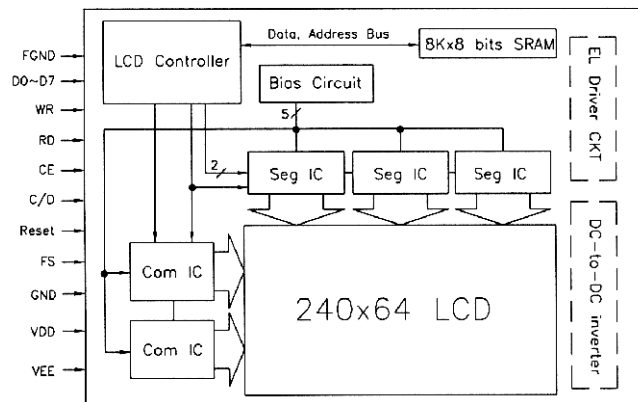
INTERFACE PIN ASSIGNMENT

Pin No.	Pin Out	Function Description
1	FGND	Frame Ground
2	V _{SS}	GND
3	V _{DD}	Logic supply voltage
4	V _{EE}	LCD driver supply voltage
5	WR	Write Data
6	RD	Read Data
7	CE	Chip Enable
8	C/D	Common/Data Register select
9	NC	No connection
10	RES	Reset
11~18	DB0~DB7	data bus
19	FS	Font select. H=6x8 dot matrix, L=8x8 dot matrix
20	NC	No connection

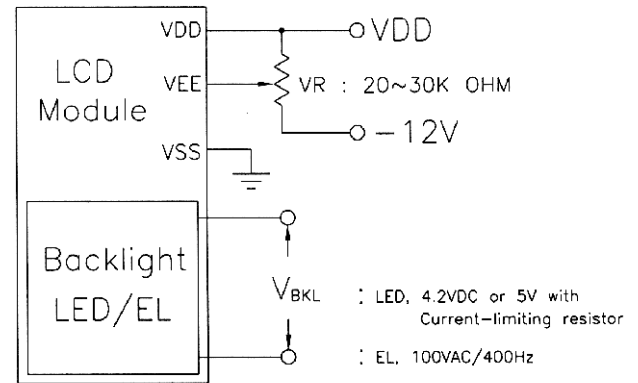
ELECTRICAL CHARACTERISTICS

Item	Symbol	Condition	Min.	Typ	Max.	Unit	note
Power Supply for Logic	V _{DD} -V _{SS}	-	4.5	5.0	5.5	Volt	-
Input Voltage	V _{IL}	L level	V _{SS}	0.2V _{DD}	-		
	V _{IH}	H level	0.8V _{DD}	V _{DD}	-		
LCM Recommend LCD Module Driving Voltage	V _{DD} -V _{EE}	Ta=0°C	-	-	-	Volt	-
		Ta=25°C	12.4	12.8	13.2		
		Ta=50°C	-	-	-		
Power Supply Current for LCM	I _{DD} (EL B/L OFF)	V _{DD} =5.0V V _{DD} -V _{EE} =12.8V FLM=64Hz	-	12	15	mA	-
	I _{EE}	V _{LED} =4.2V	-	1.5	3.0		
	I _{LED}	V _{LED} =4.2V	-	660	990		

BLOCK DIAGRAM



POWER SUPPLY



MECHANICAL

