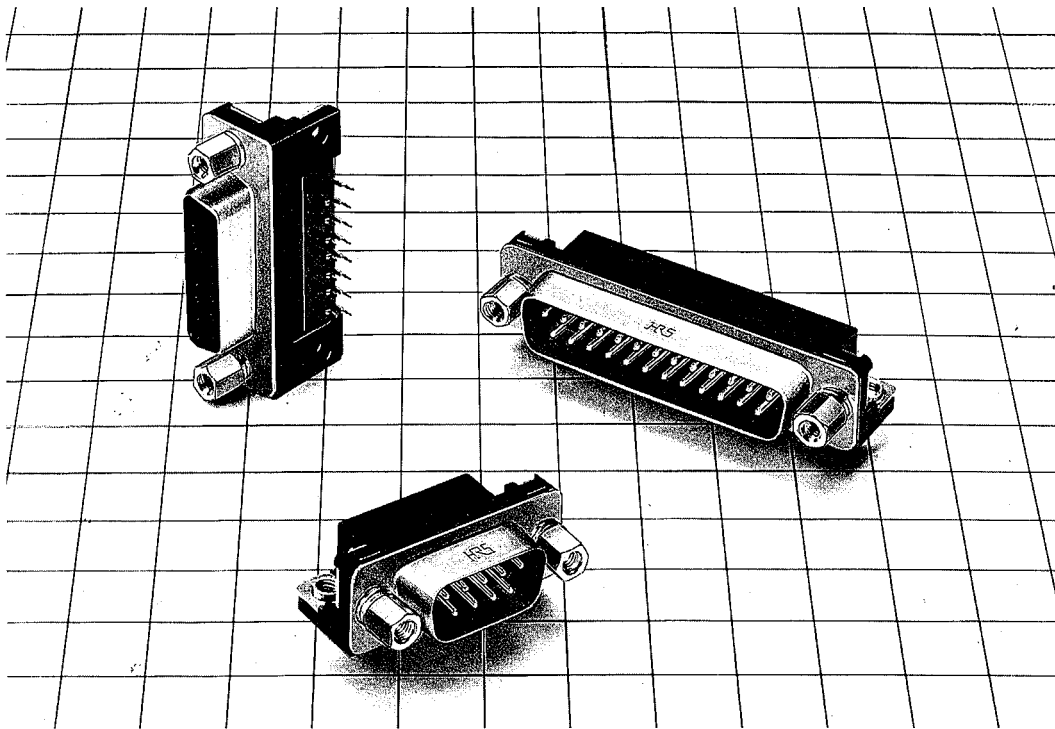


# RD\*F SERIES "D" SUB RANGE WITH FERRITE

## General

RD\*F Series connectors are a new derivative of our D Sub Range. These connectors are fitted with an inner Ferrite core provided for protection from EMI. These are available in 9, 15, and 25 positions. (The 15 and 25 contact versions is only available with female contacts).



## Features

1. The Ferrite effectively attenuates conduction noise.
2. Same installation dimensions and printed circuit board size as the conventional RD\*D series connectors.

## Applications

Communications equipment modems, and various peripheral equipment, control devices, etc.  
electronic equipment including computers and

## Electrical and Environmental

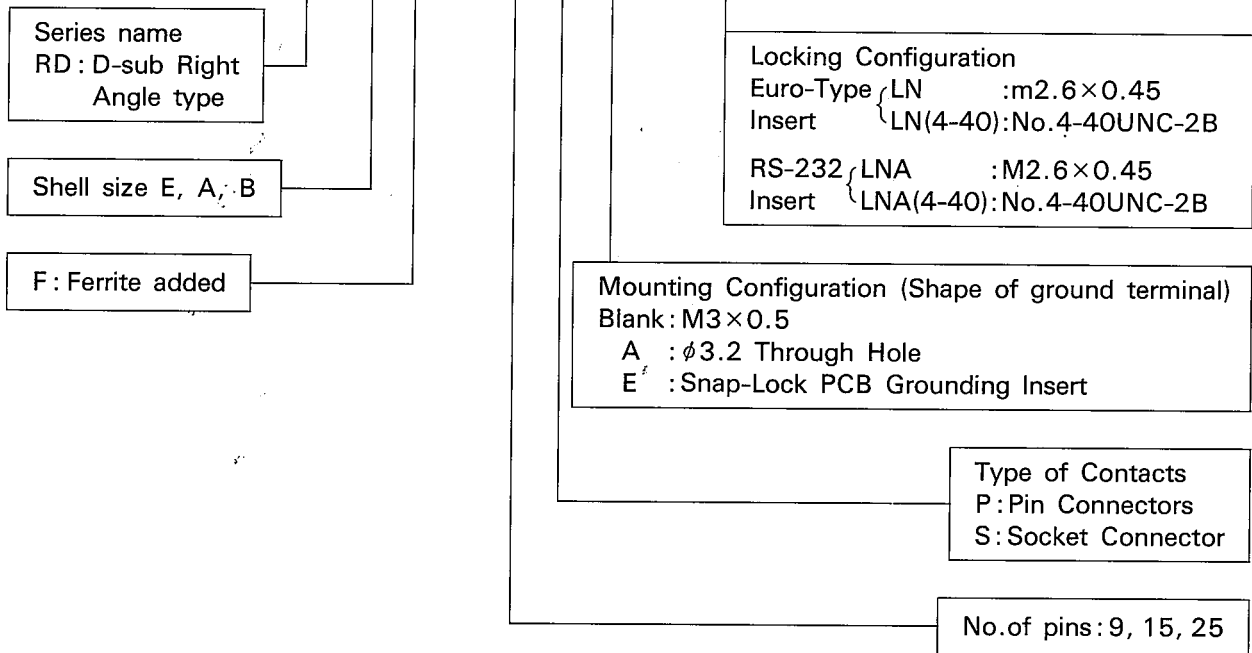
Electrical and Environmental Characteristics	
Current capacity	3A
Rated voltage	AC 100V
Insulation resistance	1M $\Omega$ or higher at DC 500V
Contact resistance	25m $\Omega$ or less at DC 100mA
Withstand voltage	1 minute at AC 1250Vrms

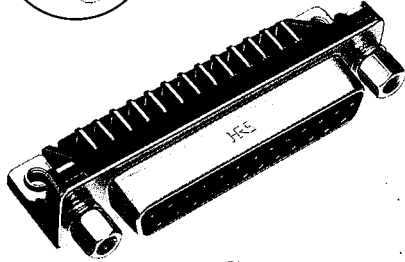
Item Material Finish		
Shell	Steel	Nickel plating
Insulator	PBT*	Black
Contacts	Phosphor bronze	Selective gold plating over nickel + solder-plated

\*UI94V-0

## Ordering Information

**R D B F - 25 S A - L N**





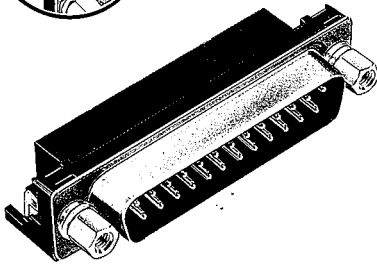
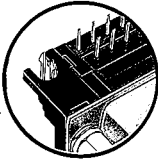
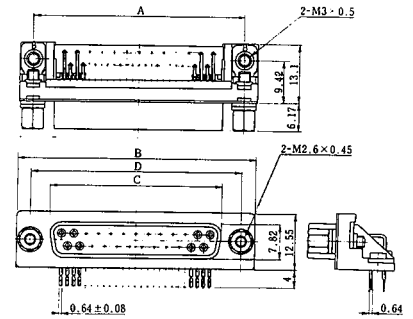
CL211-0861-1  
RDBF-25S-LNA

Hexagonal-mating threaded holes:  $M2.6 \times 0.45$  (metric)  
Ground terminal (PCB-mounting):  $M3 \times 0.52$

HRS No.	No. of Pin	Part No.
CL211-0859-0	9	RDEF-9S-LNA
CL211-0860-9	15	RDAF-15S-LNA
CL211-0861-1	25	RDBF-25S-LNA

**Dimensions** (Unit: mm)

No. of Pin	A	B	C	D
9	24.99	30.81	16.4	24.99
15	33.32	39.14	24.59	33.32
25	47.04	53.04	38.3	47.04



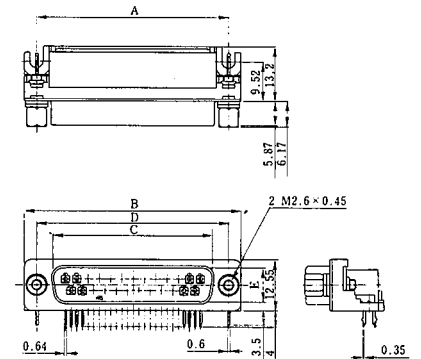
CL211-5030-9  
RDBF-25PE-LNA

Rectangular-mating threaded holes:  $M2.6 \times 0.45$  (metric)  
Ground terminal (PCB-mounting): Fitted with a simple lock pin for temporary locking on a PCB.

HRS No.	No. of Pin	Part No.
CL211-0966-0	9	RDEF-9P-LNA
CL211-5085-0		RDEF-9PE-LNA
CL211-5030-9	25	RDBF-25PE-LNA

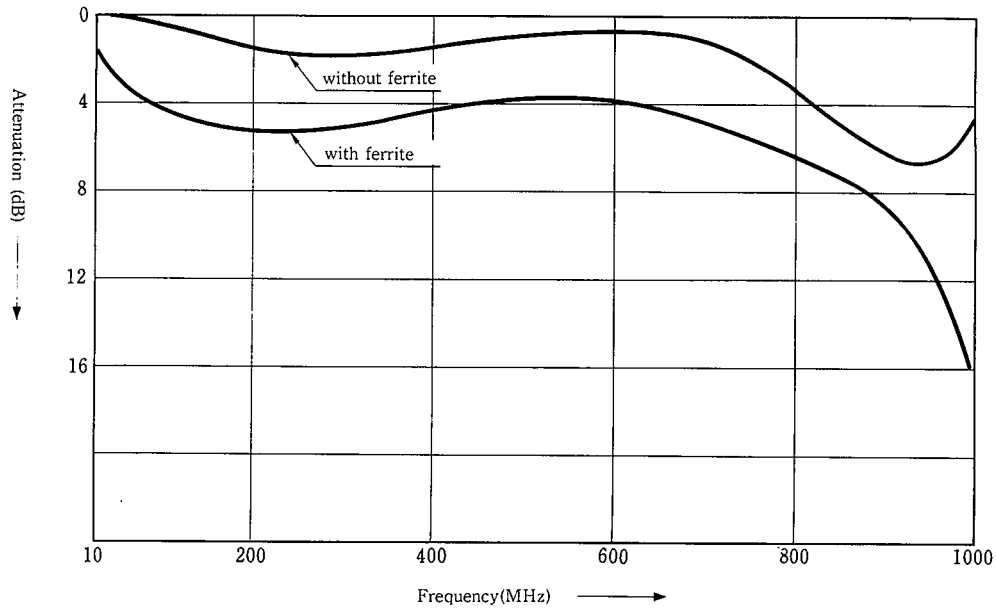
**Dimensions** Unit: mm

No. of Pin	A	B	C	D	E
9	24.99	30.81	16.9	24.99	8.34
25	47.04	53.04	39.01	47.04	8.4

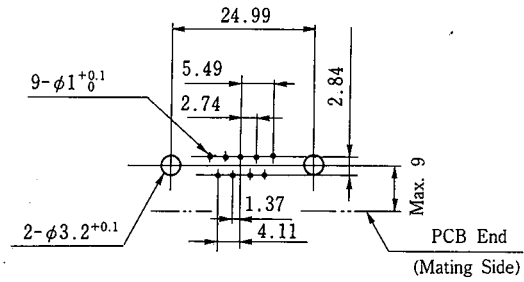


Note: Ground terminal (PCB-mounting) for RDEF-9P-LNA:  $M3 \times 0.5$

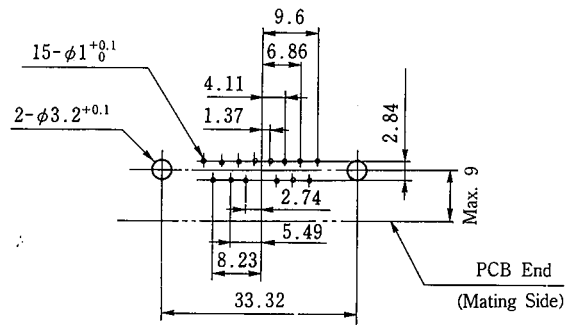
## Characteristics of Attenuation



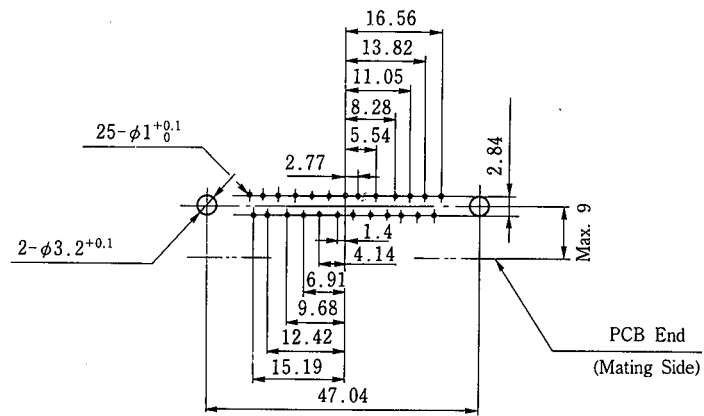
● Recommended PC Board Hole Pattern(mm)



RDEF-9

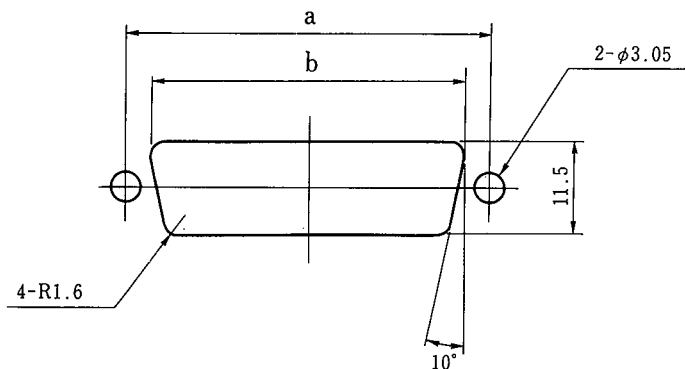


RDAF-15



RDBF-25

● Mounting Cutout



Shell size	a	b	c
E	24.99	20.2	11.5
A	33.32	28.6	11.5
B	47.04	42.5	11.5