

**PLEASE CHECK WWW.MOLEX.COM FOR LATEST PART INFORMATION**

**Part Number:** [0192150050](#)  
**Status:** **Active**  
**Description:** VersaKrimp™ Parallel Splice for 4/0 AWG Wire

**Documents:**

[Drawing \(PDF\)](#) [RoHS Certificate of Compliance \(PDF\)](#)

**Agency Certification**

UL E32244

**General**

Product Family Splices  
 Series [19215](#)  
 Crimp Quality Equipment Yes  
 Mil-Spec N/A  
 Product Name Parallel, VersaKrimp™

**Physical**

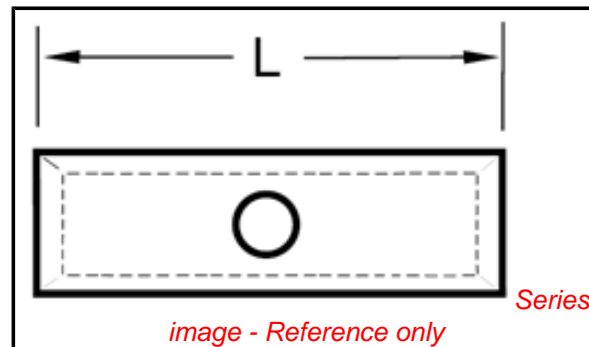
Barrel Type Closed - Brazed  
 Insulation None  
 Packaging Type Bag  
 Wire Size AWG 4/0

**Material Info**

Old Part Number L-379

**Reference - Drawing Numbers**

Sales Drawing SD-19205-007



**EU RoHS**

**ELV and RoHS  
Compliant**

**REACH SVHC**

Not Reviewed

**Halogen-Free**

**Status**

**Not Reviewed**

**China RoHS**



**Need more information on product  
environmental compliance?**

Email [productcompliance@molex.com](mailto:productcompliance@molex.com)  
 For a multiple part number RoHS Certificate of  
 Compliance, [click here](#)

Please visit the [Contact Us](#) section for any  
 non-product compliance questions.

**Search Parts in this Series**

[19215Series](#)

**Application Tooling | FAQ**

*Tooling specifications and manuals are  
 found by selecting the products below.  
 Crimp Height Specifications are then  
 contained in the Application Tooling  
 Specification document.*

**Global**

Description	Product #
Die Set (large) for the HHLS Hydraulic Crimper	<a href="#">0192900031</a>
Manual tool for Crimping non- insulated 8AWG thru 4/0 Terminals	<a href="#">0192940008</a>

19205

6	5	4	3	2	1
MATERIAL NO.	ENG. NO.	WIRE SIZE	I.D. MIN.	O.D. MAX.	"L" (E)
192070001	AS-302	22-18	.060/1.50	.130/3.30	.305/.325 (7.75/8.26)
192050001	BS-304	16-14	.091/2.30	.160/4.10	.295/.315 (7.50/8.00)
192050003	CS-303	12-10	.130/3.30	.225/5.70	.295/.315 (7.50/8.00)
192050004	D-355	8	.165/4.20	.295/7.50	.360/.390 (9.14/9.91)
192050006	E-361	6	.230/5.80	.374/9.50	.430/.460 (10.92/11.68)
192050007	F-365	4	.277/7.00	.457/11.60	.500/.530 (12.70/13.46)
192050008	G-373	2	.357/9.00	.538/13.70	.635/.665 (16.13/16.89)
192050009	H-384	1/0	.439/11.20	.620/15.70	.735/.765 (18.67/19.43)
192050010	J-389	2/0	.496/12.60	.697/17.70	.725/.755 (18.42/19.18)
192150049	K-394	3/0	.545/13.80	.760/19.30	.735/.765 (18.67/19.43)
192150050	L-379	4/0	.621/15.80	.860/21.80	.760/.790 (19.30/20.07)

D

D

C

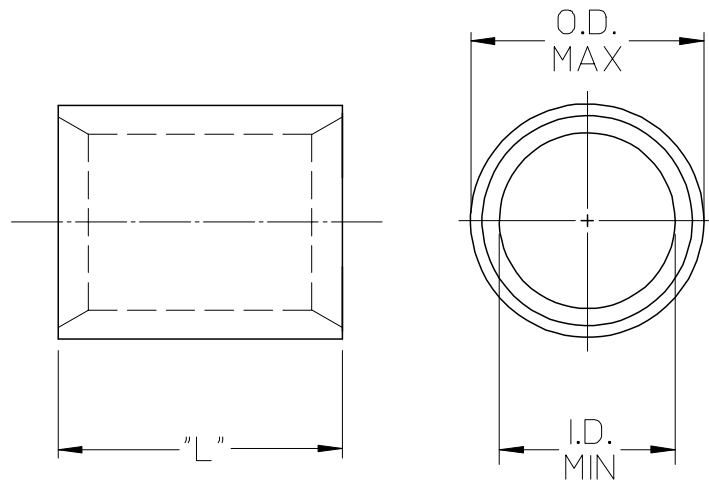
C

B

B

NOTE(S):

1. MATERIAL: COPPER
2. PLATING: ELECTRO-TIN



SALES DRAWING

A

A

REV'D "L" DIM EC NO: ETC2008-0020 DRWN:RSTONE 2007/08/17 CHKD:JMACNEIL 2007/08/20 APPR:JMACNEIL 2007/08/20	QUALITY SYMBOLS	GENERAL TOLERANCES (UNLESS SPECIFIED)		SCALE 2:1	DESIGN UNITS INCH	THIRD ANGLE PROJECTION	REVISE ON CAD ONLY		
		4 PLACES ± --- ± ---	DIMENSION STYLE IN/MM		DRAWN BY DATE		TITLE VERSAKRIMP SEAMLESS PARALLEL CONNECTORS		
		3 PLACES ± --- ± ---	DRAWN BY DATE		DLM 03/07/08				
		2 PLACES ± --- ± ---	CHECKED BY DATE		HEB 03/07/08		MATERIAL NO. (SEE CHART) SD-19205-007		
		1 PLACE ± --- ± ---	ANGULAR ±1/2°		APPROVED BY DATE				
	DRAFT WHERE APPLICABLE MUST REMAIN WITHIN DIMENSIONS		RWD 03/07/08		HEB 03/07/08		1 OF 1		



THIS DRAWING CONTAINS INFORMATION THAT IS PROPRIETARY TO MOLEX INCORPORATED AND SHOULD NOT BE USED WITHOUT WRITTEN PERMISSION

A

5

4

3

2

1