

PLEASE CHECK WWW.MOLEX.COM FOR LATEST PART INFORMATION

Part Number: [0510520700](#)
Status: **Active**
Description: 2.50mm (.098") Pitch Cable Holder, Vertical, for Ribbon Cable, 7 Circuits

Documents:

[3D Model](#) [Product Specification PS-51052-002 \(PDF\)](#)
[Drawing \(PDF\)](#) [RoHS Certificate of Compliance \(PDF\)](#)
[Product Specification PS-51052-001 \(PDF\)](#)

General

Product Family Ribbon Cable / Wire Trap Connectors
 Series [51052](#)
 Component Type One Piece
 Glow-Wire Compliant No
 Product Name Board-In, Cable Holder

Physical

Circuits (Loaded) 7
 Color - Resin Natural
 Entry Angle Vertical
 Lock to Mating Part None
 Material - Resin Nylon
 Number of Rows 1
 PCB Retention Yes
 PCB Thickness Recommended (in) 0.062 In
 PCB Thickness Recommended (mm) 1.60 mm
 Packaging Type Bag
 Pitch - Mating Interface (in) 0.098 In
 Pitch - Mating Interface (mm) 2.50 mm
 Polarized to Mating Part N/A
 Polarized to PCB No
 Stackable No
 Surface Mount Compatible (SMC) No
 Temperature Range - Operating -40°C to +105°C
 Wire Insulation Diameter 1.70mm (.067") max.
 Wire Size AWG 24, 26
 Wire/Cable Type Ribbon Cable

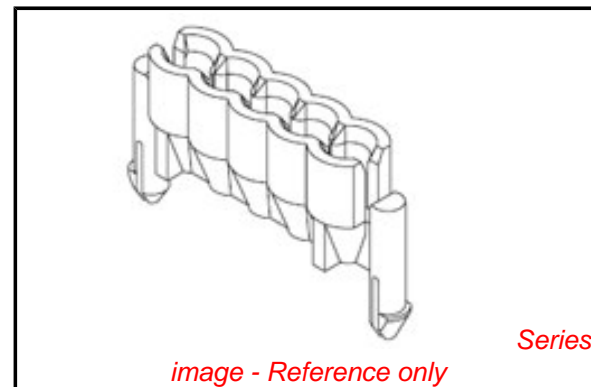
Electrical

Current - Maximum per Contact N/A
 Voltage - Maximum N/A

Material Info

Reference - Drawing Numbers

Product Specification PS-51052-001, PS-51052-002, RPS-51052-003
 Sales Drawing SD-51052-001



EU RoHS

**ELV and RoHS
 Compliant**
**REACH SVHC
 Contains SVHC: No**
**Halogen-Free
 Status
 Not Reviewed**

China RoHS



**Need more information on product
 environmental compliance?**

Email productcompliance@molex.com
 For a multiple part number RoHS Certificate of
 Compliance, [click here](#)

Please visit the [Contact Us](#) section for any
 non-product compliance questions.

Search Parts in this Series

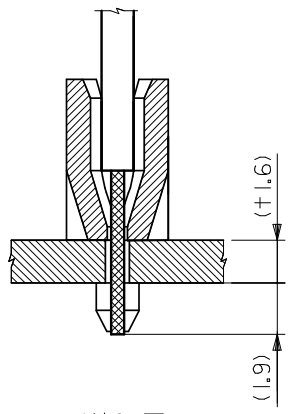
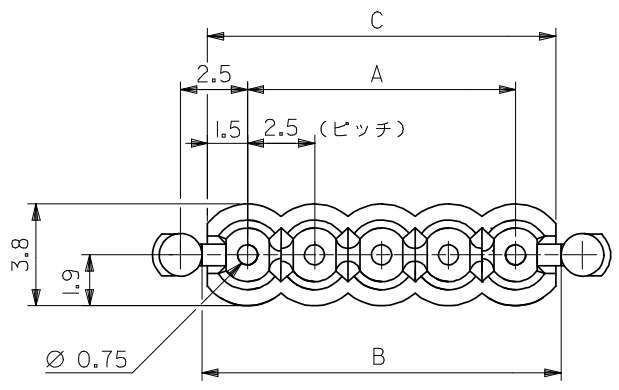
[51052Series](#)

Mates With

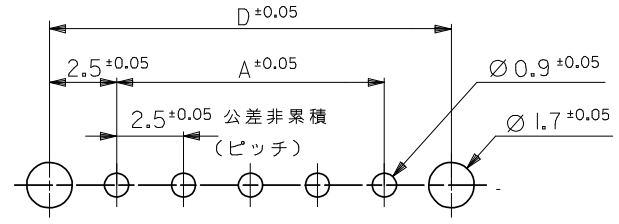
N/A

Use With

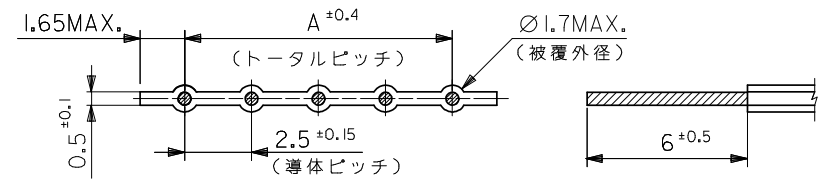
Topcoated ribbon cable



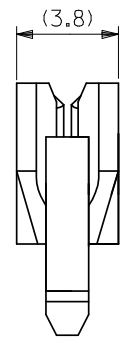
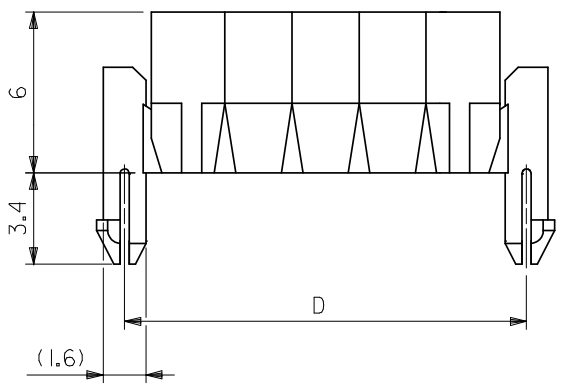
電線挿入図



基板取付穴推奨寸法
(+1.6±0.05)



適合電線推奨寸法

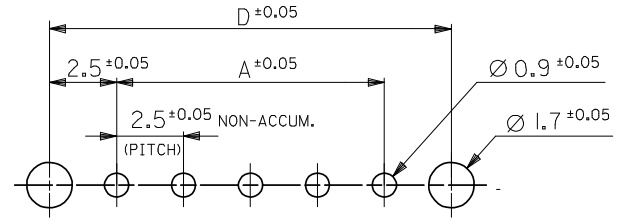
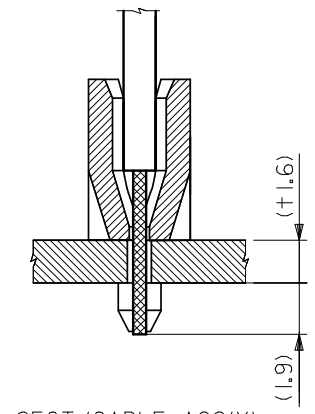
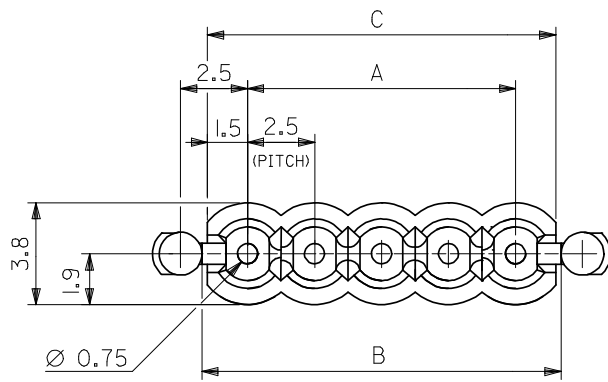


注記

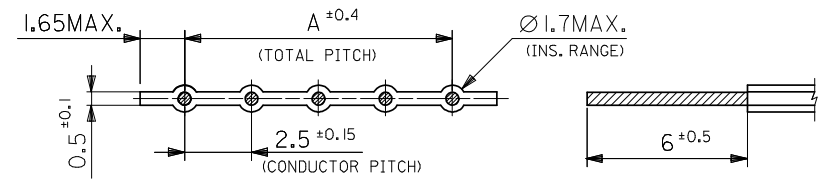
1. 材料：ナイロン66, UL 94V-2
2. 適合電線：2.5mmピッチリボンケーブル
AWG #24 ~ 26 錫コート平行線
3. 生産国 (トレードマーク)：日本 (MXJ-大和, MXH-塩谷)
マレーシア (MXL)

| | | | | | | |
|------|------|------|------|----|-----------------------|----|
| 42.5 | 40.5 | 40.9 | 37.5 | VO | 51052-1600 | 16 |
| 40.0 | 38.0 | 38.4 | 35.0 | VO | 1500 | 15 |
| 37.5 | 35.5 | 35.9 | 32.5 | VO | 1400 | 14 |
| 35.0 | 33.0 | 33.4 | 30.0 | VO | 1300 | 13 |
| 32.5 | 30.5 | 30.9 | 27.5 | VO | 1200 | 12 |
| 30.0 | 28.0 | 28.4 | 25.0 | VO | 1100 | 11 |
| 27.5 | 25.5 | 25.9 | 22.5 | VO | 1000 | 10 |
| 25.0 | 23.0 | 23.4 | 20.0 | VO | 0900 | 9 |
| 22.5 | 20.5 | 20.9 | 17.5 | VO | 0800 | 8 |
| 20.0 | 18.0 | 18.4 | 15.0 | VO | 0700 | 7 |
| 17.5 | 15.5 | 15.9 | 12.5 | VO | 0600 | 6 |
| 15.0 | 13.0 | 13.4 | 10.0 | VO | 0500 | 5 |
| 12.5 | 10.5 | 10.9 | 7.5 | VO | 0400 | 4 |
| 10.0 | 8.0 | 8.4 | 5.0 | | -0300 | 3 |
| 7.5 | 5.5 | 5.9 | 2.5 | VO | 51052-0200 | 2 |
| D | C | B | A | | ENG. NO. | 極数 |

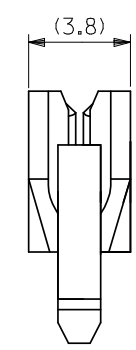
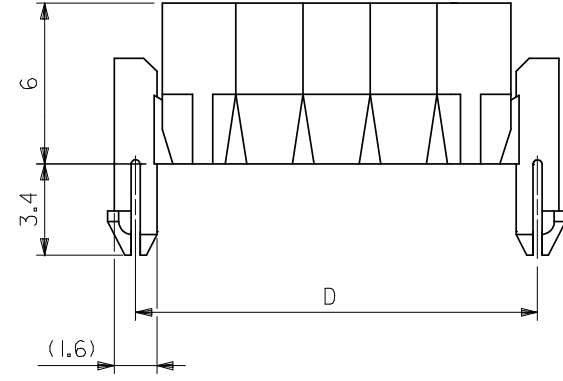
| | | | | | | | |
|---|---------------------------------------|-----------|-----------------------------|--------------|--|------------------------|------------------------|
| REVISED EC NO: J2008-2948 DRW: NAKAMURAA 2008/03/31 CHK: T. HARUYAMA 2008/04/22 APPR: NUKITA 2008/06/03 | GENERAL TOLERANCES (UNLESS SPECIFIED) | | DIMENSION STYLE MM ONLY | | SCALE 5:1 | DESIGN UNITS METRIC | THIRD ANGLE PROJECTION |
| | 10 UNDER | ±0.2 | DRAWN BY T. ITOH | | TITLE 2.5MM PITCH CABLE HOLDER (FOR 6 MM STRIP LENGTH) | | |
| | 10 OVER 30 UNDER | ±0.25 | CHECKED BY M. FUKUSHIMA | | DATE '97/7/4 | | |
| | 30 OVER | ±0.3 | APPROVED BY M. FUKUSHIMA | | DATE '97/7/4 | | |
| | ANGULAR ±3° | | MATERIAL NO. | | DOCUMENT NO. | | SHEET NO. |
| DRAFT WHERE APPLICABLE MUST REMAIN WITHIN DIMENSIONS | | SEE TABLE | | SD-51052-001 | | 1 OF 2 | |
| THIS DRAWING CONTAINS INFORMATION THAT IS PROPRIETARY TO MOLEX INCORPORATED AND SHOULD NOT BE USED WITHOUT WRITTEN PERMISSION | | | | | | | |



RECOMMENDED P.C. BOARD HOLE DIM.
($\pm 1.6 \pm 0.05$)



RECOMMENDED WIRE DIM.



NOTES

- MATERIAL : NYLON 66, UL 94V-2
- APPLIED WIRE : 2.5mm PITCH RIBBON CABLE
AWG#24~26
TIN TOP COATED WIRE
- PLACE OF MANUFACTURE (TRADE-MARK) :
JAPAN (MXJ-YAMATO, MXH-SHIOYA)
MALAYSIA (MXL)

| | | | | | | |
|------|------|------|------|----|-----------------------|------|
| 42.5 | 40.5 | 40.9 | 37.5 | VO | 51052-1600 | 16 |
| 40.0 | 38.0 | 38.4 | 35.0 | VO | 1500 | 15 |
| 37.5 | 35.5 | 35.9 | 32.5 | VO | 1400 | 14 |
| 35.0 | 33.0 | 33.4 | 30.0 | VO | 1300 | 13 |
| 32.5 | 30.5 | 30.9 | 27.5 | VO | 1200 | 12 |
| 30.0 | 28.0 | 28.4 | 25.0 | VO | 1100 | 11 |
| 27.5 | 25.5 | 25.9 | 22.5 | VO | 1000 | 10 |
| 25.0 | 23.0 | 23.4 | 20.0 | VO | 0900 | 9 |
| 22.5 | 20.5 | 20.9 | 17.5 | VO | 0800 | 8 |
| 20.0 | 18.0 | 18.4 | 15.0 | VO | 0700 | 7 |
| 17.5 | 15.5 | 15.9 | 12.5 | VO | 0600 | 6 |
| 15.0 | 13.0 | 13.4 | 10.0 | VO | 0500 | 5 |
| 12.5 | 10.5 | 10.9 | 7.5 | VO | 0400 | 4 |
| 10.0 | 8.0 | 8.4 | 5.0 | | -0300 | 3 |
| 7.5 | 5.5 | 5.9 | 2.5 | VO | 51052-0200 | 2 |
| D | C | B | A | | ENG. NO. | CKT. |

| | | | | | | | | |
|--|---------------------------------------|------------|--|--|--|------------------------|------------------------------|--|
| REVISED EC NO: J2008-2948 DRW: NAKAMURAA 2008/03/31 CHKD: T. HARUYAMA 2008/04/22 APPR: NUKITA 2008/06/03 | GENERAL TOLERANCES (UNLESS SPECIFIED) | | DIMENSION STYLE MM ONLY | | SCALE 5:1 | DESIGN UNITS METRIC | THIRD ANGLE PROJECTION | |
| | 10 UNDER | ± 0.2 | DRAWN BY T. ITOH | | TITLE 2.5MM PITCH CABLE HOLDER (FOR 6MM STRIP LENGTH) | | | |
| | 10 OVER 30 UNDER | ± 0.25 | CHECKED BY M. FUKUSHIMA | | DATE '97/7/4 | | | |
| | 30 OVER | ± 0.3 | APPROVED BY M. FUKUSHIMA | | DATE '97/7/4 | | | |
| | ANGULAR $\pm 3^\circ$ | | DRAFT WHERE APPLICABLE MUST REMAIN WITHIN DIMENSIONS | | MATERIAL NO. SEE TABLE | | DOCUMENT NO. SD-51052-001 | |