

TLP715

Isolated Bus Drivers

High Speed Line Receivers

Microprocessor System Interfaces

The Toshiba TLP715 consists of a GaAlAs light-emitting diode and an integrated high-gain, high-speed photodetector. This unit is a 6-pin SDIP. The TLP715 is 50% smaller than the 8-PIN DIP and meets the reinforced insulation class requirements of international safety standards. Therefore the mounting area can be reduced in equipment requiring safety standard certification.

The detector has a totem pole output stage to provide both source and sink driving. The detector IC has an internal shield that provides a guaranteed common-mode transient immunity of 10 kV / μ s.

The TLP715 is buffer logic type. For inverter logic type, the TLP718 is in line-up.

- Buffer logic output (totem pole output)
- Guaranteed performance over temperature : -40 to 100°C
- Power supply voltage : 4.5 to 20 V
- Input current: $I_{FLH} = 3\text{mA}$ (Max)
- Switching time (t_{pLH} / t_{pHL}) : 250 ns (Max)
- Common-mode transient immunity : $\pm 10\text{ kV} / \mu\text{s}$ (Min)
- Isolation voltage : 5000 Vrms (Min)
- UL recognized
UL1577, File No.E67349
- c-UL recognized
CSA Component Acceptance Service No. 5A, File No.E67349
- Option (D4)
TÜV recognized / VDE under application : DIN EN60747-5-5

Maximum Operating Insulation Voltage : 890 V_{PK}

Highest Permissible Over Voltage : 8000 V_{PK}

(Note) : When a EN60747-5-5 approved type is needed, Please designate "Option(D4)"

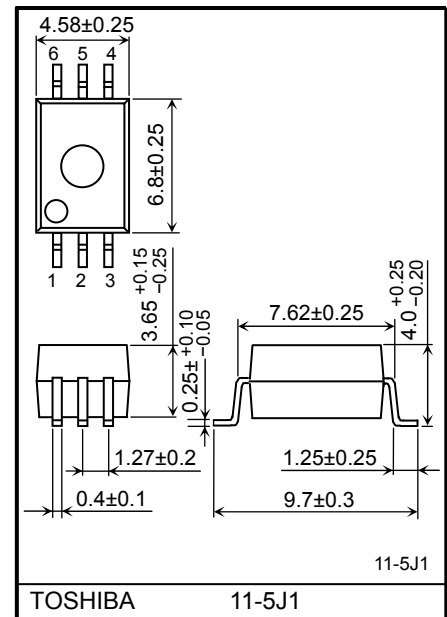
- Construction Mechanical Rating

	7.62 mm pitch TLPXXX type	10.16 mm pitch TLPXXXF type
Creepage Distance	7.0 mm (Min)	8.0 mm (Min)
Clearance	7.0 mm (Min)	8.0 mm (Min)
Insulation Thickness	0.4 mm (Min)	0.4 mm (Min)

Truth Table

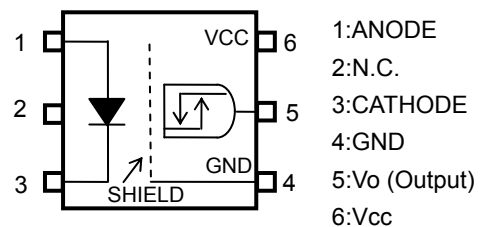
Input	LED	Tr1	Tr2	Output
H	ON	ON	OFF	H
L	OFF	OFF	ON	L

Unit in mm

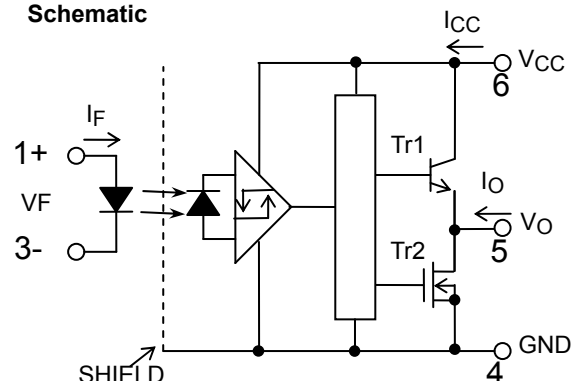


Weight:0.26 g (typ.)

Pin Configuration (Top View)



Schematic



0.1 μ F bypass capacitor must be connected between pins 6 and 4. (Note 5)

Absolute Maximum Ratings (Ta = 25°C)

CHARACTERISTIC		SYMBOL	RATING	UNIT
LED	Forward Current (Ta ≤ 83°C)	IF	20	mA
	Forward Current Derating (Ta ≥ 83°C)	ΔIF/ΔTa	-0.48	mA/°C
	Peak Transient Forward Current (Note 1)	IFPT	1	A
	Reverse Voltage	VR	5	V
	Junction Temperature	Tj	125	°C
DETECTOR	Output Current 1 (Ta ≤ 25°C)	IO1	25 / -15	mA
	Output Current 2 (Ta ≤ 100°C)	IO2	13 / -13	mA
	Output Voltage	VO	-0.5 to 20	V
	Supply Voltage	VCC	-0.5 to 20	V
	Junction Temperature	Tj	125	°C
Operating Temperature Range		Topr	-40 to 100	°C
Storage Temperature Range		Tstg	-55 to 125	°C
Lead Solder Temperature (10 s)		Tsol	260	°C
Isolation Voltage (AC, 1 min., R.H. ≤ 60%, Ta = 25°C) (Note 2)		BVs	5000	Vrms

Note: Using continuously under heavy loads (e.g. the application of high temperature/current/voltage and the significant change in temperature, etc.) may cause this product to decrease in the reliability significantly even if the operating conditions (i.e. operating temperature/current/voltage, etc.) are within the absolute maximum ratings.

Please design the appropriate reliability upon reviewing the Toshiba Semiconductor Reliability Handbook ("Handling Precautions"/"Derating Concept and Methods") and individual reliability data (i.e. reliability test report and estimated failure rate, etc).

Note 1: Pulse width $PW \leq 1\mu s$, 300pps.

Note 2: Device Considered a two terminal device : pins 1,2 and 3 shorted together and pins 4,5 and 6 shorted together.

Recommended Operating Conditions

CHARACTERISTIC	SYMBOL	MIN	TYP.	MAX	UNIT
Input Current, ON	IF (ON)	4.5	-	10	mA
Input Voltage, OFF	VF (OFF)	0	-	0.8	V
Supply Voltage*	VCC	4.5	-	20	V
Operating Temperature	Topr	-40	-	100	°C

* This item denotes operating ranges, not meaning of recommended operating conditions.

Note: Recommended operating conditions are given as a design guideline to obtain expected performance of the device. Additionally, each item is an independent guideline respectively. In developing designs using this product, please confirm specified characteristics shown in this document.

Electrical Characteristics

(Unless otherwise specified, $T_a = -40$ to 100°C , $V_{CC} = 4.5$ to 20 V.)

CHARACTERISTIC	SYMBOL	TEST CIRCUIT	CONDITION	MIN	TYP. *	MAX	UNIT	
Input forward voltage	V_F	-	$I_F = 5$ mA, $T_a = 25^\circ\text{C}$	1.4	1.6	1.7	V	
Temperature coefficient of forward voltage	$\Delta V_F / \Delta T_a$	-	$I_F = 5$ mA	-	-2.0	-	mV/ $^\circ\text{C}$	
Input reverse current	I_R	-	$V_R = 5$ V, $T_a = 25^\circ\text{C}$	-	-	10	μA	
Input capacitance	C_T	-	$V = 0$ V, $f = 1$ MHz, $T_a = 25^\circ\text{C}$	-	45	-	pF	
Logic LOW output voltage	V_{OL}	1	$I_{OL} = 3.5$ mA, $V_F = 0.8$ V	-	0.2	0.6	V	
Logic HIGH output voltage	V_{OH} (Note3)	2	$I_{OH} = -2.6$ mA, $V_{CC} = 4.5$ V $I_F = 5$ mA	2.7	3.5	-	V	
			$V_{CC} = 20$ V	17.4	19	-		
Logic LOW supply current	I_{CCL}	3	$V_F = 0$ V	-	-	3.0	mA	
Logic HIGH supply current	I_{CCH}	4	$I_F = 5$ mA	-	-	3.0	mA	
Logic LOW short circuit output current (Note4)	I_{OSL}	5	$V_F = 0$ V	$V_{CC} = V_O = 5.5$ V	15	80	-	mA
				$V_{CC} = V_O = 20$ V	20	90	-	
Logic HIGH short circuit output current (Note4)	I_{OSH}	6	$I_F = 5$ mA, $V_O = \text{GND}$	$V_{CC} = 5.5$ V	-5	-15	-	mA
				$V_{CC} = 20$ V	-10	-20	-	
Input current logic HIGH output	I_{FLH}	-	$I_O = -2.6$ mA, $V_O > 2.4$ V	-	0.4	3	mA	
Input voltage logic LOW output	V_{FHL}	-	$I_O = 3.5$ mA, $V_O < 0.6$ V	0.8	-	-	V	
Input current hysteresis	I_{HYS}	-	$V_{CC} = 5$ V	-	0.05	-	mA	

* All typical values are at $T_a = 25^\circ\text{C}$, $V_{CC} = 5$ V unless otherwise specified

Note 3: $V_{OH} = V_{CC} - V_O$ [V]

Note 4: Duration of output short circuit time should not exceed 10 ms.

Note 5: A ceramic capacitor (0.1 μF) should be connected from pin 6 to pin 4 to stabilize the operation of the high gain linear amplifier. Failure to provide the bypassing may impair the switching property. The total lead length between capacitor and coupler should not exceed 1 cm.

Isolation Characteristics ($T_a = 25^\circ\text{C}$)

CHARACTERISTIC	SYMBOL	TEST CONDITION	MIN	TYP.	MAX	UNIT
Capacitance input to output	C_S	$V = 0$ V, $f = 1$ MHz (Note 2)	-	1.0	-	pF
Isolation resistance	R_S	R.H. $\leq 60\%$, $V_S = 500$ V (Note 2)	1×10^{12}	10^{14}	-	Ω
Isolation voltage	BV_S	AC, 1 minute	5000	-	-	V_{rms}
		AC, 1 second, in oil	-	10000	-	
		DC, 1 minute, in oil	-	10000	-	Vdc

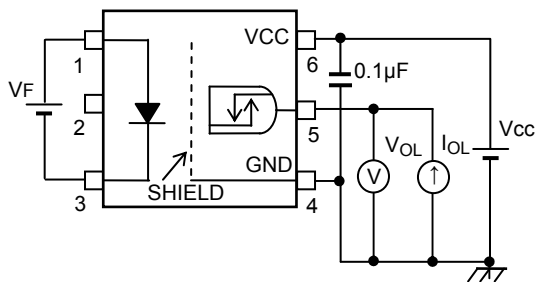
Switching Characteristics

(Unless otherwise specified, $T_a = -40$ to 100°C , $V_{CC} = 4.5$ to 20 V)

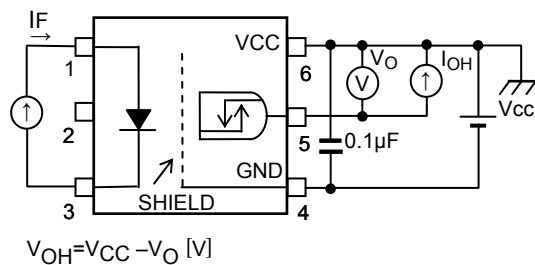
CHARACTERISTIC	SYMBOL	TEST CIRCUIT	CONDITION	MIN	TYP. *	MAX	UNIT
Propagation delay time to logic HIGH output	t_{pLH}	7,8	$I_F = 0 \rightarrow 3\text{ mA}$	30	120	250	ns
Propagation delay time to logic LOW output	t_{pHL}		$I_F = 3 \rightarrow 0\text{ mA}$	30	120	250	ns
Switching time dispersion between ON and OFF	$ t_{pLH} - t_{pHL} $		-	-	-	220	ns
Rise Time (10 – 90 %)	t_r		$I_F = 0 \rightarrow 3\text{ mA}$, $V_{CC} = 5\text{ V}$	-	30	-	ns
Fall Time (90 – 10 %)	t_f		$I_F = 3 \rightarrow 0\text{ mA}$, $V_{CC} = 5\text{ V}$	-	30	-	ns
Common-mode transient Immunity at HIGH level output	CM_H	9	$V_{CM} = 1000\text{ Vp-p}$, $I_F = 5\text{ mA}$, $V_{CC} = 20\text{ V}$, $T_a = 25^\circ\text{C}$	10000	-	-	V/ μs
Common-mode transient Immunity at LOW level output	CM_L		$V_{CM} = 1000\text{ Vp-p}$, $I_F = 0\text{ mA}$, $V_{CC} = 20\text{ V}$, $T_a = 25^\circ\text{C}$	-10000	-	-	V/ μs

*All typical values are at $T_a = 25^\circ\text{C}$.

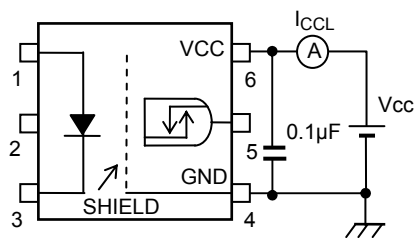
TEST CIRCUIT 1 : V_{OL}



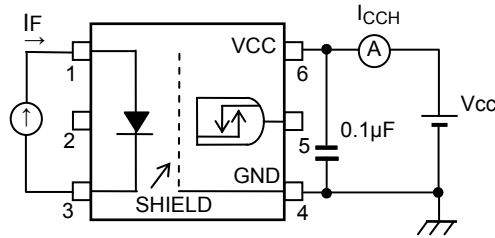
TEST CIRCUIT 2 : V_{OH}



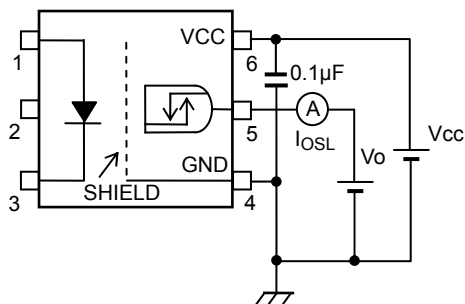
TEST CIRCUIT 3 : I_{CCL}



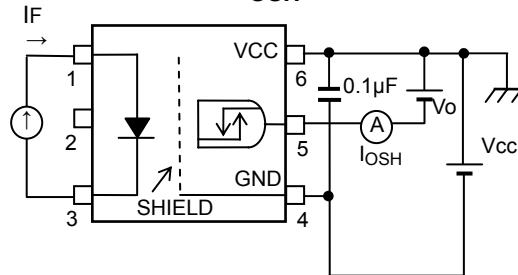
TEST CIRCUIT 4 : I_{CCH}



TEST CIRCUIT 5 : I_{OSL}

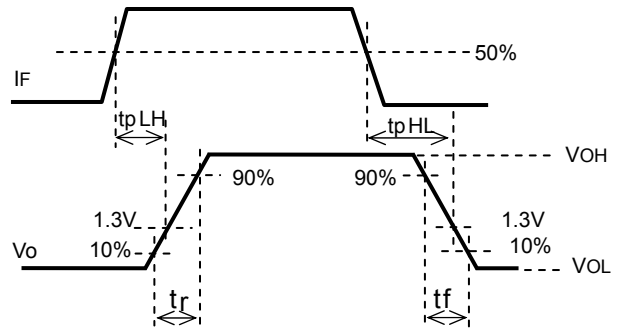
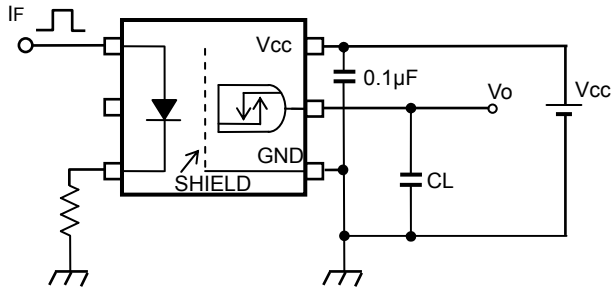


TEST CIRCUIT 6 : I_{OSH}



TEST CIRCUIT 7: Switching Time Test Circuit

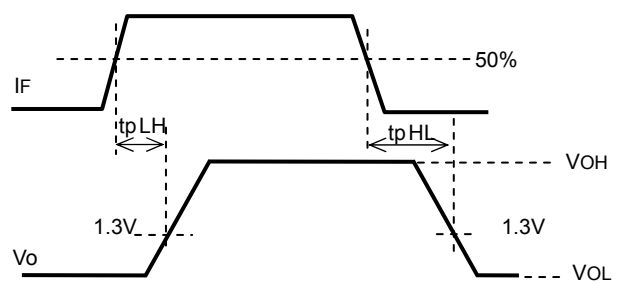
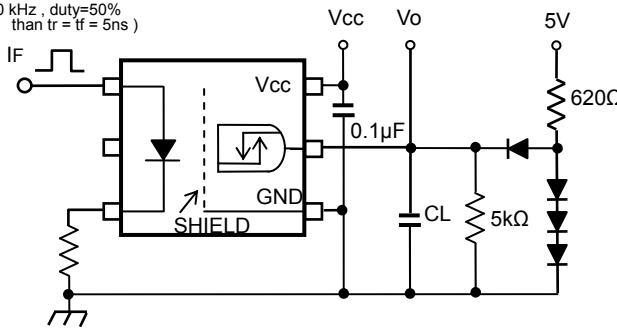
$I_F = 3 \text{ mA (P.G)}$
 ($f = 50 \text{ kHz}$, duty=50%
 less than $t_r = t_f = 5 \text{ ns}$)



CL: stray capacitance of probe and wiring (to 15 pF)

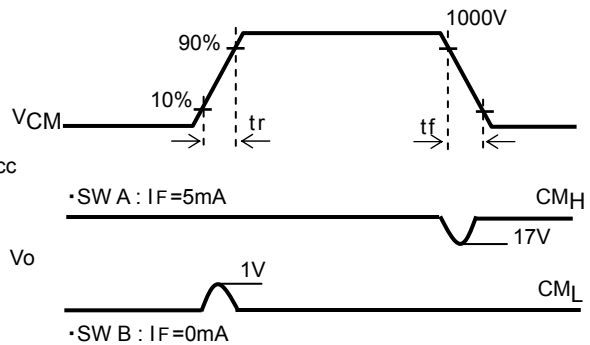
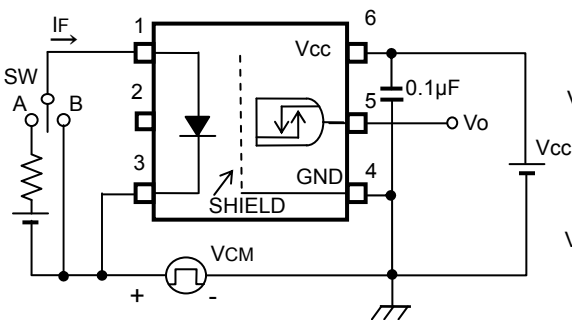
TEST CIRCUIT 8: Switching Time Test Circuit

$I_F = 3 \text{ mA (P.G)}$
 ($f = 50 \text{ kHz}$, duty=50%
 less than $t_r = t_f = 5 \text{ ns}$)



CL: stray capacitance of probe and wiring (to 15 pF)

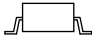
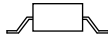
TEST CIRCUIT 9: Common-Mode Transient Immunity Test Circuit



$$CM_L = \frac{800(V)}{t_r(\mu s)} \quad CM_H = -\frac{800(V)}{t_f(\mu s)}$$

CM_H (CM_L) is the maximum rate of rise (fall) of the common mode voltage that can be sustained with the output voltage in the high (low) state.

Insulation Related Specifications

		 7.62mm pitch TLPxxx type	 10.16mm pitch TLPxxxF type
Minimum creepage distance	Cr	7.0mm	8.0mm
Minimum clearance	Cl	7.0mm	8.0mm
Minimum insulation thickness	ti	0.4mm	
Comperative tracking index	CTI	175	

1. If a printed circuit is incorporated, the creepage distance and clearance may be reduced below this value. (e.g.at a standard distance between soldering eye centres of 7.5mm). If this is not permissible, the user shall take suitable measures.
2. This photocoupler is suitable for 'safe electrical isolation' only within the safety limit data. Maintenance of the safety data shall be ensured by means of protective circuits.

Marking on product for EN60747 Option:(D4) : **4**

Marking Example :

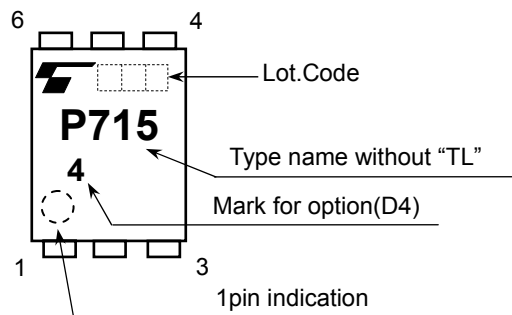


Figure 1 Partial discharge measurement procedure according to EN60747
Destructive test for qualification and sampling tests.

Method A

(for type and sampling tests,
destructive tests)

- t_1, t_2 = 1 to 10 s
- t_3, t_4 = 1 s
- t_p (Measuring time for partial discharge) = 10 s
- t_b = 12 s
- t_{ini} = 60 s

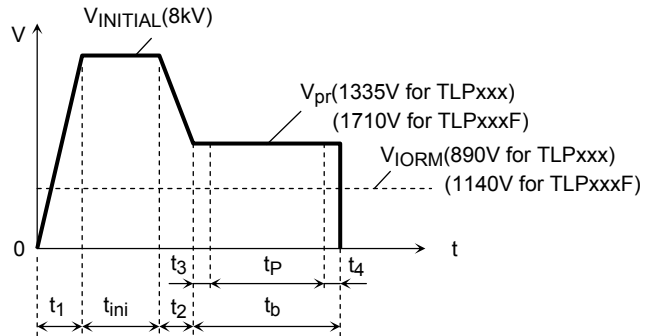


Figure 2 Partial discharge measurement procedure according to EN60747
Non-destructive test for 100% inspection.

Method B

(for sample test, non-destructive test)

- t_3, t_4 = 0.1 s
- t_p (Measuring time for partial discharge) = 1 s
- t_b = 1.2 s

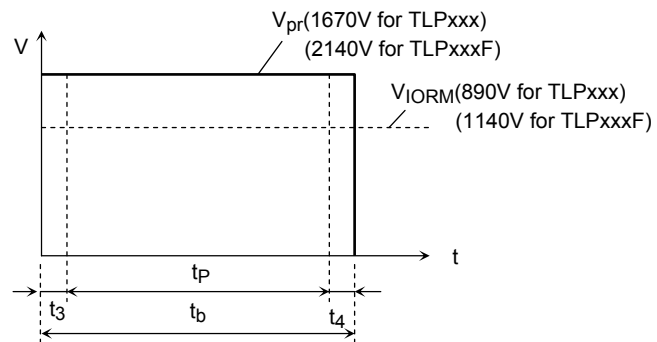
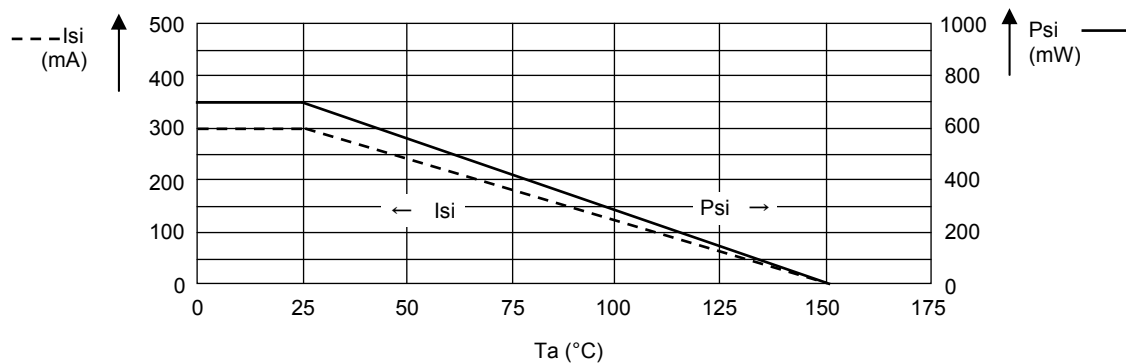


Figure 3 Dependency of maximum safety ratings on ambient temperature (for photodetector failure)



RESTRICTIONS ON PRODUCT USE

- Toshiba Corporation, and its subsidiaries and affiliates (collectively "TOSHIBA"), reserve the right to make changes to the information in this document, and related hardware, software and systems (collectively "Product") without notice.
- This document and any information herein may not be reproduced without prior written permission from TOSHIBA. Even with TOSHIBA's written permission, reproduction is permissible only if reproduction is without alteration/omission.
- Though TOSHIBA works continually to improve Product's quality and reliability, Product can malfunction or fail. Customers are responsible for complying with safety standards and for providing adequate designs and safeguards for their hardware, software and systems which minimize risk and avoid situations in which a malfunction or failure of Product could cause loss of human life, bodily injury or damage to property, including data loss or corruption. Before customers use the Product, create designs including the Product, or incorporate the Product into their own applications, customers must also refer to and comply with (a) the latest versions of all relevant TOSHIBA information, including without limitation, this document, the specifications, the data sheets and application notes for Product and the precautions and conditions set forth in the "TOSHIBA Semiconductor Reliability Handbook" and (b) the instructions for the application with which the Product will be used with or for. Customers are solely responsible for all aspects of their own product design or applications, including but not limited to (a) determining the appropriateness of the use of this Product in such design or applications; (b) evaluating and determining the applicability of any information contained in this document, or in charts, diagrams, programs, algorithms, sample application circuits, or any other referenced documents; and (c) validating all operating parameters for such designs and applications. **TOSHIBA ASSUMES NO LIABILITY FOR CUSTOMERS' PRODUCT DESIGN OR APPLICATIONS.**
- **PRODUCT IS NEITHER INTENDED NOR WARRANTED FOR USE IN EQUIPMENTS OR SYSTEMS THAT REQUIRE EXTRAORDINARILY HIGH LEVELS OF QUALITY AND/OR RELIABILITY, AND/OR A MALFUNCTION OR FAILURE OF WHICH MAY CAUSE LOSS OF HUMAN LIFE, BODILY INJURY, SERIOUS PROPERTY DAMAGE AND/OR SERIOUS PUBLIC IMPACT ("UNINTENDED USE").** Except for specific applications as expressly stated in this document, Unintended Use includes, without limitation, equipment used in nuclear facilities, equipment used in the aerospace industry, medical equipment, equipment used for automobiles, trains, ships and other transportation, traffic signaling equipment, equipment used to control combustions or explosions, safety devices, elevators and escalators, devices related to electric power, and equipment used in finance-related fields. **IF YOU USE PRODUCT FOR UNINTENDED USE, TOSHIBA ASSUMES NO LIABILITY FOR PRODUCT.** For details, please contact your TOSHIBA sales representative.
- Do not disassemble, analyze, reverse-engineer, alter, modify, translate or copy Product, whether in whole or in part.
- Product shall not be used for or incorporated into any products or systems whose manufacture, use, or sale is prohibited under any applicable laws or regulations.
- The information contained herein is presented only as guidance for Product use. No responsibility is assumed by TOSHIBA for any infringement of patents or any other intellectual property rights of third parties that may result from the use of Product. No license to any intellectual property right is granted by this document, whether express or implied, by estoppel or otherwise.
- **ABSENT A WRITTEN SIGNED AGREEMENT, EXCEPT AS PROVIDED IN THE RELEVANT TERMS AND CONDITIONS OF SALE FOR PRODUCT, AND TO THE MAXIMUM EXTENT ALLOWABLE BY LAW, TOSHIBA (1) ASSUMES NO LIABILITY WHATSOEVER, INCLUDING WITHOUT LIMITATION, INDIRECT, CONSEQUENTIAL, SPECIAL, OR INCIDENTAL DAMAGES OR LOSS, INCLUDING WITHOUT LIMITATION, LOSS OF PROFITS, LOSS OF OPPORTUNITIES, BUSINESS INTERRUPTION AND LOSS OF DATA, AND (2) DISCLAIMS ANY AND ALL EXPRESS OR IMPLIED WARRANTIES AND CONDITIONS RELATED TO SALE, USE OF PRODUCT, OR INFORMATION, INCLUDING WARRANTIES OR CONDITIONS OF MERCHANTABILITY, FITNESS FOR A PARTICULAR PURPOSE, ACCURACY OF INFORMATION, OR NONINFRINGEMENT.**
- GaAs (Gallium Arsenide) is used in Product. GaAs is harmful to humans if consumed or absorbed, whether in the form of dust or vapor. Handle with care and do not break, cut, crush, grind, dissolve chemically or otherwise expose GaAs in Product.
- Do not use or otherwise make available Product or related software or technology for any military purposes, including without limitation, for the design, development, use, stockpiling or manufacturing of nuclear, chemical, or biological weapons or missile technology products (mass destruction weapons). Product and related software and technology may be controlled under the applicable export laws and regulations including, without limitation, the Japanese Foreign Exchange and Foreign Trade Law and the U.S. Export Administration Regulations. Export and re-export of Product or related software or technology are strictly prohibited except in compliance with all applicable export laws and regulations.
- Please contact your TOSHIBA sales representative for details as to environmental matters such as the RoHS compatibility of Product. Please use Product in compliance with all applicable laws and regulations that regulate the inclusion or use of controlled substances, including without limitation, the EU RoHS Directive. **TOSHIBA ASSUMES NO LIABILITY FOR DAMAGES OR LOSSES OCCURRING AS A RESULT OF NONCOMPLIANCE WITH APPLICABLE LAWS AND REGULATIONS.**