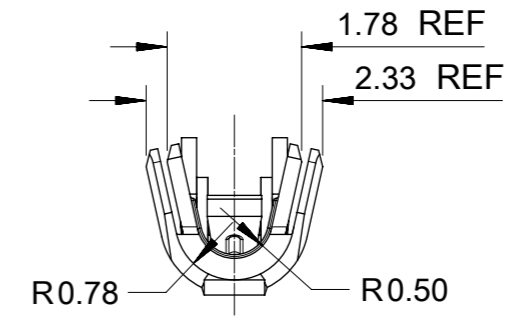
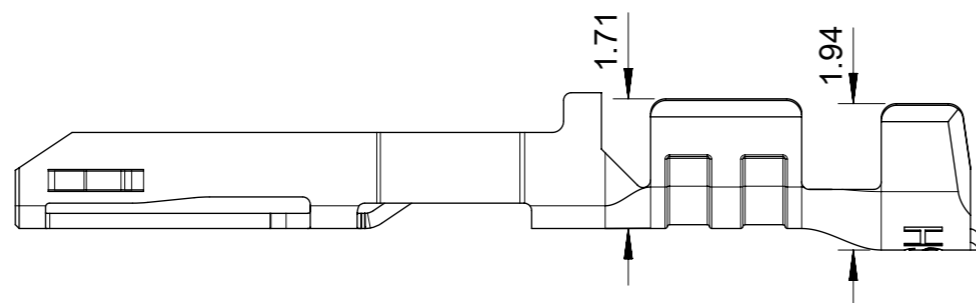


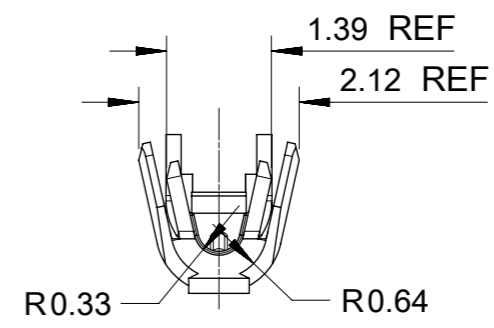
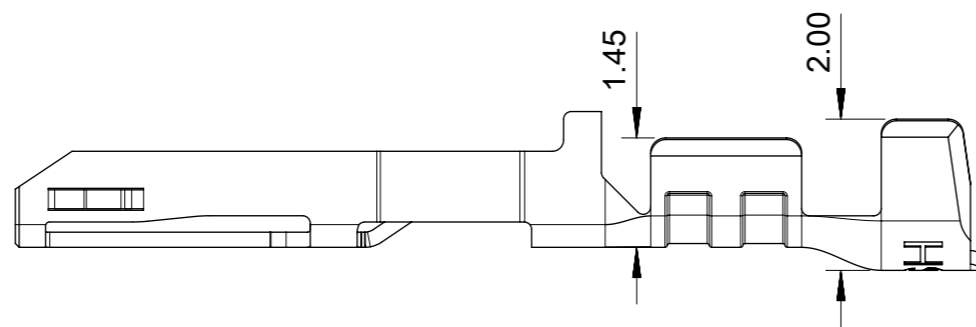
NOTES:

1. MATERIAL: HIGH CONDUCTIVITY COPPER ALLOY.
2. PLATING FINISH SEE CHART IN SHEET 3.
3. PRODUCT SPECIFICATION: PS-105300-100.
4. PACKAGE SPECIFICATION: PK-105300-100.
5. THE COMPONENT COMPLIANT TO RoHS DIRECTIVE 2011/65/EU AND ELV DIRECTIVE 2000/53/EC.
6. PRODUCT APPLY TO RECEPTACLE HOUSING OF 105307-**** AND 105308-****.
7. PARTS CONFORM TO CLASS 'B' REQUIREMENTS OF COSMETIC SPECIFICATION PS-45499-002.
8. APPLICATION SPECIFICATION: AS-105300-100.
9. RECOMMENDED INSULATOR:
 20AWG WIRE, OD 1.60MM MAX.
 24AWG WIRE, OD 1.30MM MAX.

THIS DRAWING CONTAINS INFORMATION THAT IS PROPRIETARY TO MOLEX ELECTRONIC TECHNOLOGIES, LLC AND SHOULD NOT BE USED WITHOUT WRITTEN PERMISSION											
QUALITY SYMBOLS FA = 0 FE = 0 FP = 0 ▼ = 0 C = 0 X = 0 ■ = 0 ▽ = 0	EC NO: 103921 DRWN: GLLI CHK'D: AYIN APPR: AYIN	2016/03/30 2016/04/26	GENERAL TOLERANCES (UNLESS SPECIFIED) ANGULAR TOL ± 3.0 °		DIMENSION UNITS	SCALE					
			MM	10:1							
			4 PLACES ±	3 PLACES ±	DRWN BY	DATE	CRIMP TERMINAL FOR NANO-FIT RECEPTACLE POWER CONNECTOR				
			2 PLACES ± 0.15	1 PLACE ± 0.20	GLLI	2015/03/18					
			0 PLACES ±	DRAFT WHERE APPLICABLE MUST REMAIN WITHIN DIMENSIONS	CHK'D BY	DATE	PRODUCT CUSTOMER DRAWING				
					AYIN	2015/04/08					
					DRAWING SIZE	THIRD ANGLE PROJECTION	SERIES	MATERIAL NUMBER	CUSTOMER		
					A3		105300	SEE SHEET 3	GENERAL MARKET		
							DOCUMENT NUMBER	DOC TYPE	DOC PART	SHEET NUMBER	
							SD-105300-100	PSD	000	1 OF 3	

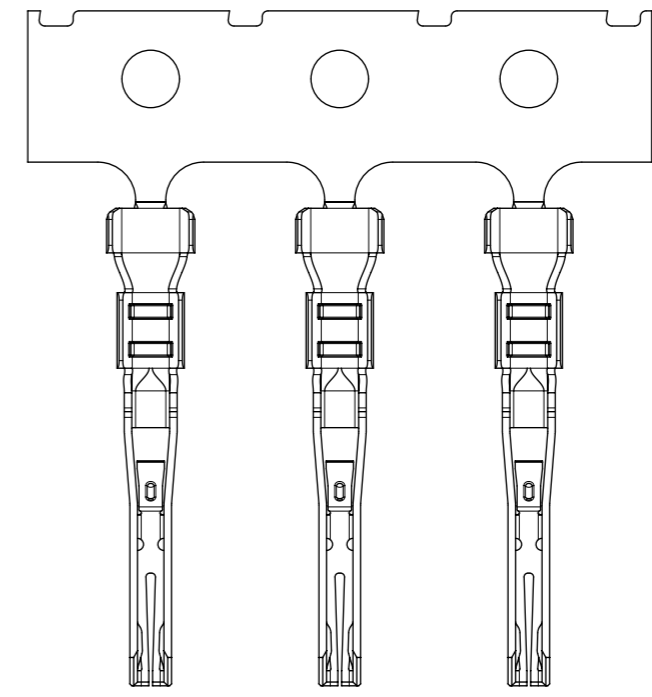
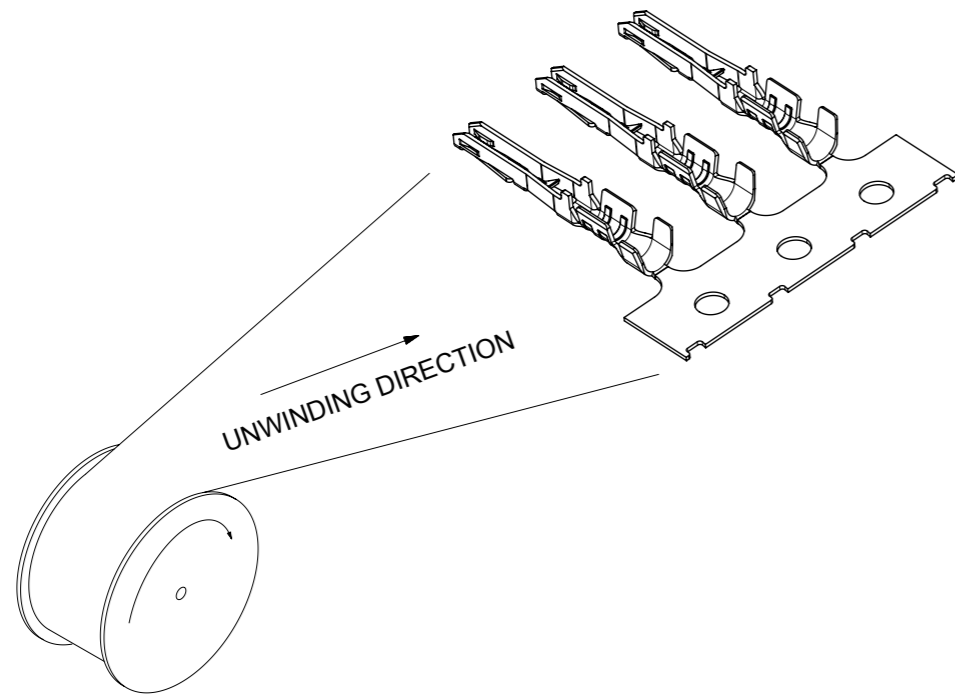


ONLY FOR WIRE OF AWG 20/22



ONLY FOR WIRE OF AWG 24/26

QUALITY SYMBOLS □ = 0 ▽ = 0 ▽ = 0 ▽ = 0 ▽ = 0 ▽ = 0 ▽ = 0 ▽ = 0 ▽ = 0 ▽ = 0	THIS DRAWING CONTAINS INFORMATION THAT IS PROPRIETARY TO MOLEX ELECTRONIC TECHNOLOGIES, LLC AND SHOULD NOT BE USED WITHOUT WRITTEN PERMISSION									
	2016/03/30 2016/04/26 EC NO: 103921 DRWN: GLLI CHK'D: AYIN APPR: AYIN	GENERAL TOLERANCES (UNLESS SPECIFIED)		DIMENSION UNITS	SCALE					
		ANGULAR TOL ± 3.0 °		MM	10:1					
		4 PLACES ±	DRWN BY		DATE					
		3 PLACES ±	GLLI		2015/03/18					
		2 PLACES ± 0.15	CHK'D BY		DATE					
	1 PLACE ± 0.20	APPR BY		DATE	PRODUCT CUSTOMER DRAWING					
	0 PLACES ±	DRAFT WHERE APPLICABLE MUST REMAIN WITHIN DIMENSIONS		DRAWING SIZE	THIRD ANGLE PROJECTION	SERIES	MATERIAL NUMBER	CUSTOMER		
	C	REV	A3			105300	SEE SHEET 3	GENERAL MARKET		
	RELEASE STATUS		P1	RELEASE DATE	27.04.2016	07:06:44	DOCUMENT NUMBER	DOC TYPE	DOC PART	SHEET NUMBER
SD-105300-100		PSD	000	2 OF 3						



PART NUMBER	PLATING TYPE	WIRE SIZE(AWG)
TBD	A	24/26
105300-1200	B	
105300-1300	C	
TBD	A	20/22
105300-2200	B	
105300-2300	C	

PLATING SPECIFICATION	
A	REFLOW MATTE TIN 2.5 MICRONS MINIMUM OVERALL, UNDER NICKEL PLATING 1.25 MICRONS MINIMUM OVERALL.
B	GOLD PLATING 0.38 MICRONS MINIMUM ON CONTACT AREA, BRIGHT TIN 2.5 MICRONS MINIMUM ON CONTACT AREA, UNDER NICKEL PLATING 1.25 MICRONS MINIMUM OVERALL.
C	GOLD PLATING 0.76 MICRONS MINIMUM ON CONTACT AREA, BRIGHT TIN 2.5 MICRONS MINIMUM ON CONTACT AREA, UNDER NICKEL PLATING 1.25 MICRONS MINIMUM OVERALL.

THIS DRAWING CONTAINS INFORMATION THAT IS PROPRIETARY TO MOLEX ELECTRONIC TECHNOLOGIES, LLC AND SHOULD NOT BE USED WITHOUT WRITTEN PERMISSION											
QUALITY SYMBOLS 	2016/03/30	2016/04/26	GENERAL TOLERANCES (UNLESS SPECIFIED)		DIMENSION UNITS	SCALE					
	EC NO: 103921 DRWN: GLLI CHK'D: APPR: AYIN	C	REV	ANGULAR TOL ± 3.0 °		MM					
				4 PLACES ±	DRWN BY GLLI		DATE 2015/03/18				
				3 PLACES ±	CHK'D BY		DATE				
				2 PLACES ± 0.15	APPR BY AYIN		DATE 2015/04/08				
				1 PLACE ± 0.20	DRAWING SIZE		THIRD ANGLE PROJECTION				
0 PLACES ±	A3										
DRAFT WHERE APPLICABLE MUST REMAIN WITHIN DIMENSIONS			PRODUCT CUSTOMER DRAWING SERIES 105300 MATERIAL NUMBER SEE CHART CUSTOMER GENERAL MARKET DOCUMENT NUMBER SD-105300-100 DOC TYPE PSD DOC PART 000 SHEET NUMBER 3 OF 3								