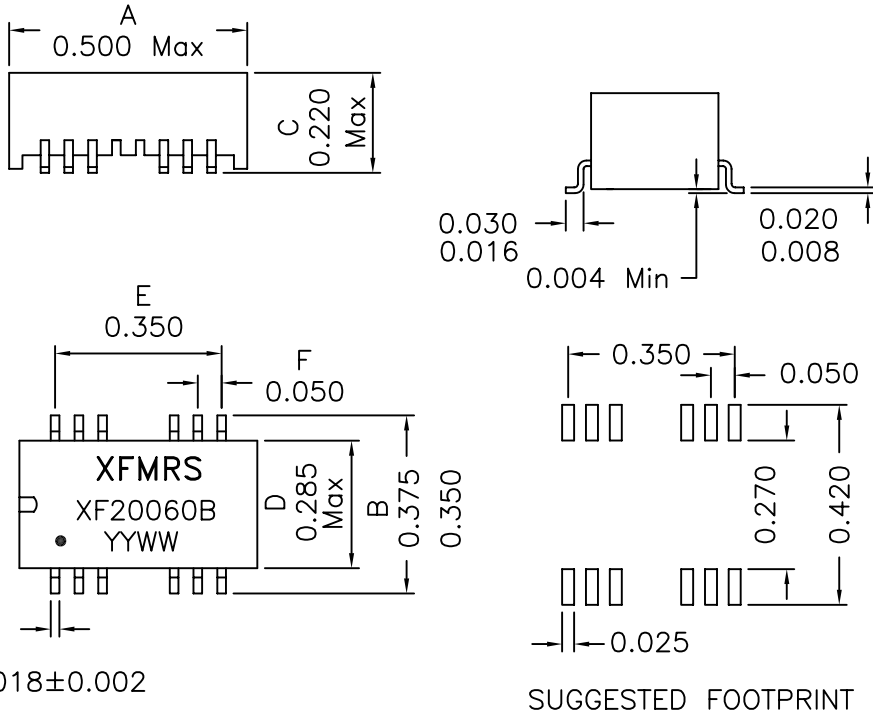
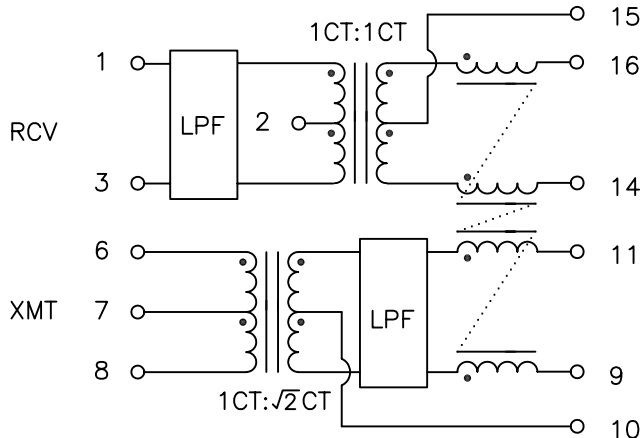


1. Mechanical Dimensions:



2. Schematic:



DOC REV: A/3

3. Electrical Specifications: @25°C

Isolation Voltage: 1500Vac

Turns Ratio: Pins (1-2-3):(16-15-14)=1CT:1CT±3%

Turns Ratio: Pins (6-7-8):(11-10-9)=1CT:√2CT±3%

Insertion loss : -1.0dB Max @1-10MHz (XMT & RCV)

Attenuation (Min): -5dB(XMT), -4dB(RCV) @20MHz

-14dB(XMT), -9dB(RCV) @25MHz

-24dB(XMT), -15dB(RCV) @30MHz

-30dB(XMT), -24dB(RCV) @40MHz

Cut-off Frequency: 17MHz Typ (XMT & RCV)

Return Loss : -15dB Min @5-10MHz (XMT)

Crosstalk: -30dB Min @1-10MHz

Common Mode Rejection: -30dB Min @30MHz-100MHz

Notes:

1. Solderability: Leads shall meet MIL-STD-202, Method 208D for solderability.
2. Flammability: UL94V-0
3. ASTM oxygen index: > 28%
4. Insulation System: Class F 155°C. UL file E151556
5. Operating Temperature Range: All listed parameters are to be within tolerance from -40°C to +85°C
6. Storage Temperature Range: -55°C to +125°C
7. Aqueous wash compatible

XFMRs Inc	Title: 10BASE-T FILTER		
	UNLESS OTHERWISE SPECIFIED TOLERANCES: .xxx ±0.010 Dimensions in Inch	P/N: XF20060B	REV. A
SCALE 2.5:1 SHT 1 OF 1	DWN.	Juan Mao	Mar-01-04
	CHK.	YK Liao	Mar-01-04
	APP.	MS	Mar-01-04