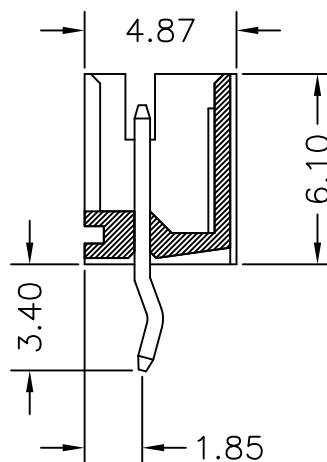
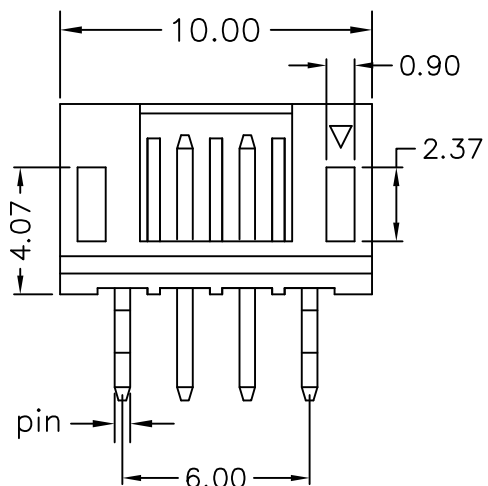


**MATERIAL**

Insulator : NY66+30% Glass fiber UL94-V0  
 Contact Pin : Brass  
 Contact Plated : Tin Plated

**SPECIFICATION**

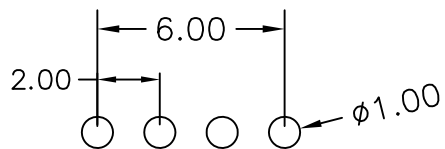
Current Rate : 2 AMP  
 Dielectric voltage : 800V AC for one minute  
 Insulation Resistance : 1000mΩMin.  
 Contact Resistance : 20mΩMax  
 Operation Temperature : -55°C to + 105°C



721-8 1-04 T W 0 0  
 1 2 3 4 5

- 1. 8: Green Product
- 2. No. of contacts per row
- 3. G: Gold flash  
S: Selective  
T: Tin plated
- 4. B: Black insulator  
W: Nature Color Insulator  
R: Red Insulator  
E: Green Insulator
- 5. Pinrex internal code.

0.5mm±0.05 square pin



Recommended P.C.B Layout



H	修改电阻阻值, 100Ω-->20Ω	2018/06/14	<b>TOLERANCE</b> .0 =±.30 .00 =±.20 .000 =±.XXX .0000=±. ANG.=±3°			OLD PART NO.			TITLE JST 2.0mm WAFER STRAIGHT TYPE		频锐科技股份有限公司 PINREX TECHNOLOGY CORP.
G	增加防火等级	2016/08/11		UNITS : mm	DRAWER 杨海琴 CHECK 李剑	NEW PART NO. 721-81-04TW00		DRAW NO. 721-81-04TW00(H版)			
F	REVISE HOUSING SIZE	2012/04/12		SCALE NONE	SHEET 1 OF 1 REV. H APP'D 李剑						
E	ADD SIZE	2010/09/10		SIZE A4							
D	REVISE Layout	2009/04/17									
REV.	DESCRIPTION	DATE									