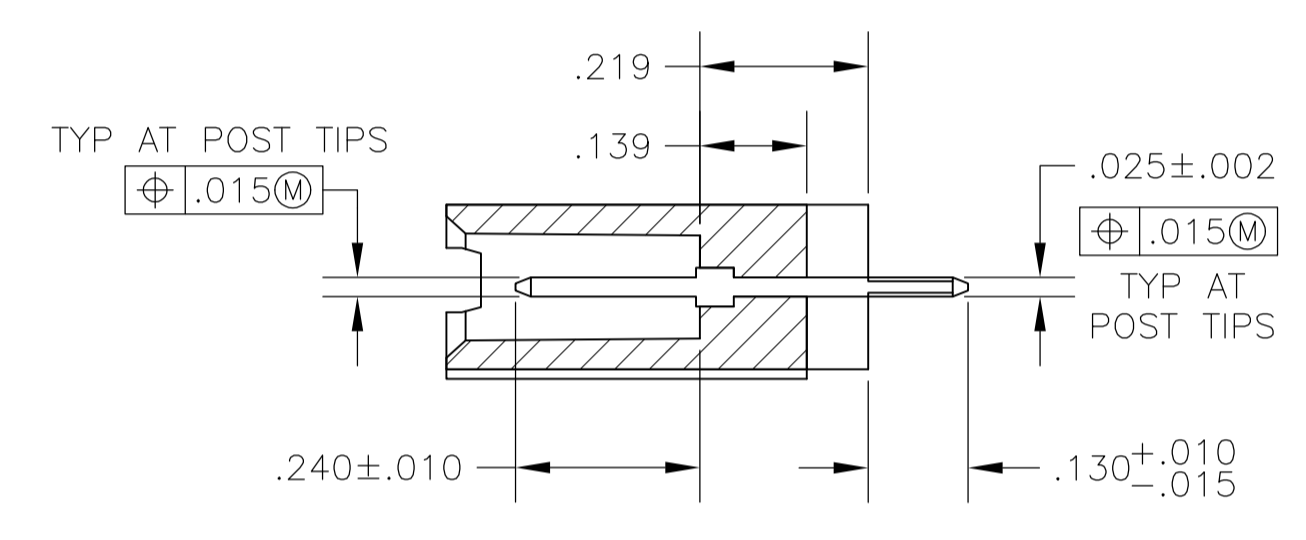
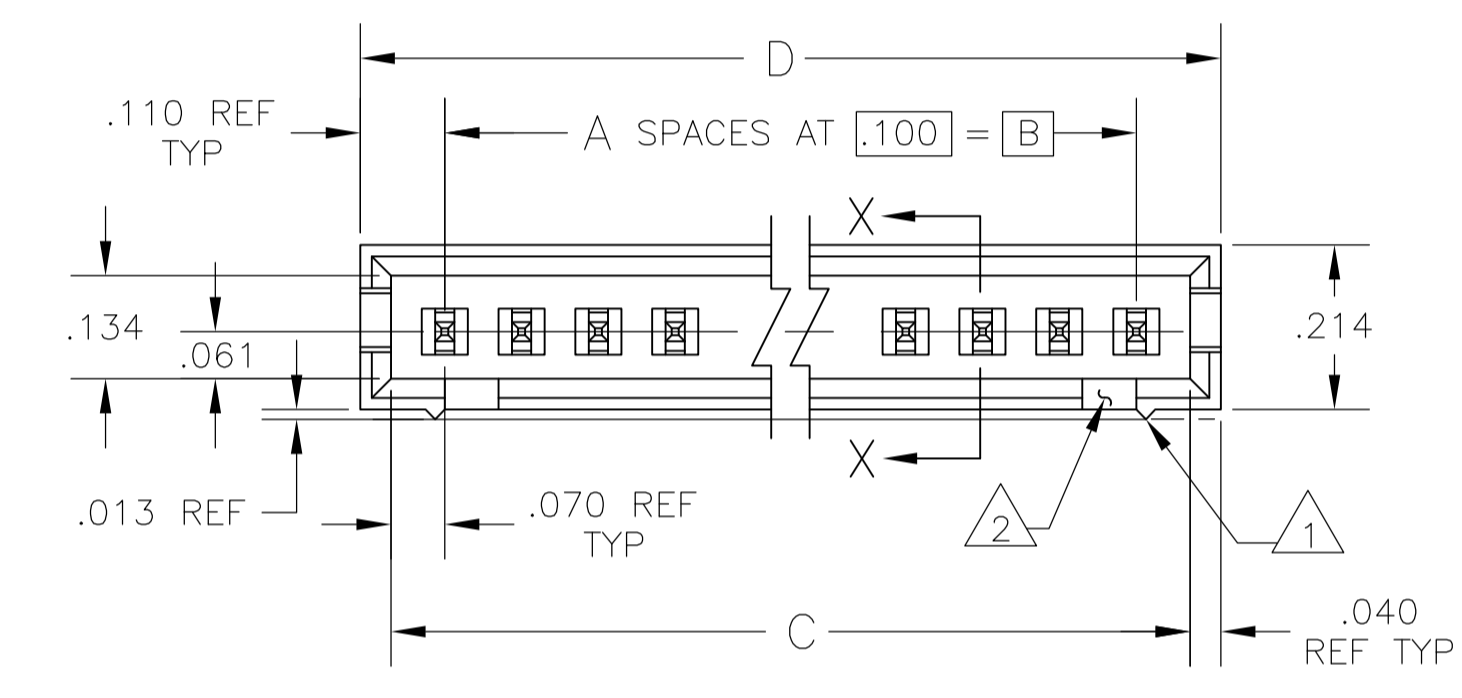
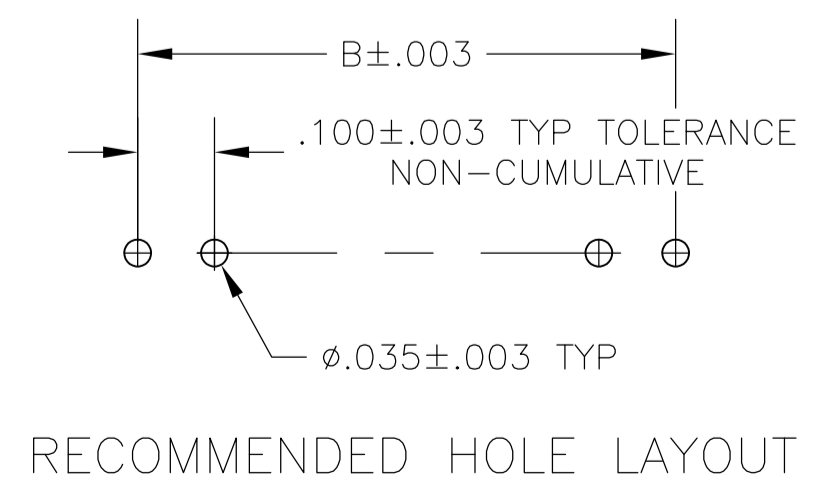
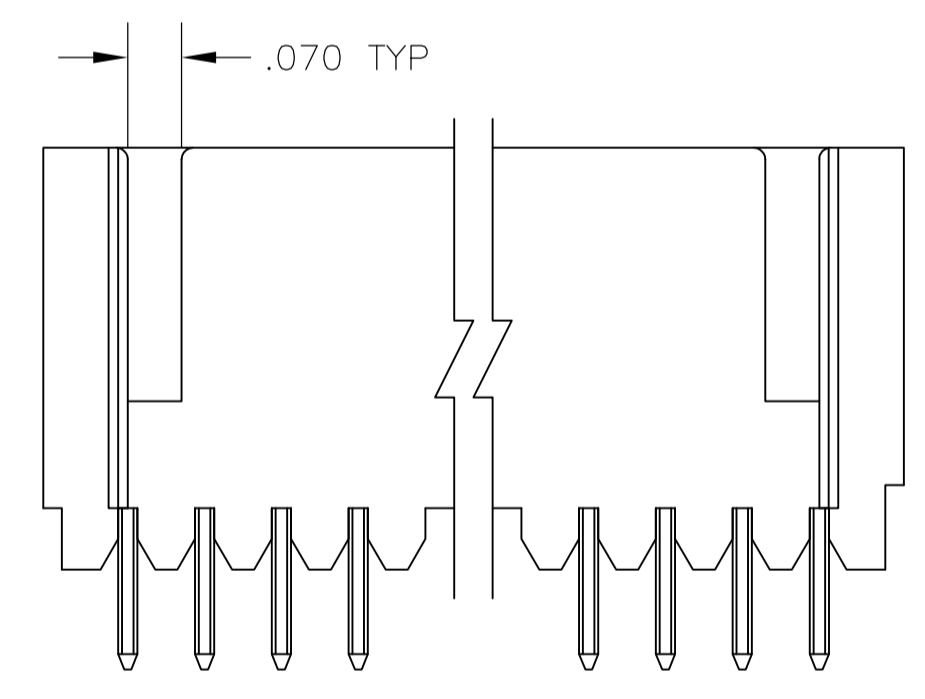


- 1 STANDOFFS:
UP TO 9 POS-(2 REQD) ON THE OUTSIDE ENDS OF THE HOUSING.
10 TO 19 POS-(3 REQD) TWO ON THE OUTSIDE ENDS AND ONE CENTERED ON THE HOUSING.

19 POS AND ABOVE-(4 REQD) TWO ON THE OUTSIDE ENDS AND TWO SPACED EVENLY WITHIN THE REMAINING LENGTH OF THE HOUSING.
- 2 FOR 3 POS. ONLY, ONE SLOT (.215 WIDE).
- 3 INDICATED PARTS ARE PACKAGED IN "GANG-OF-TUBES".
- 4 RECESSED DATE CODE
- 5 .000100-.000200 BRIGHT TIN-LEAD OVER .000050 NICKEL.
- 6 .000100-.000200 BRIGHT TIN OVER .000050 NICKEL.
- 7 PRELIMINARY PART
- 8 .000100-.000200 MATTE TIN OVER .000050 NICKEL.
- 9 OBSOLETE PARTS: OBSOLETE CIS STREAMLINING PER D.RENAUD/D.SINISI



SECTION X-X



FINISH	D	C	B	A	NO OF POS	ASSEMBLY PART NUMBER
9	2.620	2.540	2.400	24	25	7-103080-3
9	2.520	2.440	2.300	23	24	7-103080-2
9	2.420	2.340	2.200	22	23	7-103080-1
9	2.320	2.240	2.100	21	22	7-103080-0
9	2.220	2.140	2.000	20	21	6-103080-9
9	2.120	2.040	1.900	19	20	6-103080-8
9	2.020	1.940	1.800	18	19	6-103080-7
9	1.920	1.840	1.700	17	18	6-103080-6
9	1.820	1.740	1.600	16	17	6-103080-5
9	1.720	1.640	1.500	15	16	6-103080-4
9	1.620	1.540	1.400	14	15	6-103080-3
9	1.520	1.440	1.300	13	14	6-103080-2
9	1.420	1.340	1.200	12	13	6-103080-1
9	1.320	1.240	1.100	11	12	6-103080-0
9	1.220	1.140	1.000	10	11	5-103080-9
9	1.120	1.040	.900	9	10	5-103080-8
9	1.020	.940	.800	8	9	5-103080-7
9	.920	.840	.700	7	8	5-103080-6
9	.820	.740	.600	6	7	5-103080-5
9	.720	.640	.500	5	6	5-103080-4
9	.620	.540	.400	4	5	5-103080-3
9	.520	.440	.300	3	4	5-103080-2
9	.420	.340	.200	2	3	5-103080-1
9	1.020	.940	.800	8	9	4-103080-0
9	.520	.440	.300	3	4	3-103080-9
9	.420	.340	.200	2	3	3-103080-8
9	.520	.440	.300	3	4	3-103080-7
9	.620	.540	.400	4	5	3-103080-6
9	.620	.540	.400	4	5	3-103080-5
9	3.820	3.640	3.500	35	36	3-103080-4
9	3.720	3.540	3.400	34	35	3-103080-3
9	3.620	3.440	3.300	33	34	3-103080-2
9	3.420	3.340	3.200	32	33	3-103080-1
9	3.320	3.240	3.100	31	32	3-103080-0
9	3.220	3.140	3.000	30	31	2-103080-9
9	3.120	3.040	2.900	29	30	2-103080-8
9	3.020	2.940	2.800	28	29	2-103080-7
9	2.920	2.840	2.700	27	28	2-103080-6
9	2.820	2.740	2.600	26	27	2-103080-5
9	2.720	2.640	2.500	25	26	2-103080-4
9	2.620	2.540	2.400	24	25	2-103080-3
9	2.520	2.440	2.300	23	24	2-103080-2
9	2.420	2.340	2.200	22	23	2-103080-1
9	2.320	2.240	2.100	21	22	2-103080-0
9	2.220	2.140	2.000	20	21	1-103080-9
9	2.120	2.040	1.900	19	20	1-103080-8
9	2.020	1.940	1.800	18	19	1-103080-7
9	1.920	1.840	1.700	17	18	1-103080-6
9	1.820	1.740	1.600	16	17	1-103080-5
9	1.720	1.640	1.500	15	16	1-103080-4
9	1.620	1.540	1.400	14	15	1-103080-3
9	1.520	1.440	1.300	13	14	1-103080-2
9	1.420	1.340	1.200	12	13	1-103080-1
9	1.320	1.240	1.100	11	12	1-103080-0
9	1.220	1.140	1.000	10	11	1-103080-9
9	1.120	1.040	.900	9	10	1-103080-8
9	1.020	.940	.800	8	9	1-103080-7
9	.920	.840	.700	7	8	1-103080-6
9	.820	.740	.600	6	7	1-103080-5
9	.720	.640	.500	5	6	1-103080-4
9	.620	.540	.400	4	5	1-103080-3
9	.520	.440	.300	3	4	1-103080-2
9	.420	.340	.200	2	3	1-103080-1

THIS DRAWING IS A CONTROLLED DOCUMENT. DIN J. MARTINELLI 17AUG92

APVD H. PALEY 21AUG92 NAME ASSEMBLY, MOD II, SINGLE ROW, .100 C/L, (4) SIDED SHROUD

PRODUCT SPEC APPLICATION SPEC

SIZE CAGE CODE DRAWING NO RESTRICTED TO

WEIGHT A1 00779 C=103080

CUSTOMER DRAWING SCALE 4:1 SHEET 1 OF 1 REV V2