

LED Spot Lamp

TLL-M16-061-XX

Features:

- Spot Lamp Series MR16
- Product Number : TLL-M16-061-XX
- Led quantity : 18pcs/20pcs
- Voltage : 12V/110V/220-240V
- Color : Red/ yellow/ blue/ green/ white/ orange/ purple
- Base : GU5.3
- Life time : 50000 hours
- Weight : 0.13KGS/pcs



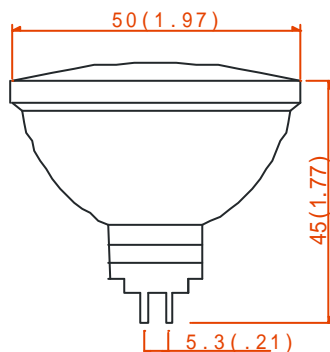
Applications

widely used in Super Market, Hotel, Tavern, Night Club, Disco Hall, Karaoke Room, Coffee House, Bank, Meeting Room, Exhibition Hall, Exhibition Wardrobe, Show Window, Living House.

Electrical-optical characteristics (Ta=25°C)

| Part Number | LED# | Color | Voltage | Watts (W) | Brightness (LM) | Life (H) | Base |
|-----------------|------|--------|------------|-----------|-----------------|----------|-------|
| TLL-M16-061-R18 | 18 | Red | 12/110/220 | 1.5 | 11 | 50000 | Gu5.3 |
| TLL-M16-061-Y18 | 18 | Yellow | 12/110/220 | 1.5 | 12 | 50000 | Gu5.3 |
| TLL-M16-061-B18 | 18 | Blue | 12/110/220 | 1.5 | 12 | 50000 | Gu5.3 |
| TLL-M16-061-G18 | 18 | Green | 12/110/220 | 1.5 | 23 | 50000 | Gu5.3 |
| TLL-M16-061-W18 | 18 | White | 12/110/220 | 1.5 | 29 | 50000 | Gu5.3 |
| TLL-M16-061-R20 | 20 | Red | 12/110/220 | 1.6 | 12 | 50000 | Gu5.3 |
| TLL-M16-061-Y20 | 20 | Yellow | 12/110/220 | 1.6 | 14 | 50000 | Gu5.3 |
| TLL-M16-061-B20 | 20 | Blue | 12/110/220 | 1.6 | 14 | 50000 | Gu5.3 |
| TLL-M16-061-G20 | 20 | Green | 12/110/220 | 1.6 | 27 | 50000 | Gu5.3 |
| TLL-M16-061-W20 | 20 | White | 12/110/220 | 1.6 | 33 | 50000 | Gu5.3 |

Drawing



Notes:

1. All dimensions are in millimeters (inches)
2. Tolerance is $\pm 1\text{mm}(0.01\text{'})$ unless otherwise noted.
3. Specifications are subject to change without notice