

2.00mm (0.79") PITCH CONNECTOR

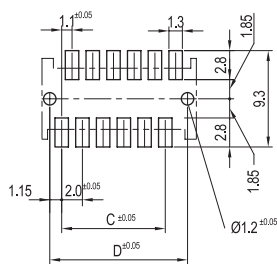
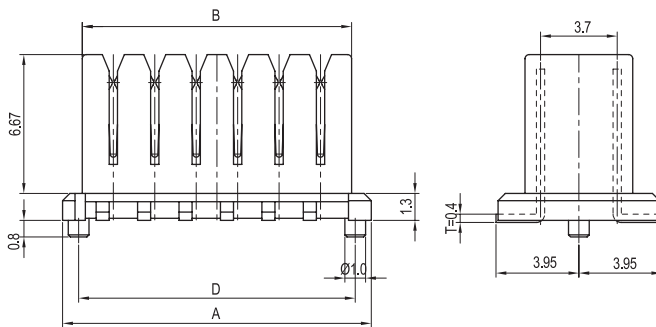
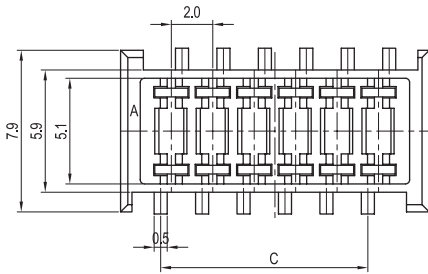
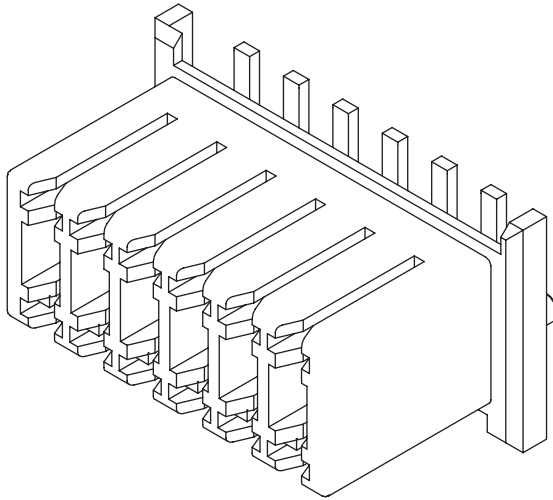


**Board-to-Board
Housing**

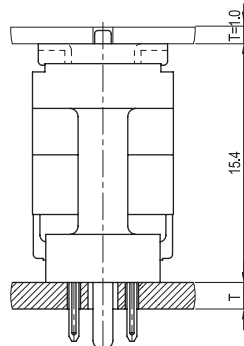
20030HS Series

SMT

Straight



P,C,B LAYOUT



MATING WITH

Material

I/NO	DESCRIPTION	TITLE	MATERIAL
1	WAFER	20030HS	PA6T or PA46, UL 94V Grade
2	PIN	20030TS	Phosphor Bronze & Tin-Plated

Available Pin

PARTS NO.	A	B	C	D
20030HS-08A00	10.9	8.8	6.0	9.4
20030HS-10A00	12.9	10.8	8.0	11.4
20030HS-12A00	14.9	12.8	10.0	13.4

Specification

ITEM	SPEC
Voltage Rating	AC/DC 250V
Current Rating	AC/DC 1A
Operating Temperature	-25°C~+85°C
Contact Resistance	30mΩ MAX
Withstanding Voltage	AC500V/1min
Insulation Resistance	1000MΩ MIN
Applicable Wire	-
Applicable P.C.B	0.8~1.6mm
Applicable FPC/FFC	-
Solder Height	0.15mm
Crimp Tensile Strength	-
UL FILE NO	-