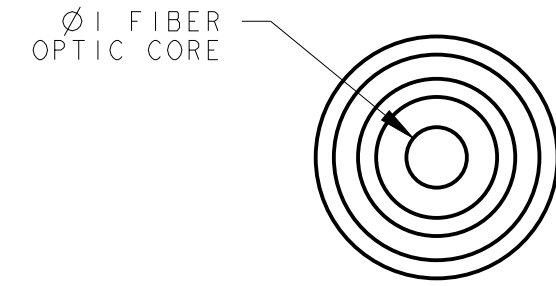


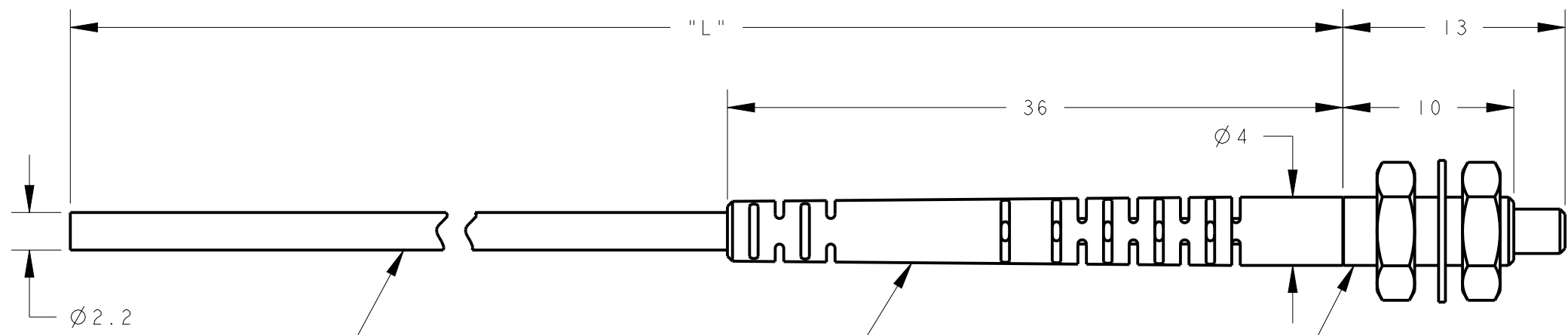
| MODEL NO. | "L" | P/N |
|-----------|------|-------|
| PIT46U-VL | 2000 | 87544 |
| PIT43U-VL | 1000 | 87543 |

NOTES:

1. OPERATING TEMPERATURE -55°C ~ +70°C.
2. MINIMUM BEND RADIUS R25.



DETAIL A
SCALE 8:1



POLYETHYLENE

PVC FLEX-RELIEF

M4 X 0.7
NICKEL PLATED BRASS
2X JAM NUTS (8MM ACROSS
FLATS X 2.3MM THICK)
2X ITLW (Ø8.3MM) INCLUDED

M2.6 X 0.45

SEE DETAIL A

This drawing is the property of BANNER ENGINEERING CORP. Any use or reproduction, in any form, without prior written permission of Banner is prohibited. © 2015 Banner Engineering Corp.

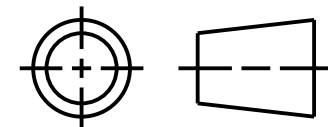


BANNER ENGINEERING CORP.
www.bannerengineering.com

TITLE
PIT4 VALUE LINE SERIES UNTERMINATED

| | | |
|-----------|------------------------------|------------------|
| SIZE B | DRAWING NO. 178352 | REV. B |
| SCALE 3:1 | | SHEET 1 OF 1 |

THIRD ANGLE PROJECTION



- NOTES:**
1. ALL DIMENSIONS ARE MILLIMETERS [INCHES] UNLESS OTHERWISE NOTED.
 2. REFER TO "www.bannerengineering.com" FOR ADDITIONAL DATA AND SPECIFICATIONS.