
Features

- Compliant with Trusted Computing Group (TCG) Trusted Platform Module (TPM) Main Specification Version 1.2
- Compliant with TCG PC Client Specific TPM Interface Specification Version 1.2
- Single Chip Turnkey Solution
- Hardware Asymmetric Crypto Engine
- 2048 RSA Sign in 500 ms
- AVR[®] RISC Microprocessor
- 33 MHz LPC (Low Pin Count) Bus for Easy PC Interface
- Secure Hardware and Firmware Design
- True Random Number Generator (RNG) – FIPS 140.2 compliant
- Secure Real-time Clock Option
- 3.3V ±10% Supply Voltage
- 28-lead TSSOP Package or 40-lead QFN Package
- 0–70°C Temperature Range

Description

The AT97SC3203 Trusted Platform Module (TPM) is the latest offering from Atmel, the world's leading choice for TPMs. Atmel, supplier of the world's first production v1.1b TPM, the AT97SC3201, expands its success into v1.2 TPMs with the AT97SC3203. Atmel continues to pace the development of TPM technology and actively participates in the Trusted Computing Group (TCG) and contributes expertise in the development of the TPM specifications. By utilizing Atmel TPMs, you can be confident that you are implementing the most advanced TPMs available on the market today and in the future.

The AT97SC3203 is a fully integrated security module designed to be integrated into personal computers and other embedded systems. It implements version 1.2 of the Trusted Computing Group specification for Trusted Platform Modules.

The TPM includes a cryptographic accelerator capable of computing a 2048-bit RSA signature in 500 ms and a 1024-bit RSA signature in 100 ms. Performance of the SHA-1 accelerator is 150 µs per 64-byte block. In most cases, TCG key generation operations will be completed using a proprietary mechanism in less than 1 msec.

The chip communicates with the PC through the LPC interface. The TPM supports SIRQ (for interrupts) and CLKRUN to permit clock stopping for power savings in mobile computers.



Trusted Platform Module

AT97SC3203

Summary

Advance Information

Rev. 5116AS-TPM-7/05



Note: This is a summary document. A complete document is available under NDA. For more information, please contact your local Atmel sales office.

Figure 1. AT97SC3203 Block Diagram

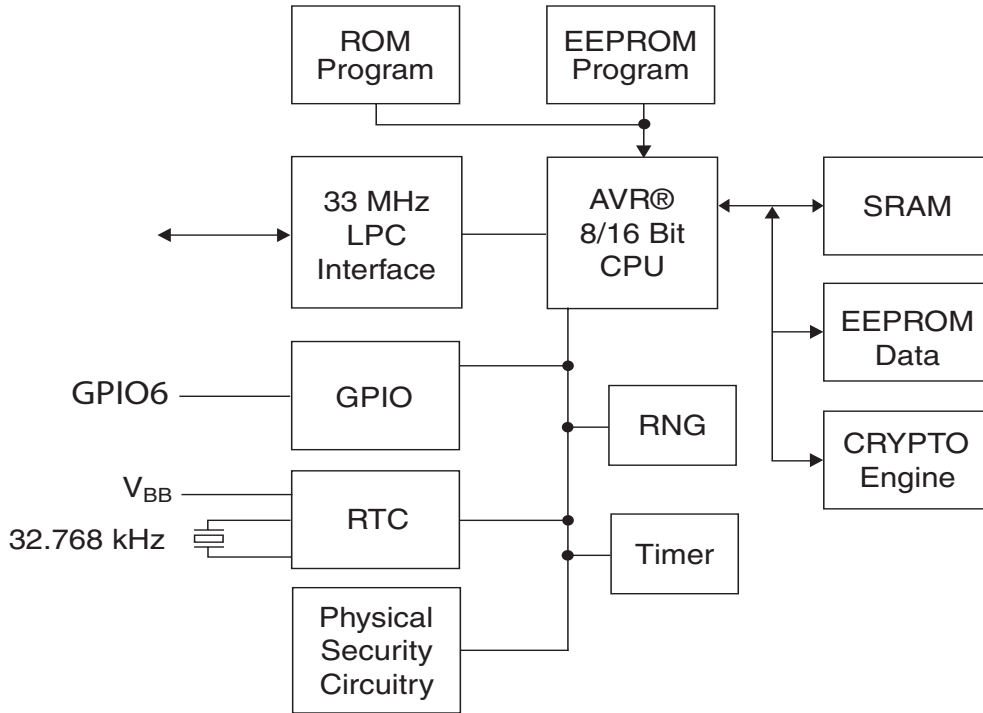


Figure 2. Atmel AT97SC3203 TPM Pin Configuration

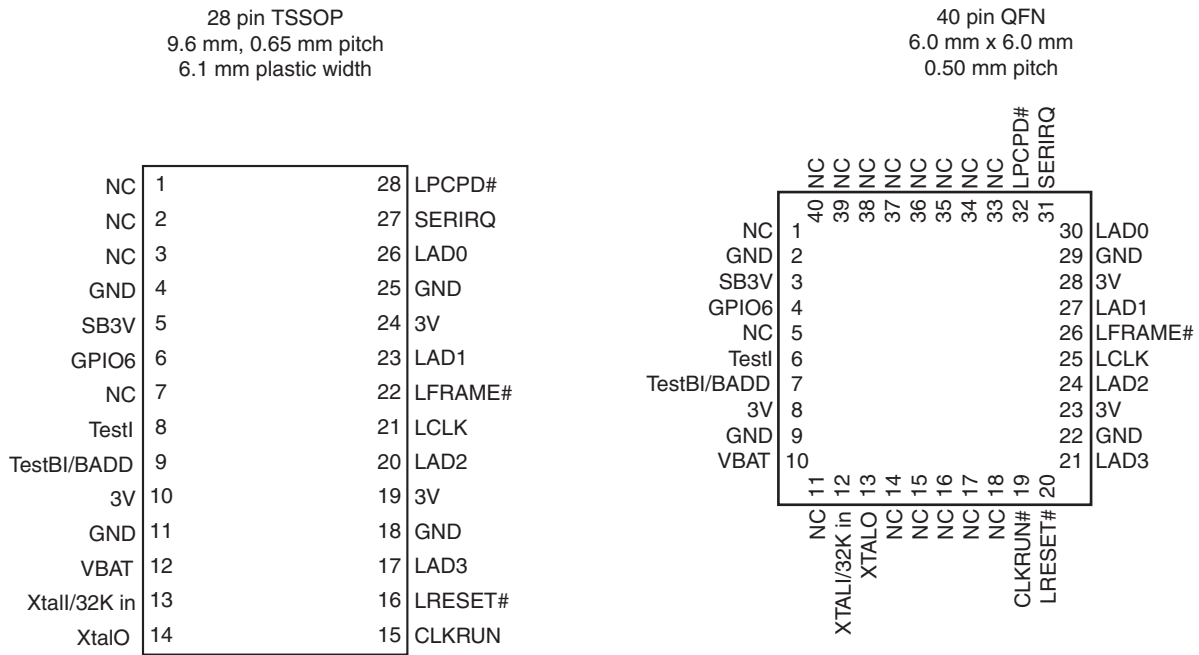


Table 1. Pin Descriptions

Name	TSSOP Pin #	QFN Pin #	Type	Description
LAD[3:0]	17, 20, 23, 26	30, 27, 24, 21	Input or Output	LPC Multiplexed Command, Address, Data: Internal pull-ups are provided.
LFRAME#	22	26	Input	LPC frame: Indicates the start of an LPC cycle, or an abort.
LPCPD#	28	32	Input	Power Down: Indicates that the TPM should prepare for power to be shut off on the LPC interface. If this pin is unused, it should be tied to the 3V power supply pin through a resistor.
CLKRUN#	15	19	Input or Output	PCI Clock Run: Active low output enabling the system LPC clock. If this pin is unused, it should be tied to ground.
LCLK	21	25	Input	33MHz PCI clock provides timing for all transactions on the PCI bus.
LRESET#	16	20	Input	PCI signal to reset all devices that reside on the PCI bus.
SERIRQ	27	31	Input or Output	Serialized Interrupt Request Signal. If the SERIRQ function is enabled, this pin should be connected to the CPU SERIRQ input, and the line pulled to the 3V power supply pin through a resistor. If this pin is unused, it should be tied to the 3V power supply pin through a resistor.
SB3V	5	3	Input	Standby 3.3V Supply. If no separate standby power supply is connected to this pin, the pin should be tied directly to the 3V power supply pin.
3V	10, 19, 24	8, 23, 28	Input	Primary 3.3V DC power supply input rail supplied by the motherboard. May be referred to as Vcc.
GND	4, 11, 18, 25	2, 9, 22, 29	Input	System ground.
NC	1	39	Output	No connect. This pin may be floated. If the XOR chain I/O test mode is used, the pin should be tied to ground directly or through a resistor. Reserved for the SMBus Data I/O function.
NC	2	40	Output	No connect. This pin may be floated. If the XOR chain I/O test mode is used, the pin should be tied to ground directly or through a resistor. Reserved for the SMBus Clock Input function.
VNC	3	1	Output	Vendor No Connect, as designated in the PC Client TIS specification. This pin may be floated. If the XOR chain I/O test mode is used, the pin should be tied to ground directly or through a resistor.
GPIO6	6	4	Input or Output	General Purpose Input/Output. Internal Pull-up Resistor. This pin is mapped to NV Index TPM_NV_INDEX_GPIO_00 and serves as the GPIO-Express-00. Default TPM configuration: GPIO Input. GPIO6 also serves as the XOR chain Output during I/O test mode.
NC	7	5	Input	No Connect. This input pin has an internal pull-down resistor and may be floated. If the XOR chain I/O test mode is used, the pin should be tied to the 3V power supply directly or through a resistor.
TestI	8	6	Output	TPM manufacturing test input disabled. This pin may be floated. If the XOR chain I/O test mode is used, the pin should be tied directly to ground.
TestBI/BADD	9	7	Input	TestBI and BADD functions disabled. This pin should be tied directly to ground.



Table 1. Pin Descriptions (Continued)

Name	TSSOP Pin #	QFN Pin #	Type	Description
VBAT	12	10	Input	3.3V Battery Input. If no external battery is connected to this pin, the pin should be tied directly to the 3V power supply pin.
Xtall/32K in	13	12	Input	32 kHz Crystal Oscillator Input or 32 kHz Clock Input. This pin should be tied to ground if not used.
XtalO	14	13	Output	32 kHz Crystal Oscillator Output.

Absolute Maximum Ratings (Preliminary)

Operating Temperature.....	0°C to +70°C
Storage Temperature (without Bias).....	0°C to + 70°C
Voltage on I/O Pins.....	-0.1 to V _{CC} +0.3V
Voltage on VCC with Respect to Ground.....	6.0V
Maximum ESD Voltage.....	2000V

***NOTICE:** Stresses beyond those listed under “Absolute Maximum Ratings” may cause permanent damage to the device. This is a stress rating only and functional operation of the device at these or any other conditions beyond those indicated in the operational sections of this specification may cause temporary or permanent failure. Exposure to absolute maximum rating conditions for extended periods may affect device reliability.

Table 2. DC Parameters (Preliminary)

VCC = 3.0 to 3.6V; Temperature = 0 to 70°C

Symbol	Parameter	Min	Nom	Max	Units	Notes
Vcc	Supply Voltage	3.0	3.3	3.6	V	
Icc	Operating Current at fclk = 33 MHz		25	50	mA	
IST	Static Current		5	10	mA	Vcc =3.6V; fxtal = 0 Hz; active inputs
ISL	Sleep Current, Chip Idle		40	100	µA	VCC = 3.6V; fxtal = 0 Hz
IBB	Battery Current		2	4	µA	VCC = 0V; fxtal = 0 Hz
ILIO	Input Leakage		0.1	3	µA	Vin = VCC or GND
VIH	Input High Threshold	0.5 * Vcc		0.5 + Vcc	V	
VIL	Input Low Threshold	-0.5		0.3 * Vcc	V	
VOH	Output High Voltage	0.9 * Vcc	0.98 * Vcc		V	At IOU _T = -500 µA
VOL	Output Low Voltage			0.1 * Vcc	V	V At IOU _T = 1.5 mA
IOLCR	Output Low Current, CLKRUN#	7			mA	At VOU _T = .615 * VCC
CI	Input Pin Capacitance		6		pF	Note 1

Notes: 1. These parameters guaranteed by design.

Table 3. AC Parameters

CI = 10pf.; VCC = 3.0 to 3.7V; Temperature = 0 to 70-C

Symbol	Parameter	Min	Nom	Max	Units	Notes
TVAL	CLK to Signal Valid Delay – LAD0-3	2	5	11	nS	Measured at $V_{trise} = 0.285 * VCC$ and $V_{fal} = 0.615 * VCC$. Measured from clk at $V_{test} = 0.4 * VCC$; Load = 200.
TON	Float to Active Delay	2	4		nS	
TOFF	Active to Float Delay			28	nS	
TSU	Input Setup Time to CLK	7	2		nS	
TH	Input Hold Time from CLK	0	-500		nS	
TRST	Reset Active Time After Power Stable	1			mS	Note 1
TRST-CLK	Reset Active After CLK Stable	100			mS	Note 1
TRST-OFF	Reset Active to Output Float Delay			40	nS	Note 1
TCLKIN	CLK Period	29.5	30	31	nS	Note 3
TCLKLO	CLK Low Duration	13.4		18	nS	Note 2, Note 3
TCLKHI	CLK High Duration	13.4		18	nS	Note 2, Note 3

- Notes:
1. These parameters guaranteed by design.
 2. All parameters measured with respect to signal crossing $V_{test} = 0.4 * VCC$ unless otherwise noted.
 3. The minimum parameter must never be violated under any circumstances unless $L_{reset\#}$ is asserted. If proper $CLK_{RUN\#}$ signaling is observed, the maximum specification can be violated.

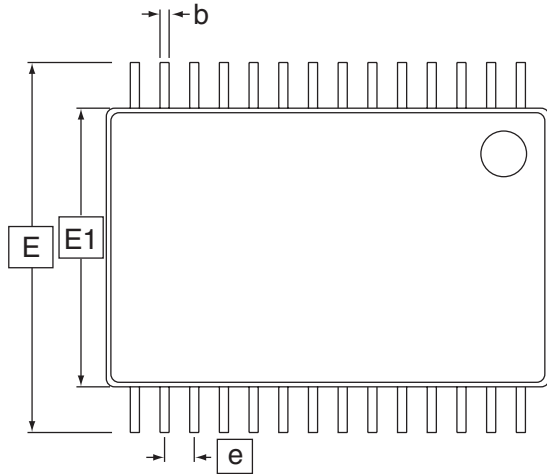
Table 4. Ordering Information

Ordering Code ⁽¹⁾	Package		Operation Range
AT97SC3203-01AC	28A3 (TSSOP)		Commercial (0° to 70° C)
AT97SC3203-X1AC	28A3 (TSSOP)	Lead-free ⁽²⁾	Commercial (0° to 70° C)
AT97SC3203-01MC	40ML1 (QFN)		Commercial (0° to 70° C)
AT97SC3203-X1MC	40ML1 (QFN)	Lead-free ⁽²⁾	Commercial (0° to 70° C)

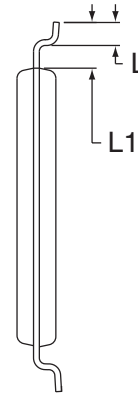
- Notes:
1. Current as of publication date. Contact Atmel marketing for status update.
 2. Also RoHS

Package Drawing

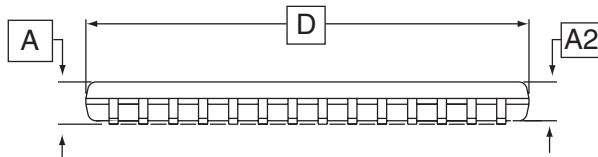
28A3 – TSSOP



Top View



End View



Side View

COMMON DIMENSIONS (Unit of Measure = mm)

SYMBOL	MIN	NOM	MAX	NOTE
D	9.60	9.70	9.80	2, 5
E	8.10 BSC			
E1	6.00	6.10	6.20	3, 5
A	–	–	1.20	
A2	0.80	1.00	1.05	
b	0.19	–	0.30	4
e	0.65 BSC			
L	0.45	0.60	0.75	
L1	1.00 REF			

- Notes:
1. This drawing is for general information only. Please refer to JEDEC Drawing MO-153, Variation DB for additional information.
 2. Dimension D does not include mold Flash, protrusions or gate burrs. Mold Flash, protrusions and gate burrs shall not exceed 0.15 mm (0.006 in) per side.
 3. Dimension E1 does not include inter-lead Flash or protrusions. Inter-lead Flash and protrusions shall not exceed 0.25 mm (0.010 in) per side.
 4. Dimension b does not include Dambar protrusion. Allowable Dambar protrusion shall be 0.08 mm total in excess of the b dimension at maximum material condition. Dambar cannot be located on the lower radius of the foot. Minimum space between protrusion and adjacent lead is 0.07 mm.
 5. Dimension D and E1 to be determined at Datum Plane H.

1/8/02



2325 Orchard Parkway
San Jose, CA 95131

TITLE

28A3, 28-lead, 6.1 x 9.7 mm Body, 0.65 pitch,
Thin Shrink Small Outline Package (TSSOP)

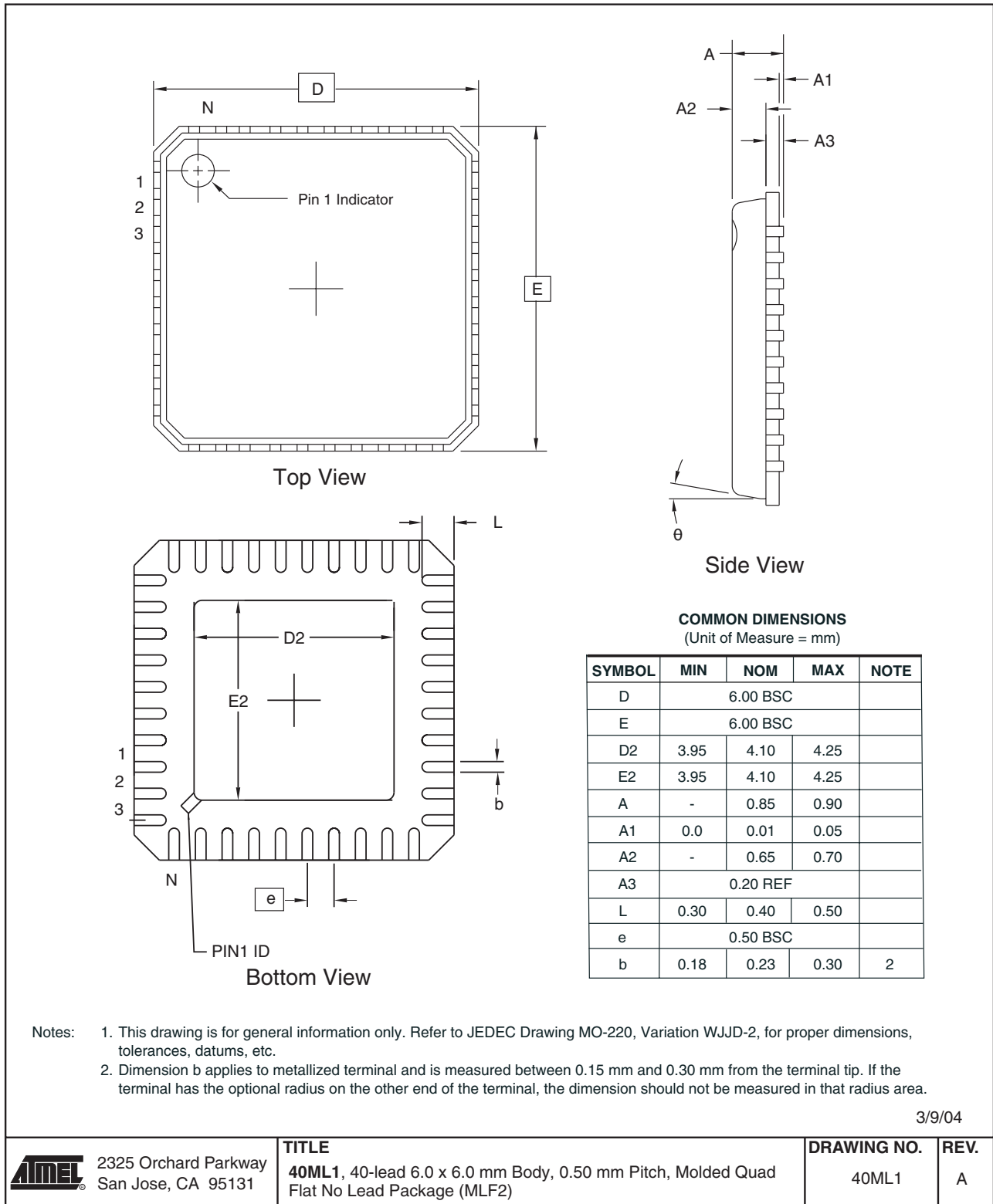
DRAWING NO.

28A3

REV.

A

40ML1 – QFN





Atmel Corporation

2325 Orchard Parkway
San Jose, CA 95131, USA
Tel: 1(408) 441-0311
Fax: 1(408) 487-2600

Regional Headquarters

Europe

Atmel Sarl
Route des Arsenalux 41
Case Postale 80
CH-1705 Fribourg
Switzerland
Tel: (41) 26-426-5555
Fax: (41) 26-426-5500

Asia

Room 1219
Chinachem Golden Plaza
77 Mody Road Tsimshatsui
East Kowloon
Hong Kong
Tel: (852) 2721-9778
Fax: (852) 2722-1369

Japan

9F, Tonetsu Shinkawa Bldg.
1-24-8 Shinkawa
Chuo-ku, Tokyo 104-0033
Japan
Tel: (81) 3-3523-3551
Fax: (81) 3-3523-7581

Atmel Operations

Memory

2325 Orchard Parkway
San Jose, CA 95131, USA
Tel: 1(408) 441-0311
Fax: 1(408) 436-4314

Microcontrollers

2325 Orchard Parkway
San Jose, CA 95131, USA
Tel: 1(408) 441-0311
Fax: 1(408) 436-4314

La Chantrerie
BP 70602
44306 Nantes Cedex 3, France
Tel: (33) 2-40-18-18-18
Fax: (33) 2-40-18-19-60

ASIC/ASSP/Smart Cards

Zone Industrielle
13106 Rousset Cedex, France
Tel: (33) 4-42-53-60-00
Fax: (33) 4-42-53-60-01

1150 East Cheyenne Mtn. Blvd.
Colorado Springs, CO 80906, USA
Tel: 1(719) 576-3300
Fax: 1(719) 540-1759

Scottish Enterprise Technology Park
Maxwell Building
East Kilbride G75 0QR, Scotland
Tel: (44) 1355-803-000
Fax: (44) 1355-242-743

RF/Automotive

Theresienstrasse 2
Postfach 3535
74025 Heilbronn, Germany
Tel: (49) 71-31-67-0
Fax: (49) 71-31-67-2340

1150 East Cheyenne Mtn. Blvd.
Colorado Springs, CO 80906, USA
Tel: 1(719) 576-3300
Fax: 1(719) 540-1759

Biometrics/Imaging/Hi-Rel MPU/ High Speed Converters/RF Datacom

Avenue de Rochepleine
BP 123
38521 Saint-Egreve Cedex, France
Tel: (33) 4-76-58-30-00
Fax: (33) 4-76-58-34-80

Literature Requests

www.atmel.com/literature

Disclaimer: The information in this document is provided in connection with Atmel products. No license, express or implied, by estoppel or otherwise, to any intellectual property right is granted by this document or in connection with the sale of Atmel products. **EXCEPT AS SET FORTH IN ATMEL'S TERMS AND CONDITIONS OF SALE LOCATED ON ATMEL'S WEB SITE, ATMEL ASSUMES NO LIABILITY WHATSOEVER AND DISCLAIMS ANY EXPRESS, IMPLIED OR STATUTORY WARRANTY RELATING TO ITS PRODUCTS INCLUDING, BUT NOT LIMITED TO, THE IMPLIED WARRANTY OF MERCHANTABILITY, FITNESS FOR A PARTICULAR PURPOSE, OR NON-INFRINGEMENT. IN NO EVENT SHALL ATMEL BE LIABLE FOR ANY DIRECT, INDIRECT, CONSEQUENTIAL, PUNITIVE, SPECIAL OR INCIDENTAL DAMAGES (INCLUDING, WITHOUT LIMITATION, DAMAGES FOR LOSS OF PROFITS, BUSINESS INTERRUPTION, OR LOSS OF INFORMATION) ARISING OUT OF THE USE OR INABILITY TO USE THIS DOCUMENT, EVEN IF ATMEL HAS BEEN ADVISED OF THE POSSIBILITY OF SUCH DAMAGES.** Atmel makes no representations or warranties with respect to the accuracy or completeness of the contents of this document and reserves the right to make changes to specifications and product descriptions at any time without notice. Atmel does not make any commitment to update the information contained herein. Unless specifically provided otherwise, Atmel products are not suitable for, and shall not be used in, automotive applications. Atmel's products are not intended, authorized, or warranted for use as components in applications intended to support or sustain life.

© Atmel Corporation 2005. **All rights reserved.** Atmel®, logo and combinations thereof, Everywhere You Are®, AVR®, and others, are registered trademarks or trademarks of Atmel Corporation or its subsidiaries. Other terms and product names may be trademarks of others.



Printed on recycled paper.

5116AS-TPM-7/05