

# C&K V Series Power & Line Voltage Select Slide Switches

## Features/Benefits

- Ratings up to 10 AMPS
- Snap-in panel and PC mounting
- Actuators with screwdriver slot
- Quick connect terminals available
- RoHS compliant

## Typical Applications

- Appliances



Slide



Models Available

## Specifications

CONTACT RATING: 10.1 AMPS @ 125 V AC; 4 AMPS @ 28 V DC;  
5 AMPS @ 250 V AC (UL/CSA). 2.0 (0.5) AMPS @ 250 V AC,  
T85 (VDE).

ELECTRICAL LIFE: 10,000 make-and-break cycles at full load.

CONTACT RESISTANCE: Below 10 m Ω typ. initial  
@ 2-4 V DC, 100 mA.

INSULATION RESISTANCE: 10<sup>9</sup> Ω min.

DIELECTRIC STRENGTH: 1,000 Vrms min. @ sea level.

OPERATING TEMPERATURE: -30°C to +85°C.

**NOTE:** Any models supplied with Q, B or G contact material are RoHS compliant.  
For the latest information regarding RoHS compliance, please go to:  
[www.ittcannon.com/rohs](http://www.ittcannon.com/rohs).

**NOTE:** Specifications and materials listed above are for switches with standard options.  
For information on specific and custom switches, consult Customer Service Center.

## Materials

HOUSING: 6/6 nylon (UL94V-2), black.

TOP PLATE: 6/6 nylon (UL94V-2), black.

ACTUATOR: Glass filled polyester (UL94V-0), '01 and 02' styles,  
black (standard); '12, 13 and 14' styles, red (standard).

CONTACTS: Copper, silver plated.

TERMINALS: Copper, silver plated.

CONTACT SPRING: Music wire or stainless steel.

TERMINAL SEAL: Epoxy.

## Build-A-Switch

To order, simply select desired option from each category and place in the appropriate box. Available options are shown and described on pages J-33 through J-35. For additional options not shown in catalog, consult Customer Service Center.

|   |  |   |   |   |  |
|---|--|---|---|---|--|
| <p><b>Switch Function</b></p> <p><b>V802</b> DPDT</p> <p><b>V701</b> SPST</p> <p><b>V702</b> SPDT</p> <p><b>V801</b> DPST</p> | <p><b>Actuator</b></p> <p><b>12</b> Screwdriver slot</p> <p><b>01</b> .290" high</p> <p><b>02</b> .290" high with markings</p> <p><b>13</b> Screwdriver slot</p> <p><b>14</b> Screwdriver slot with markings</p> | <p><b>Mounting Style</b></p> <p><b>SS</b> Panel with mounting ears</p> <p><b>MA</b> Right angle, PC thru-hole</p> <p><b>MS</b> PC Thru-hole</p> <p><b>S2</b> Snap-in panel</p> <p><b>SL</b> Right angle, panel with mounting ears</p> | <p><b>Terminations</b></p> <p><b>05</b> Quick connect</p> <p><b>02</b> PC thru-hole</p> <p><b>08</b> Right angle PC thru-hole</p> | <p><b>Contact Material</b></p> <p><b>Q</b> Silver</p> | <p><b>Seal</b></p> <p><b>NONE</b> No seal</p> <p><b>E</b> Epoxy seal</p> |
|---|--|---|---|---|--|



Dimensions are shown: Inch (mm)  
Specifications and dimensions subject to change

# C&K V Series Power & Line Voltage Select Slide Switches

## SWITCH FUNCTION

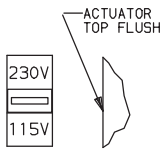
| NO. POLES | MODEL NO. | SWITCH FUNCTION | SCHEMATIC | AVAILABLE MOUNTING STYLES |
|-----------|-----------|-----------------|-----------|---------------------------|
| SP        | V701      | SPST            |           | ALL                       |
|           | V702      | SPDT            |           | ALL                       |

All models with all options.  
Contacts make on side actuator thrown.

| NO. POLES | MODEL NO. | SWITCH FUNCTION | SCHEMATIC | AVAILABLE MOUNTING STYLES |
|-----------|-----------|-----------------|-----------|---------------------------|
| DP        | V801      | DPST            |           | ALL                       |
|           | V802      | DPDT            |           | ALL                       |

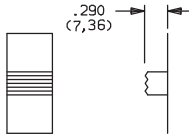
## ACTUATOR

**12** SCREWDRIVER SLOT WITH MARKING



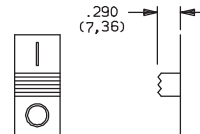
Actuator color is red with 115V-230V markings (std.).

**01** .290" HIGH



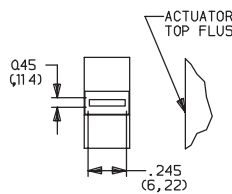
Actuator color is black.

**02** .290" HIGH WITH MARKINGS



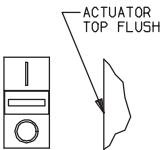
markings are reversed on V702 and V802 models. Actuator color is black with white markings (std.).

**13** SCREWDRIVER SLOT NO MARKING

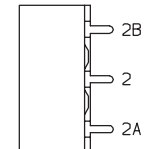


Actuator color is red.

**14** SCREWDRIVER SLOT WITH MARKINGS



Markings are reversed on V702 and V802 models. Actuator color is red with white markings (std.).



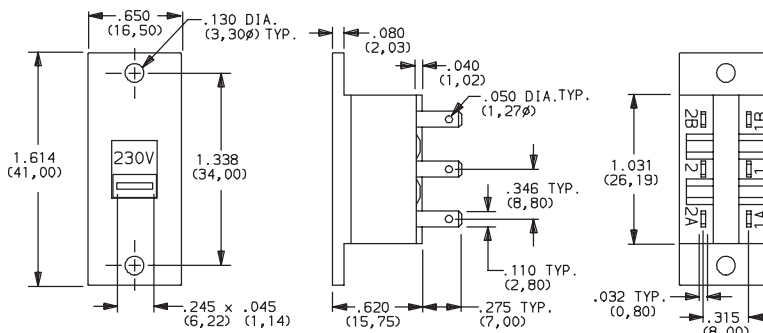
**Note:** Orientation of actuator markings and terminals.

## MOUNTING STYLE

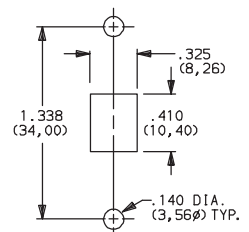
**SS** PANEL WITH MOUNTING EARS



V80212SS05Q  
DPDT



PANEL MOUNTING

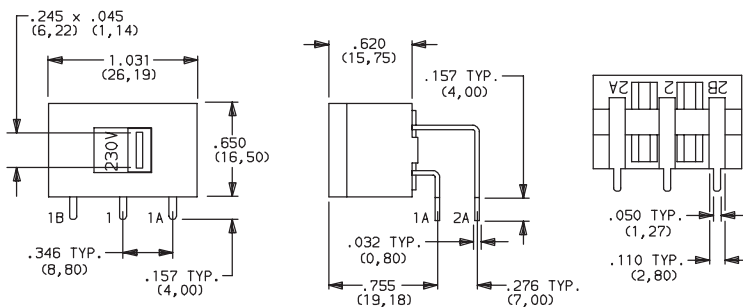


**AVAILABLE WITH:**  
Models: All.  
Terminations: 02 and 05

**MA** RIGHT ANGLE, PC THRU-HOLE



V80212MA08Q  
Horizontal Actuation  
DPDT



**AVAILABLE WITH:**

Models: All  
Terminations: 08

**PC MOUNTING**

PC mount, side actuated.  
For mounting information, see TERMINATIONS section, page J-35.



Dimensions are shown: Inch (mm)  
Specifications and dimensions subject to change

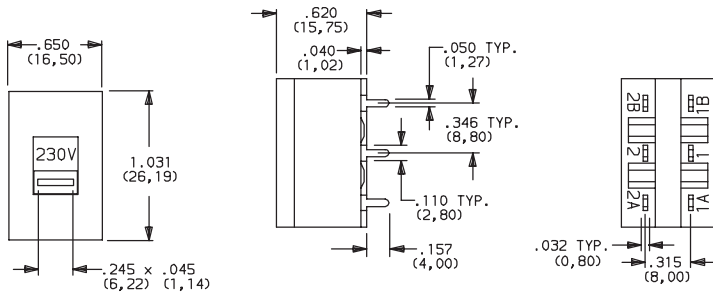


Slide

# C&K V Series Power & Line Voltage Select Slide Switches

## MOUNTING STYLE

### MS PC THRU-HOLE



**AVAILABLE WITH:**  
All models with 02 terminations

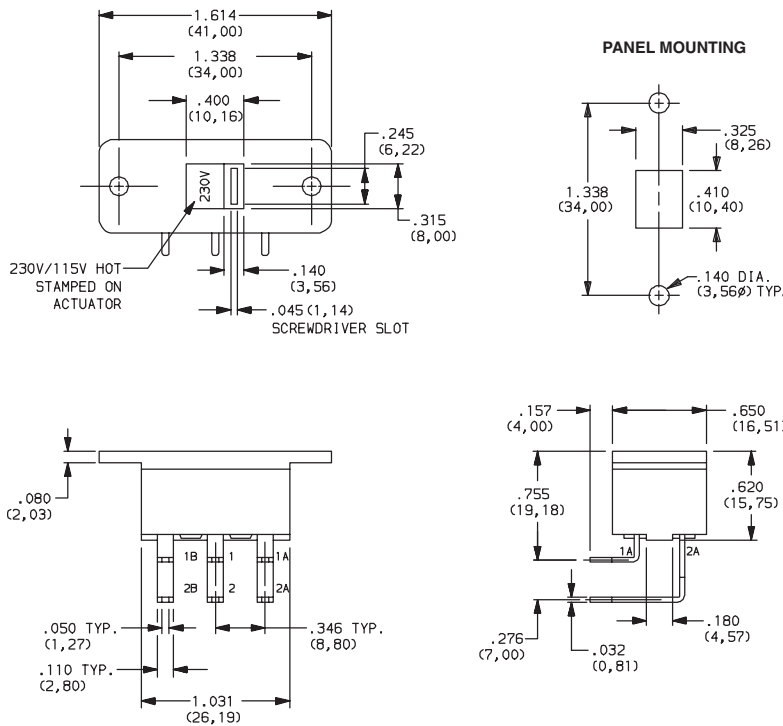
**PC MOUNTING**  
PC mount, top actuated.  
For mounting information,  
see TERMINATIONS section, page J-35.



V80212MS02Q  
DPDT

Slide

### SL RIGHT ANGLE PANEL WITH MOUNTING EARS

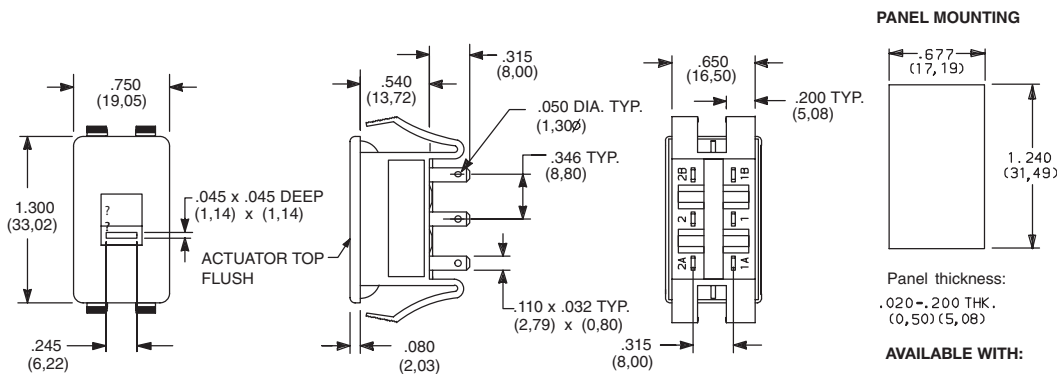


**AVAILABLE WITH:**  
All models with 08 terminations

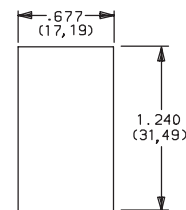


V80213SL08Q  
Horizontal Actuation  
DPDT

### S2 SNAP-IN PANEL MOUNT



#### PANEL MOUNTING



Panel thickness:  
.020-.200 THK.  
(0,50) (5,08)

**AVAILABLE WITH:**  
All models with 02 &  
05 terminations



V80212S205Q  
DPDT

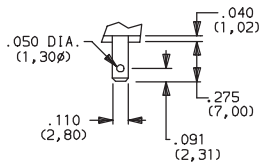


Dimensions are shown: Inch (mm)  
Specifications and dimensions subject to change

# C&K V Series Power & Line Voltage Select Slide Switches

## TERMINATIONS

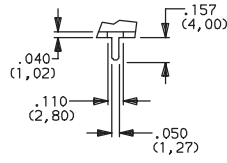
### 05 QUICK CONNECT



.032 THK.  
(0,80)

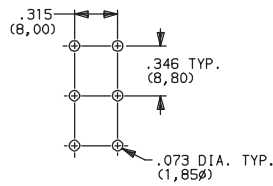
Fits .110 in. quick connector.

### 02 PC THRU-HOLE



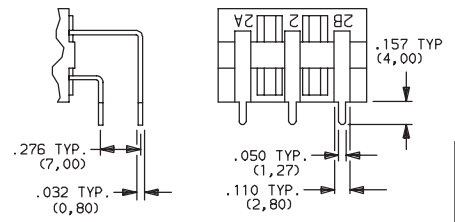
.032 THK.  
(0,80)

#### PC MOUNTING



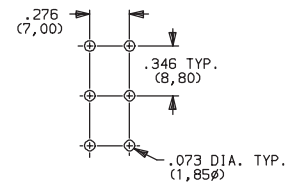
MSt SS Mounting Styles

### 08 PC THRU-HOLE



Not available with 'MS, SS or S2' mounting styles.

#### PC MOUNTING



MAT SL Mounting Styles

## CONTACT MATERIAL

| OPTION CODE | RoHS COMPLIANT | RoHS COMPLIANT | CONTACT MATERIAL    | RATINGS |   |
|-------------|----------------|----------------|---------------------|---------|---|
| Q           | YES            | YES            | SILVER <sup>1</sup> | POWER   | 10.1 AMPS @ 125 V AC; 4 AMPS @ 28 V DC; 5 AMPS @ 250 V AC (UL/CSA); 2.0 (0.5) AMPS @ 250 V AC, T85 (VDE). |

\* Note: See Technical Data section of this catalog for RoHS compliant and compatible definitions and specifications.

<sup>1</sup> CONTACTS & TERMINALS: Copper, silver plated (standard with all termination options).

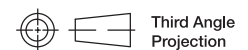
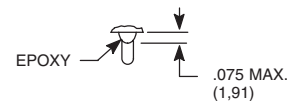
All models with all options. V70X and V80X models .

**NOTE:** Any models supplied with Q contact material are RoHS compliant. For the latest information regarding RoHS compliance, please go to: [www.ittcannon.com/rohs](http://www.ittcannon.com/rohs).

## SEAL

**NONE** NO SEAL

**E** EPOXY SEAL



Dimensions are shown: Inch (mm)  
Specifications and dimensions subject to change



Slide