

PBB20C Series

AC/DC SINGLE OUTPUT SUPPLY

FEATURES

- 10 - 1500W
- AC/DC Power Supply
- Small size and light weight
- Fan alarm (300W-1500W)
- Remote ON/OFF (300W-1500W)
- Parallel operation and current sharing (300W - 1500W)
- Short circuit and over current protected
- Conformal coating option for wet areas



SPECIFICATIONS

INPUT

Voltage	85~264Vac / 120~370Vdc.
Frequency	47-63Hz.
Inrush current	PBB20C-D, F, H, J, L 30A typical PBB20C-M, R, T, X, W, V 40A typical.

OUTPUT

Output Voltage	See Selection Table.
Voltage Adjustment	See Selection Table.
Output Current	See Selection Table.
Minimum Load	Unit will operate with zero load.
Output Ripple	3.3Vdc - 24Vdc < 150mVp-p 48Vdc < 250mVp-p
Line regulation	Typically 0.4%
Load regulation	Typically 0.8%
Temperature drift	1% over 0°C to 50°C
Remote sense	Provided on PBB20C-T to V model
Remote inhibit	Provided on PBB20C-T to V model
Rise time	Model dependent 600ms max
Holdup time	20ms typical
Efficiency	Typ. 82%

PROTECTION

Over Current Protection	Works at approximately 105% of rated current with auto recovery
Over Voltage Protection	Model dependent 115%-140% Vout typical
Isolation	Input - Output 3000Vac Input - Case 2000Vac Output - Case 500Vac
Thermal protection	300W - 1500W - Unit shuts down when temperature exceeds de-rating curve when FAN stops or when air flow is interrupted
DC OK / FAN alarm	300W - 1500W: Open Collector "Low DC OK" 0.5V "High DC not OK" 5V LED for V output

ENVIRONMENTAL

Operating Temperature	10W-150W convection 10°C to 71°C Derate from 40°C to 71°C with cover Derate from 60°C to 71°C without cover
Cooling	300W-1500W convection -20°C to 71°C Derate from 50°C to 71°C at 50% power
Humidity	10W-150W models convection cooled. 300W-1500W models internal fan cooling.
Vibration	20%-90% non-condensing.
Shock	10Hz-55Hz at 2G 20G 11ms X, Y, Z axis

STANDARDS & APPROVALS

Safety	UL60950-1, C-UL(CSA60950-1), EN60950-1, EN50178, Complies with DEN-AN.
C-Tick	AS/NZS CISPR11 Group 1 Class A.
EMC compliances	EN61204-3, EN61000-6-2 EN61000-4-2,-3,-4,-5,-6,-8,-11
EMI compliances	Complies with FCC-B, CISPR22-B, EN55011-B, EN55022-B, VCCI-B
CE marking	Complies with LVD and EMC Directives

MECHANICAL

Connector	Screw Termination
Dimensions and Weight	PBB20C-D, 10W : 31 x 78 x 68mm, 150g PBB20C-F, 15W : 31 x 78 x 85mm, 200g PBB20C-H, 30W : 31 x 78 x 103mm, 270g PBB20C-J, 50W : 31 x 82 x 120mm, 280g PBB20C-L, 75W : 32 x 82 x 135mm, 350g PBB20C-M, 100W : 32 x 93 x 147mm, 440g PBB20C-R, 150W : 34 x 93 x 168mm, 560g PBB20C-T, 300W : 102 x 42 x 170mm, 1.0kg PBB20C-X, 600W : 120 x 61 x 190mm, 1.6kg PBB20C-W, 1000W : 150 x 61 x 240mm, 2.2kg PBB20C-V, 1500W : 178 x 61 x 268mm, 3.4kg
Chassis Plate Mounting	PBB20C Chassis Mounting

PBB20C Series

AC/DC SINGLE OUTPUT SUPPLY

SELECTION TABLE

MODEL NUMBER	OUTPUT		VOLTAGE ADJ	POWER
PBB20C-5D	5V	2A	4.5V - 5.5V	10W
PBB20C-12D	12V	0.9A	10V - 13.2V	10W
PBB20C-24D	24V	0.5A	19.2V - 27V	10W
PBB20C-3.3F	3.3V	3A	2.85V - 3.6V	15W
PBB20C-5F	5V	3A	4.5V - 5.5V	15W
PBB20C-9F	9V	1.7A	7.5V - 10V	15W
PBB20C-12F	12V	1.3A	10V - 13.2V	15W
PBB20C-15F	15V	1A	13.2V - 18V	15W
PBB20C-24F	24V	0.7A	19.2V - 27V	15W
PBB20C-48F	48V	0.35A	39V - 53V	15W
PBB20C-3.3H	3.3V	6A	2.85V - 3.6V	30W
PBB20C-5H	5V	6A	4.5V - 5.5V	30W
PBB20C-9H	9V	3.4A	7.5V - 10V	30W
PBB20C-12H	12V	2.5A	10V - 13.2V	30W
PBB20C-15H	15V	2A	13.2V - 18V	30W
PBB20C-24H	24V	1.3A	19.2V - 27V	30W
PBB20C-48H	48V	0.65A	39V - 53V	30W
PBB20C-3.3J	3.3V	10A	2.85V - 3.6V	50W
PBB20C-5J	5V	10A	4V - 5.5V	50W
PBB20C-9J	9V	5.6A	7.5V - 10V	50W
PBB20C-12J	12V	4.3A	10V - 13.2V	50W
PBB20C-15J	15V	3.5A	13.2V - 18V	50W
PBB20C-24J	24V	2.2A	19.2V - 27V	50W
PBB20C-36J	36V	1.4A	28.8V - 39V	50W
PBB20C-48J	48V	1.1A	39V - 53V	50W
PBB20C-3.3L	3.3V	15A	2.85V - 3.6V	75W
PBB20C-5L	5V	15A	4V - 5.5V	75W
PBB20C-9L	9V	8.4A	7.5V - 10V	75W
PBB20C-12L	12V	6.3A	10V - 13.2V	75W
PBB20C-15L	15V	5A	13.2V - 18V	75W
PBB20C-24L	24V	3.2A	19.2V - 27V	75W
PBB20C-36L	36V	2.1A	28.8V - 39V	75W
PBB20C-48L	48V	1.6A	39V - 53V	75W
PBB20C-3.3M	3.3V	20A	2.85V - 3.6V	100W
PBB20C-5M	5V	20A	4V - 5.5V	100W
PBB20C-9M	9V	10.5	7.5V - 10V	100W
PBB20C-12M	12V	8.5A	10V - 13.2V	100W
PBB20C-15M	15V	7A	13.2V - 18V	100W
PBB20C-24M	24V	4.5A	19.2V - 27V	100W
PBB20C-36M	36V	2.8A	28.8V - 39V	100W
PBB20C-48M	48V	2.1A	39V - 53V	100W
PBB20C-3.3R	3.3V	30A	2.85V - 3.6V	150W
PBB20C-5R	5V	30A	4V - 5.5V	150W
PBB20C-9R	9V	16.7A	7.5V - 10V	150W
PBB20C-12R	12V	13A	10V - 13.2V	150W
PBB20C-15R	15V	10A	13.2V - 18V	150W
PBB20C-24R	24V	6.5A	19.2V - 27V	150W
PBB20C-36R	36V	4.3A	28.8V - 39V	150W
PBB20C-48R	48V	3.3A	39V - 53V	150W

PBB20C Series

AC/DC SINGLE OUTPUT SUPPLY

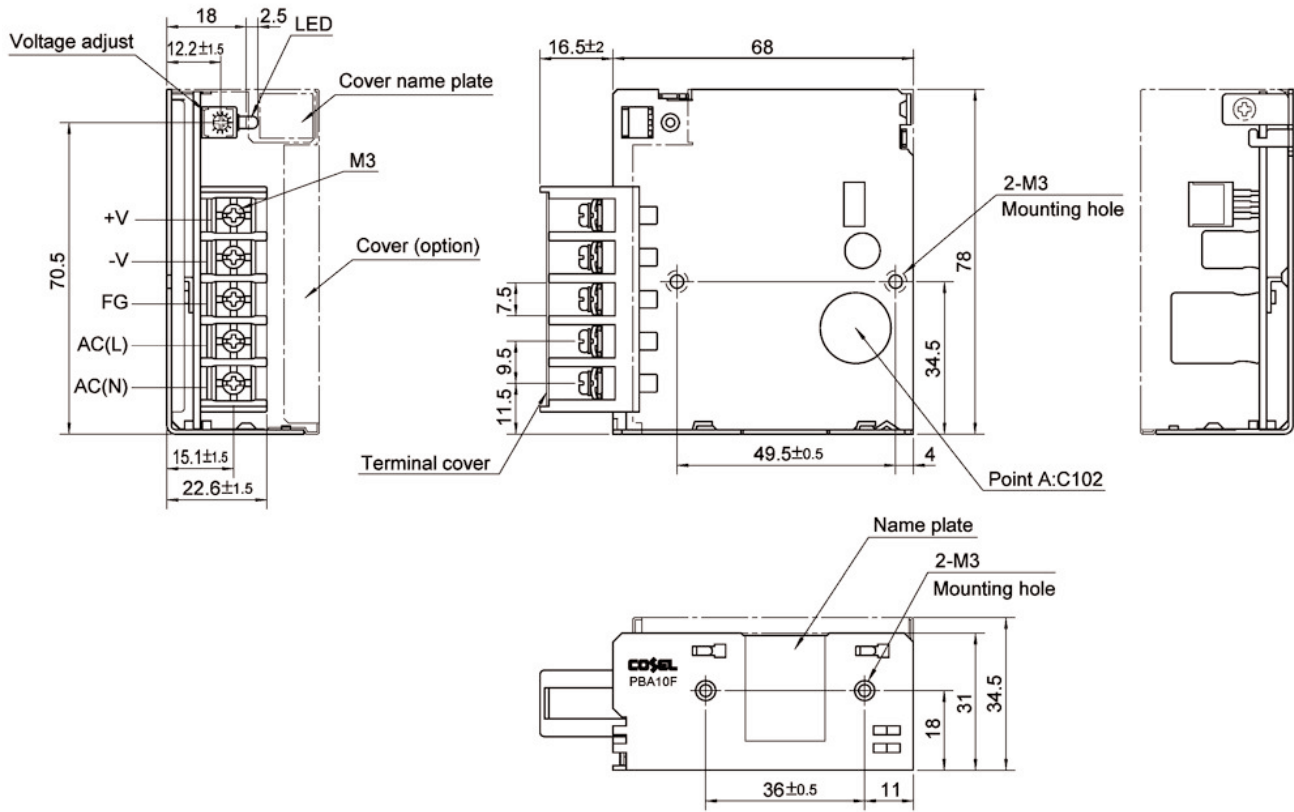
SELECTION TABLE

MODEL NUMBER	OUTPUT		VOLTAGE ADJ	POWER
PBB20C-3.3T	3.3V	60A	2.64V - 3.96V	300W
PBB20C-5T	5V	60A	3.96V - 6V	300W
PBB20C-7.5T	7.5V	40A	5.25V - 8.25V	300W
PBB20C-12T	12V	27A	8.25V - 13.2V	300W
PBB20C-15T	15V	22A	10.5V - 16.5V	300W
PBB20C-24T	24V	14A	16.5V - 26.4V	300W
PBB20C-36T	36V	9A	25.2V - 39.6V	300W
PBB20C-48T	48V	7A	38.4V - 56V	300W
PBB20C-3.3X	3.3V	120A	2.64V - 3.96V	600W
PBB20C-5X	5V	120A	3.96V - 6V	600W
PBB20C-7.5X	7.5V	80A	5.25V - 8.25V	600W
PBB20C-12X	12V	53A	8.25V - 13.2V	600W
PBB20C-15X	15V	43A	10.5V - 16.5V	600W
PBB20C-24X	24V	27A	16.5V - 26.4V	600W
PBB20C-36X	36V	18A	25.2V - 39.6V	600W
PBB20C-48X	48V	13A	38.4V - 56V	600W
PBB20C-3.3W	3.3V	200A	2.64V - 3.96V	1000W
PBB20C-5W	5V	200A	3.96V - 6V	1000W
PBB20C-7.5W	7.5V	134A	5.25V - 8.25V	1000W
PBB20C-12W	12V	88A	8.25V - 13.2V	1000W
PBB20C-15W	15V	70A	10.5V - 16.5V	1000W
PBB20C-24W	24V	44A	16.5V - 26.4V	1000W
PBB20C-36W	36V	29A	25.2V - 39.6V	1000W
PBB20C-48W	48V	22A	38.4V - 56V	1000W
PBB20C-3.3V	3.3V	300A	2.64V - 3.96V	1500W
PBB20C-5V	5V	300A	3.96V - 6V	1500W
PBB20C-7.5V	7.5V	200A	5.25V - 8.25V	1500W
PBB20C-12V	12V	125A	8.25V - 13.2V	1500W
PBB20C-15V	15V	100A	10.5V - 16.5V	1500W
PBB20C-24V	24V	70A	16.5V - 26.4V	1500W
PBB20C-36V	36V	47A	25.2V - 39.6V	1500W
PBB20C-48V	48V	35A	38.4V - 56V	1500W

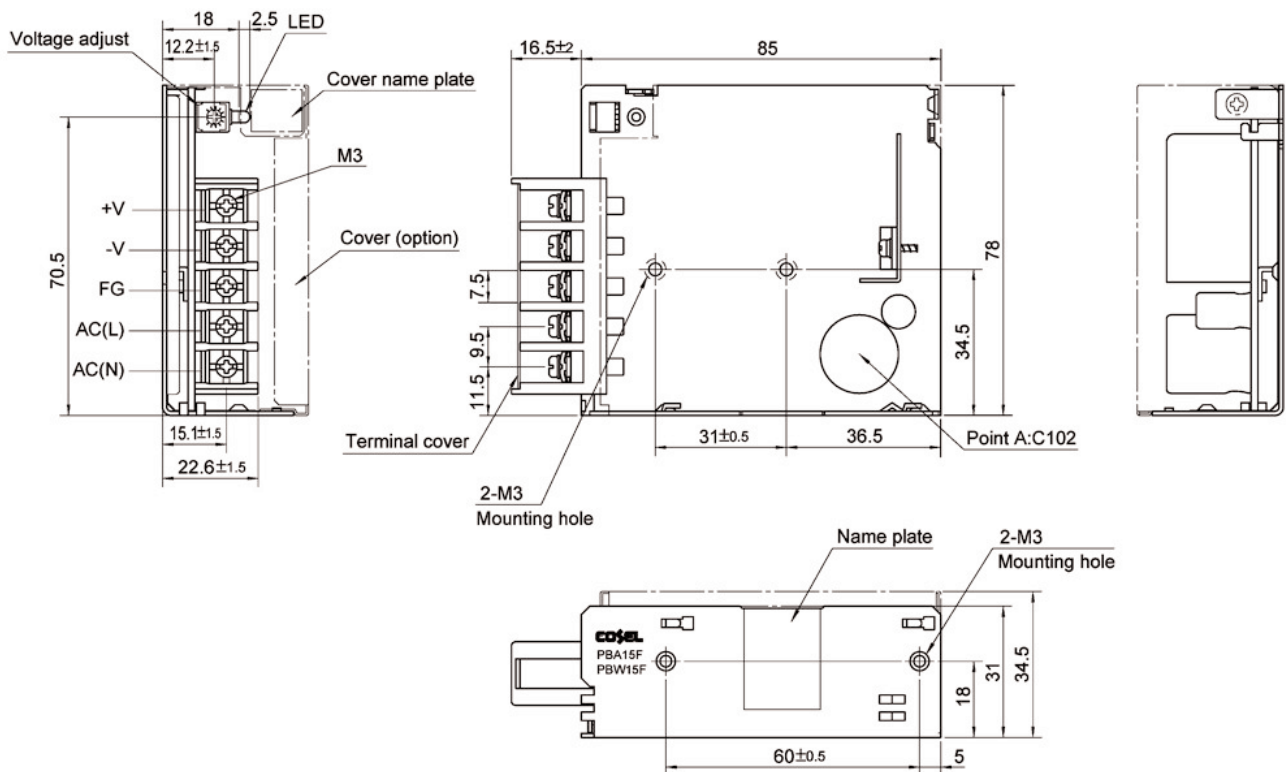
PBB20C Series

AC/DC SINGLE OUTPUT SUPPLY

PBB20C-D 10W



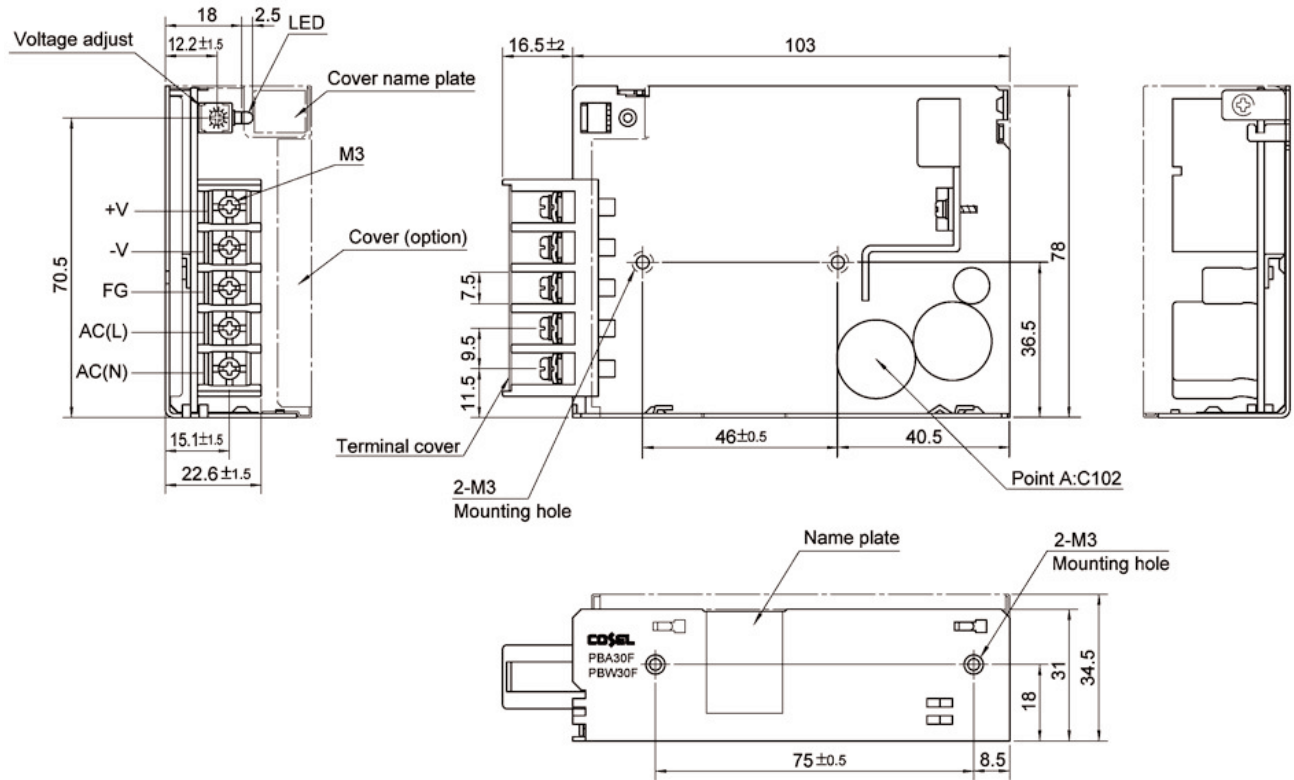
PBB20C-F 15W



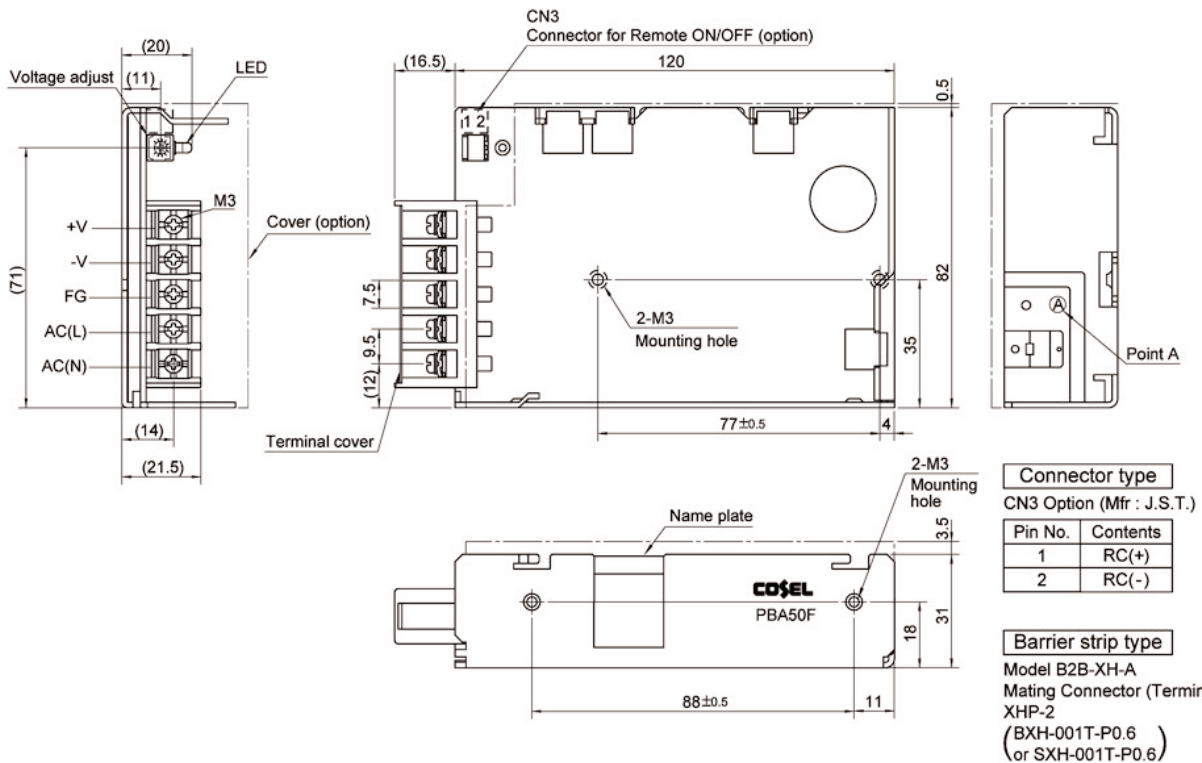
PBB20C Series

AC/DC SINGLE OUTPUT SUPPLY

PBB20C-H 30W



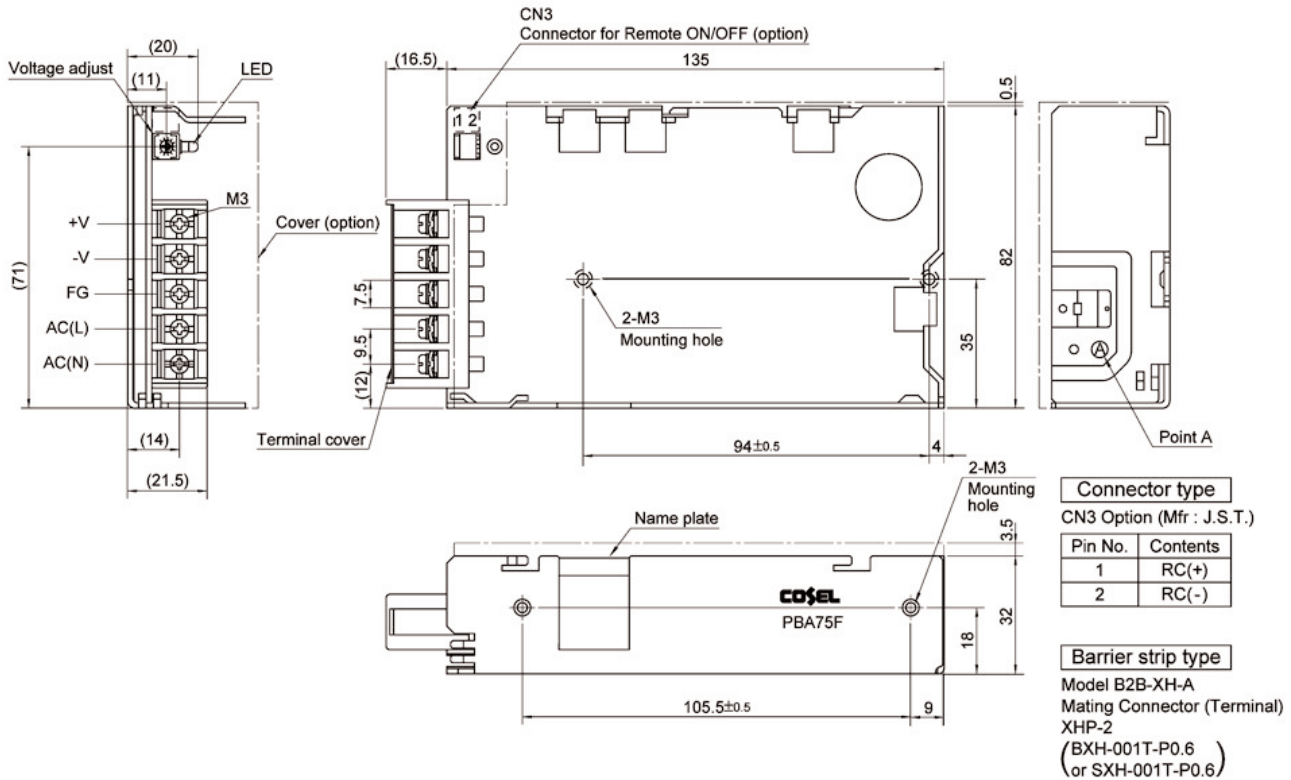
PBB20C-J 50W



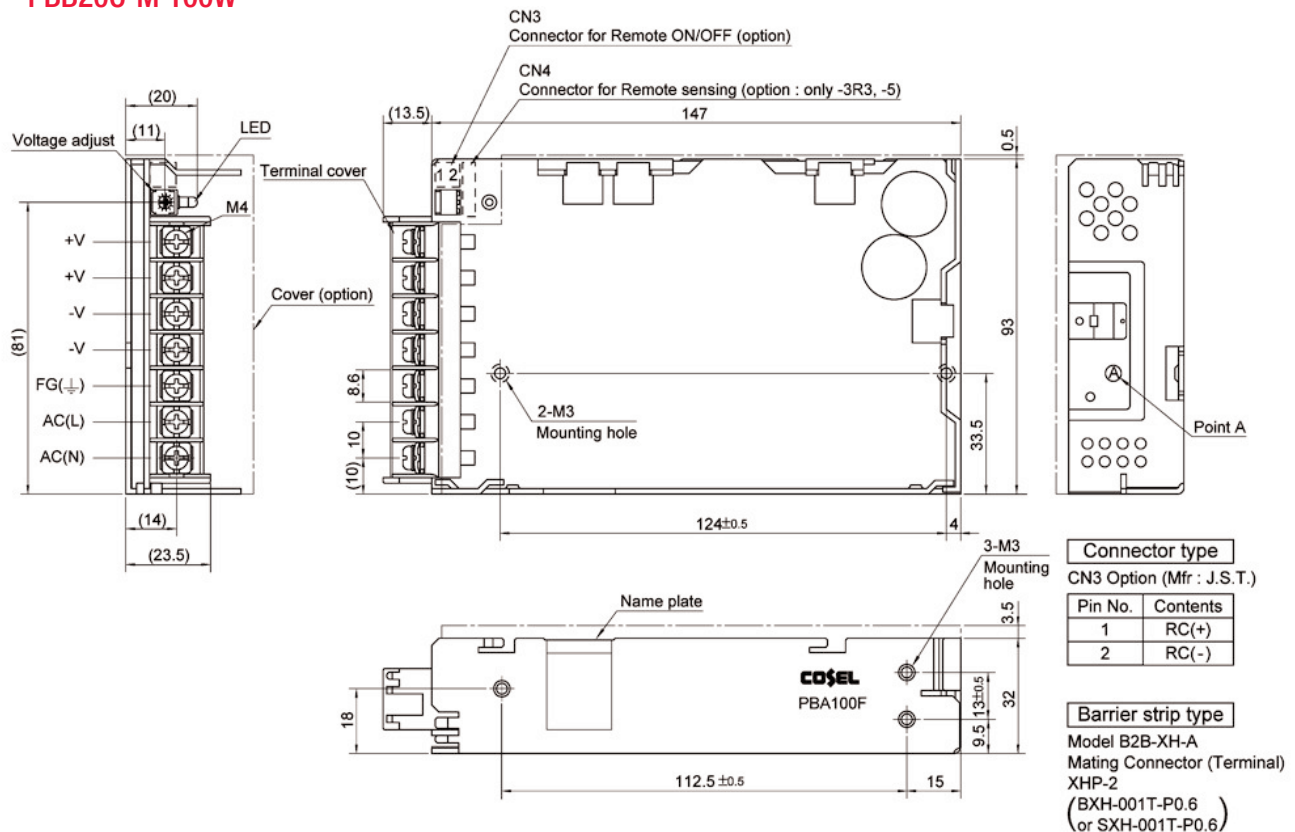
PBB20C Series

AC/DC SINGLE OUTPUT SUPPLY

PBB20C-L 75W



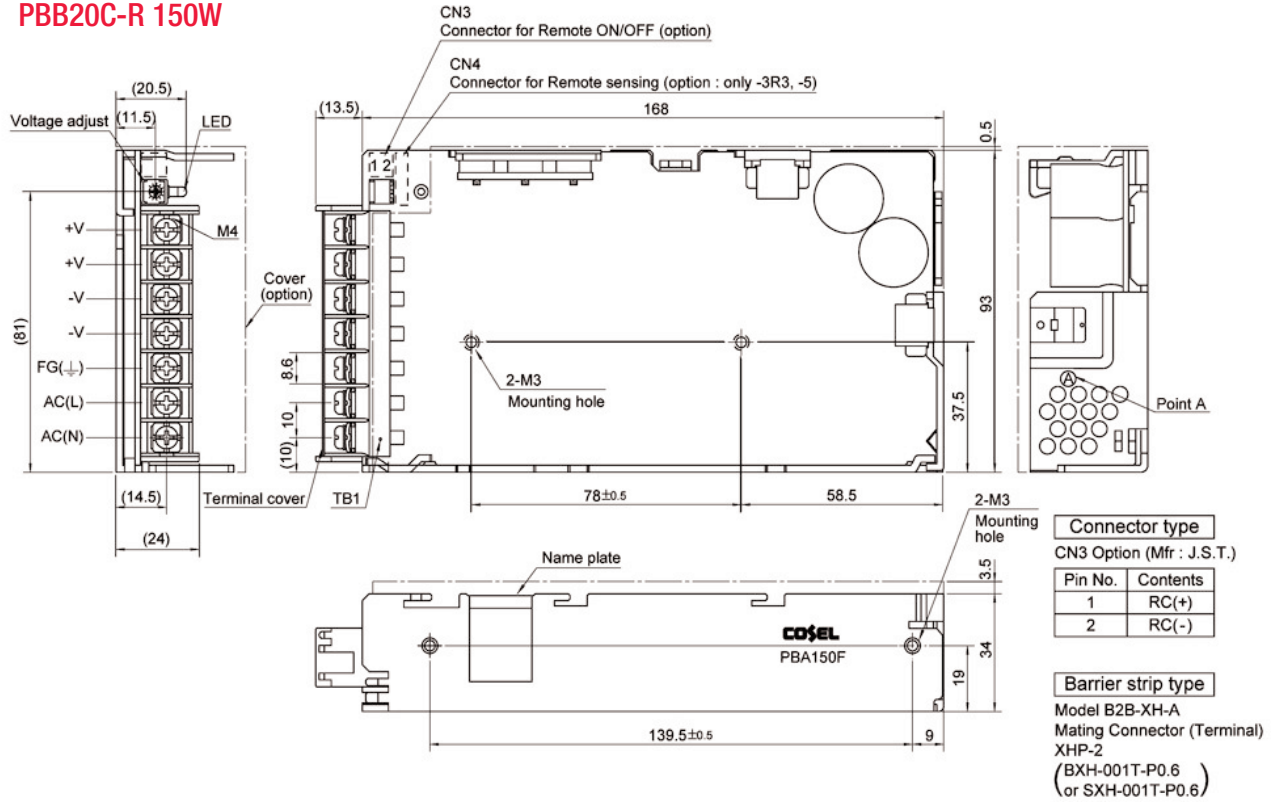
PBB20C-M 100W



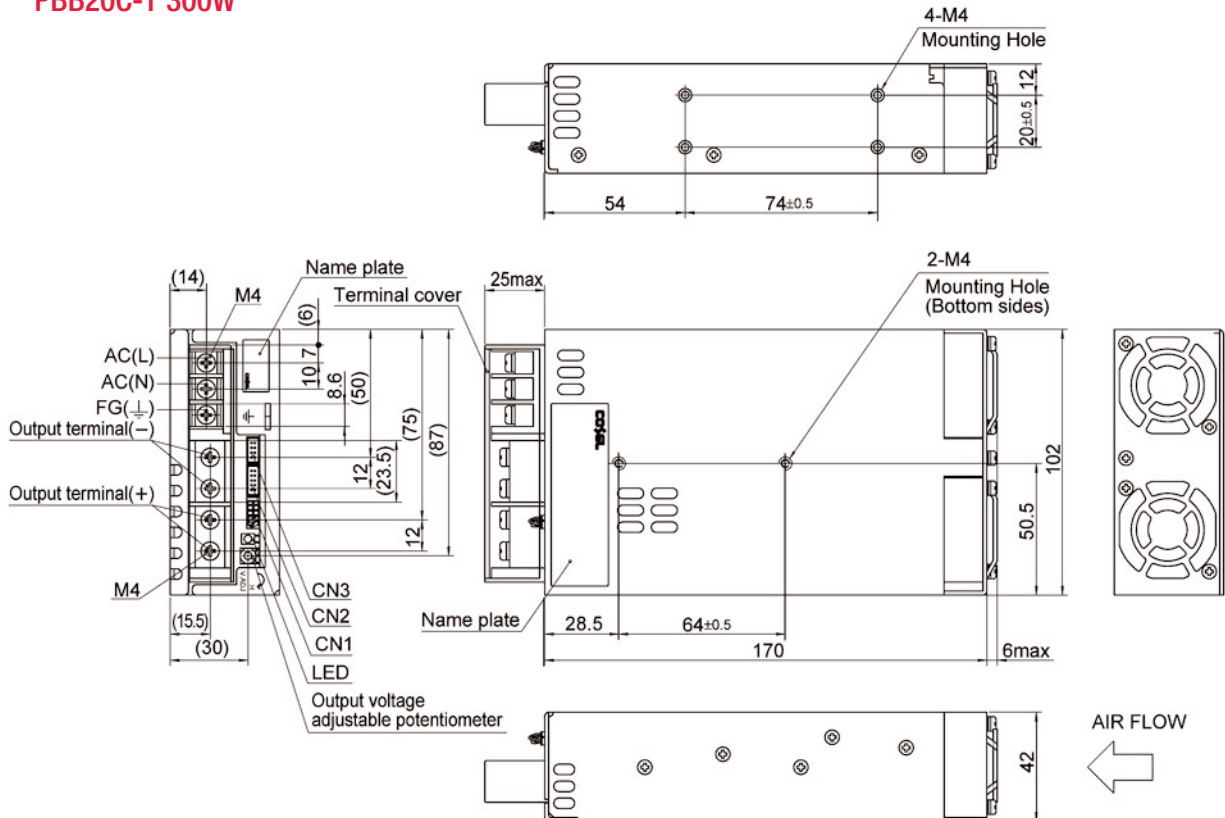
PBB20C Series

AC/DC SINGLE OUTPUT SUPPLY

PBB20C-R 150W



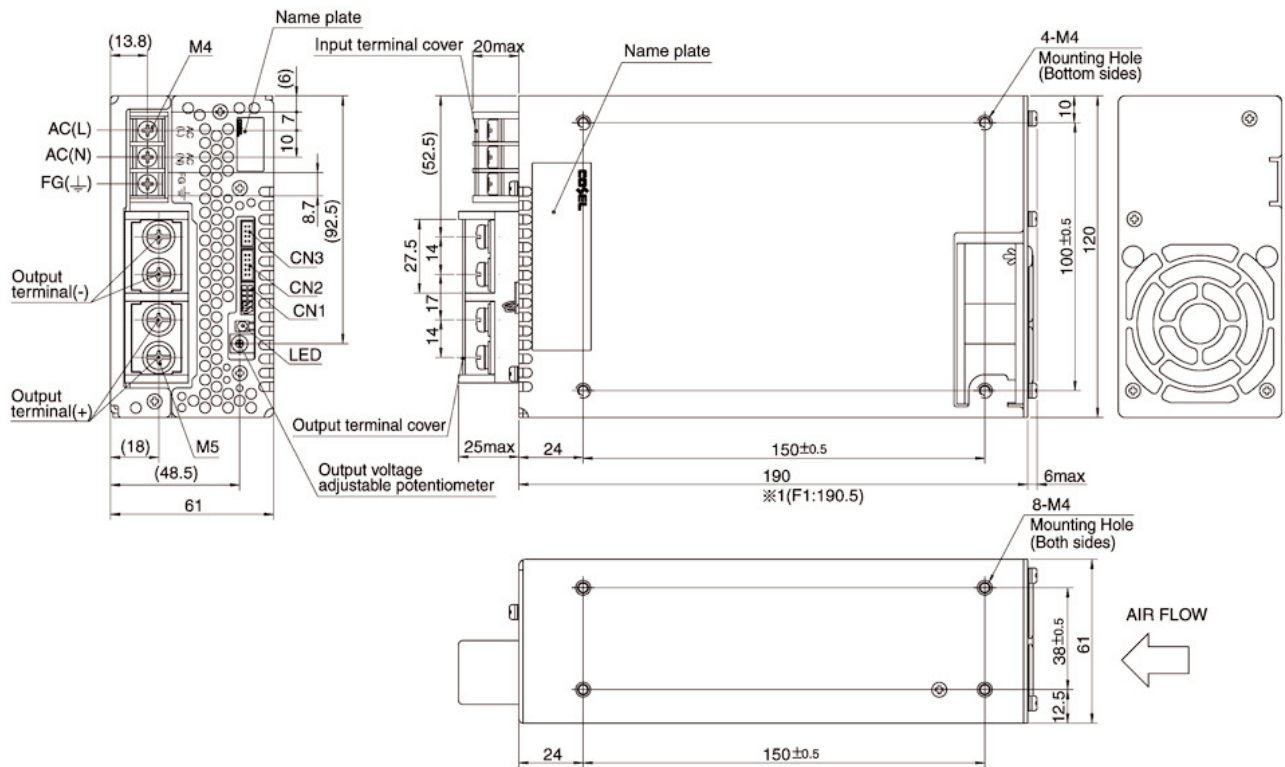
PBB20C-T 300W



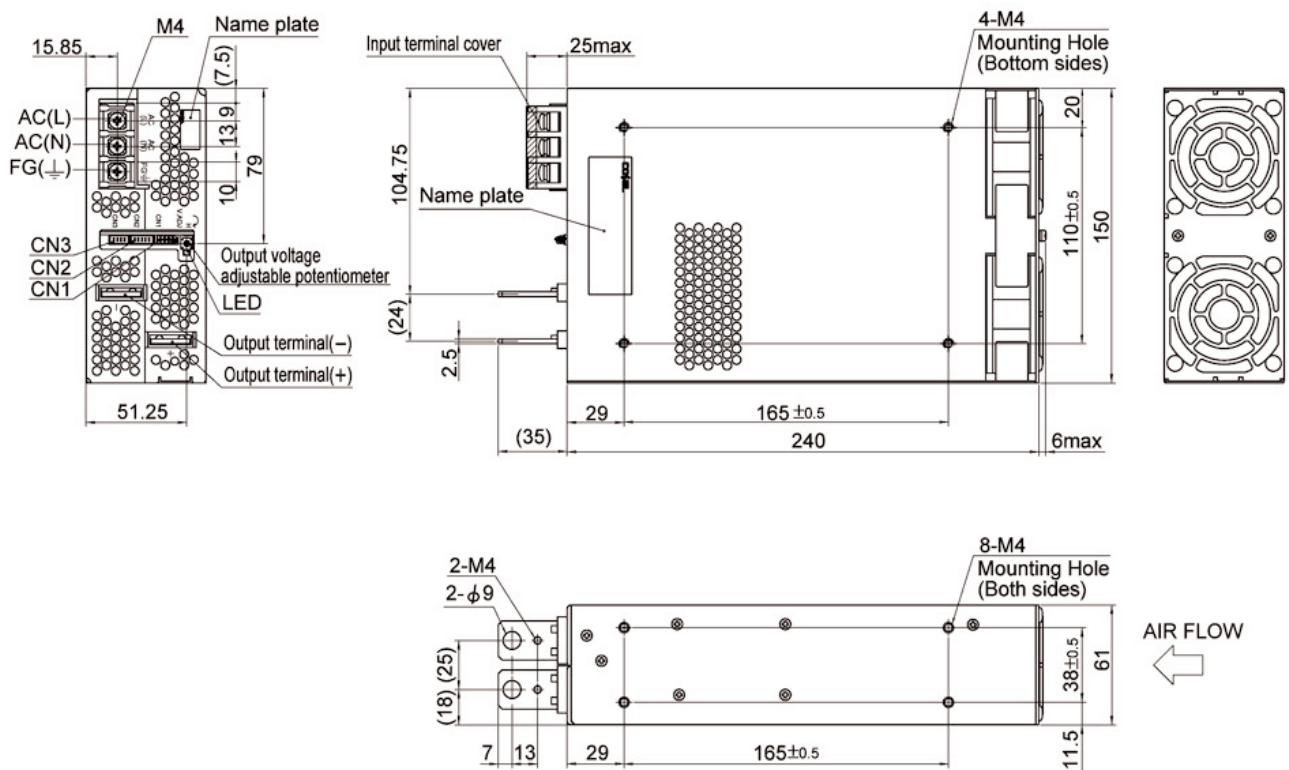
PBB20C Series

AC/DC SINGLE OUTPUT SUPPLY

PBB20C-X 600W



PBB20C-W 1000W



PBB20C Series

AC/DC SINGLE OUTPUT SUPPLY

PBB20C-V 1500W

