

ADSL Magnetics

Lucent WildWire 12V ADSL Full Rate CO

- Designed to meet UL1950 and IEC950 safety requirements
- Operating temperature range: -40° C to +85° C
- Meets IEC 695, 2-2 flammability requirements
- PWB Process Capability: standard printed wiring board assembly techniques, total-immersion cleaning
- Reliability testing: shock, vibration, temperature cycling, temperature - humidity - bias

ELECTRICAL SPECIFICATIONS AT 25° C

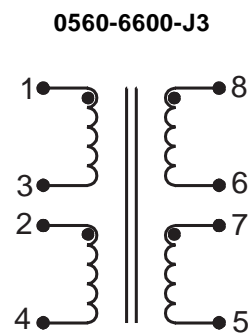
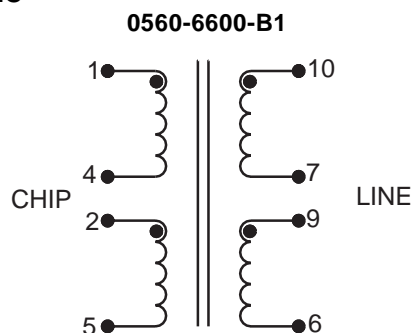
Part Number	Package	Turns Ratio ±2%	Inductance ⁴ μH	DCR Ω max		Leakage Inductance ⁵ μH max	Direct Capacitance ⁶ pF max	Dielectric Rating Vrms min
		(1-5) : (10-6) ²	(1-5) ¹	(1-5) ²	(10-6) ²	(1-5) ³	between (1-5) & (10-6) ²	between (1-5) & (10-6) ²
0560-6600-B1	THT	1 : 1	470	1.5	1.5	10	65	1500

1. connect terminals 2 to 4
2. connect terminals 2 to 4 & 7 to 9
3. connect terminals 2 to 4, short terminals 6, 7, 9, & 10
4. measured at 10 kHz, 0.1 Vrms
5. measured at 100 kHz, 0.1 Vrms
6. measured at 1 kHz, 1 Vrms

Part Number	Package	Turns Ratio ± 2%	Inductance ⁴ μH	DCR ² Ω max		Leakage Inductance ⁵ μH max	Direct Capacitance ⁶ pF max	Dielectric Rating Vrms
		(8-5) : (1-4) ²	(1-4) ¹	(1-4)	(8-5)	(1-4) ³	between (1-4) & (8-5) ²	between (1-4) & (8-5) ²
0560-6600-J3	THT	1 : 1	404 - 456	2.3	2.9	10	60	1500

1. connect terminals 2 to 3
2. connect terminals 2 to 3 & 6 to 7
3. connect terminals 2 to 3, short terminals 5, 6, 7, & 8
4. measured at 10 kHz, 0.1 Vrms
5. measured at 100 kHz, 0.1 Vrms
6. measured at 1 kHz, 1 Vrms

SCHEMATIC

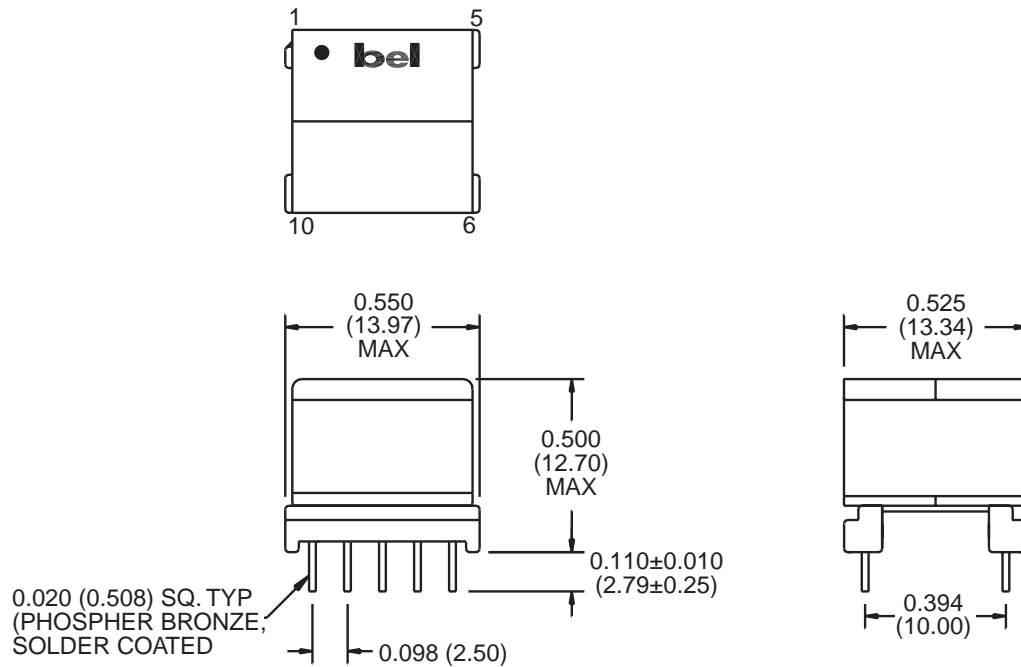


ADSL Magnetics

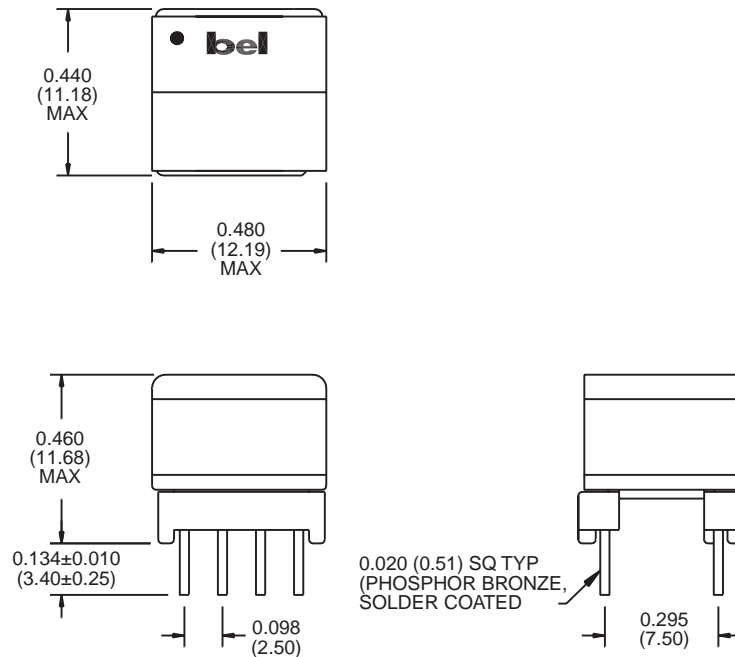
Lucent WildWire 12V ADSL Full Rate CO

MECHANICAL

0560-6600-B1



0560-6600-J3



©2000 Bel Fuse Inc. Specifications subject to change without notice. 04.00

CORPORATE

Bel Fuse Inc.
 198 Van Vorst Street
 Jersey City, NJ 07302
 Tel 201-432-0463
 Fax 201-432-9542
 www.belfuse.com

FAR EAST

Bel Fuse Ltd.
 8F / 8 Luk Hop Street
 San Po Kong
 Kowloon, Hong Kong
 Tel 852-2328-5515
 Fax 852-2352-3706
 www.belfuse.com

EUROPE

Bel Fuse Europe Ltd.
 Preston Technology Management Centre
 Marsh Lane, Suite G7, Preston
 Lancashire, PR1 8UD, U.K.
 Tel 44-1772-556601
 Fax 44-1772-888366
 www.belfuse.com