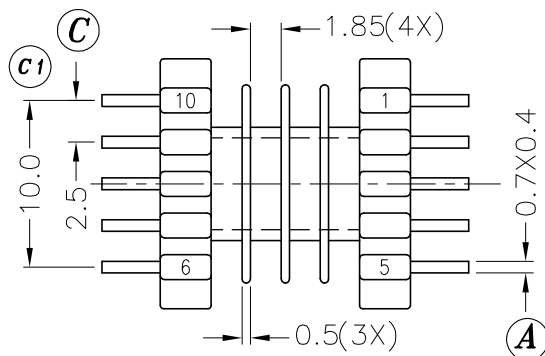
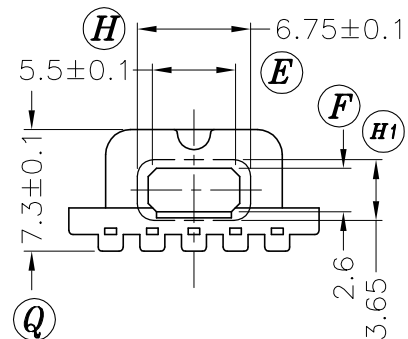
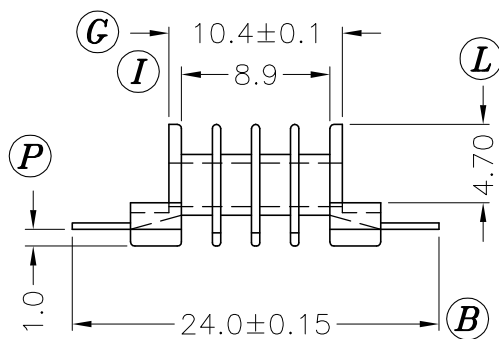
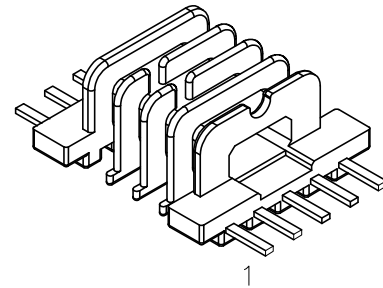
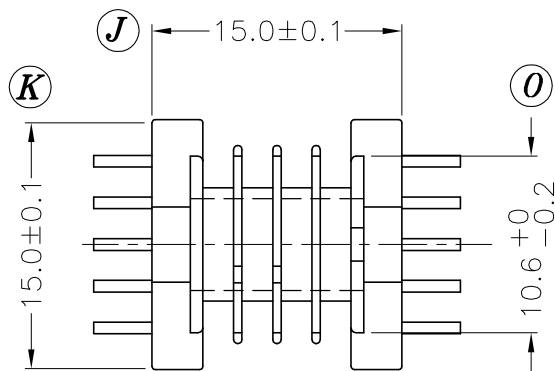


**FERYSTER Inductive Components**

ul. Traugutta 4 , 68-120 Iłowa Poland

http://www.feryster.com.pl e-mail: info@feryster.com.pl



DRAWING NO.	MATERIAL:	ORIGIN:
S-1509-2	LCP E4008	DG

B-029.401L(B-029)

<b>DOSTAWCA:</b>	TOLERANCES		ANGLE:	TITLE: <b>EFD15-K-10P-4S-SMD</b>		
	0 <math>L \le 4</math> ±0.1	COPLANARITY 0.1 MAX	±1°	BOBBIN MATERIAL: LCP E4008		UL REC. UL 94V-0
4 <math>L \le 16</math> ±0.2	UNIT: MM		ORIGIN: SZ	PIN MATERIAL: PHOSPHOR BRONZE		PIN TENSION LOAD: 1.5 KG MIN
FERYSTER Inductive Components			DATE: APR.04 '2003	DRAWING NO. S-1509		REV. 1
Tel: +48 68 360 00 76 fax: +48 68 360 00 70						