

03

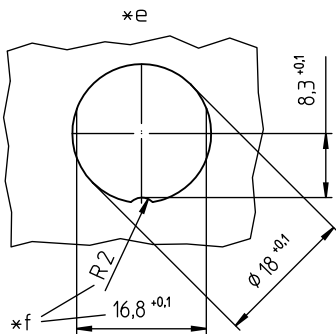
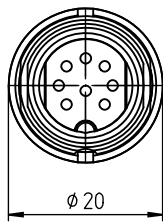
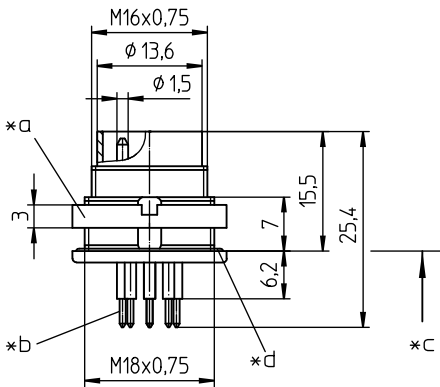
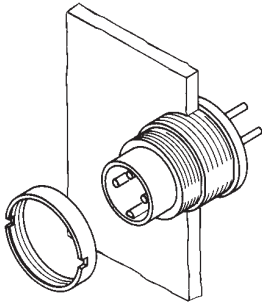
0317-2

Circular connectors with threaded joint M16 acc. to IEC 61076-2-106, IP40/IP67/IP68



SWUM™ chassis plug acc. to IEC 61076-2-106 and AISG specification, IP 68/67, with threaded joint, for printed circuit boards, manual soldering, for rear mounting

03 0317-2



Environmental conditions

Temperature range -40 °C/+85 °C

Materials

Insulating body	PA, V-2 according to UL94
Contact pin	CuZn, silver-plated and flash gold-plated, tin-plated in solder area
Housing	Zn diecast, pre-copper and nickel-plated
Ring screw	CuZn, nickel-plated
Seal	NBR

Mechanical data

Protection class IP68/67¹

¹ according to IEC 60529/DIN EN 60529
IP68: sealed in locked position; pair of appropriate connectors in locked position is sealed against ingress of dust and moisture.

IP67: sealed when unmated (SWUM™); no dust or moisture can ingress into the inside of the device through an unmated connector accidentally left unprotected.
IPX8 requirements under agreement between user and manufacturer

Electrical data (at T_{amb} 20 °C)

Rated current	5 A (T _{amb} 40 °C)
Rated voltage	60 V
Rated impulse voltage	1 kV/60 s
Material group	II (IEC)/I (UL) (CTI ≥ 450)
Overvoltage category	I
Insulation resistance	> 100 MΩ

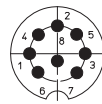
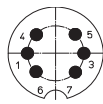
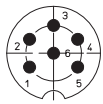
Associated products

Counterparts
 ☞ 0321 ☞ 0322 ☞ 0322-1
 ☞ 0360

Accessories
 ☞ 0383 ☞ 038399 ☞ 0384
 ☞ 0385 ☞ 038899

03

0317-2

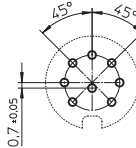
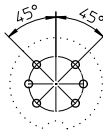
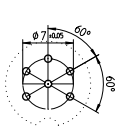


08-a

-

0317-2 06-1

0317-2 08-1



08-a

-

0317-2 06-1

0317-2 08-1

- *a nut enclosed separately
- *b for bore hole in printed circuit board $\varnothing 1$ mm
- *c mounting direction
- *d O-ring gasket
- *e port in mounting plate
- *f anti-rotation, alternative execution

03

0317-2

Designation	Pole Number	PU (Pieces)	MDQ (Pieces)
0317-2 06-1	6	50	100
0317-2 08-1	8	50	100

Packaging:

in a cardboard box