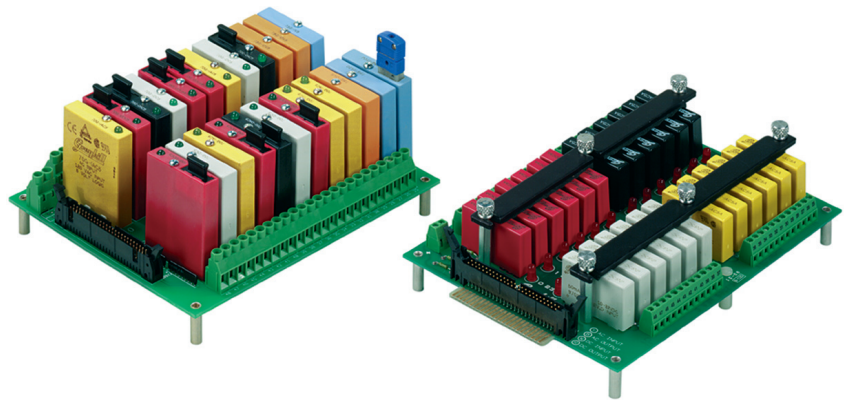


RACKS 24 Channel

FEATURES

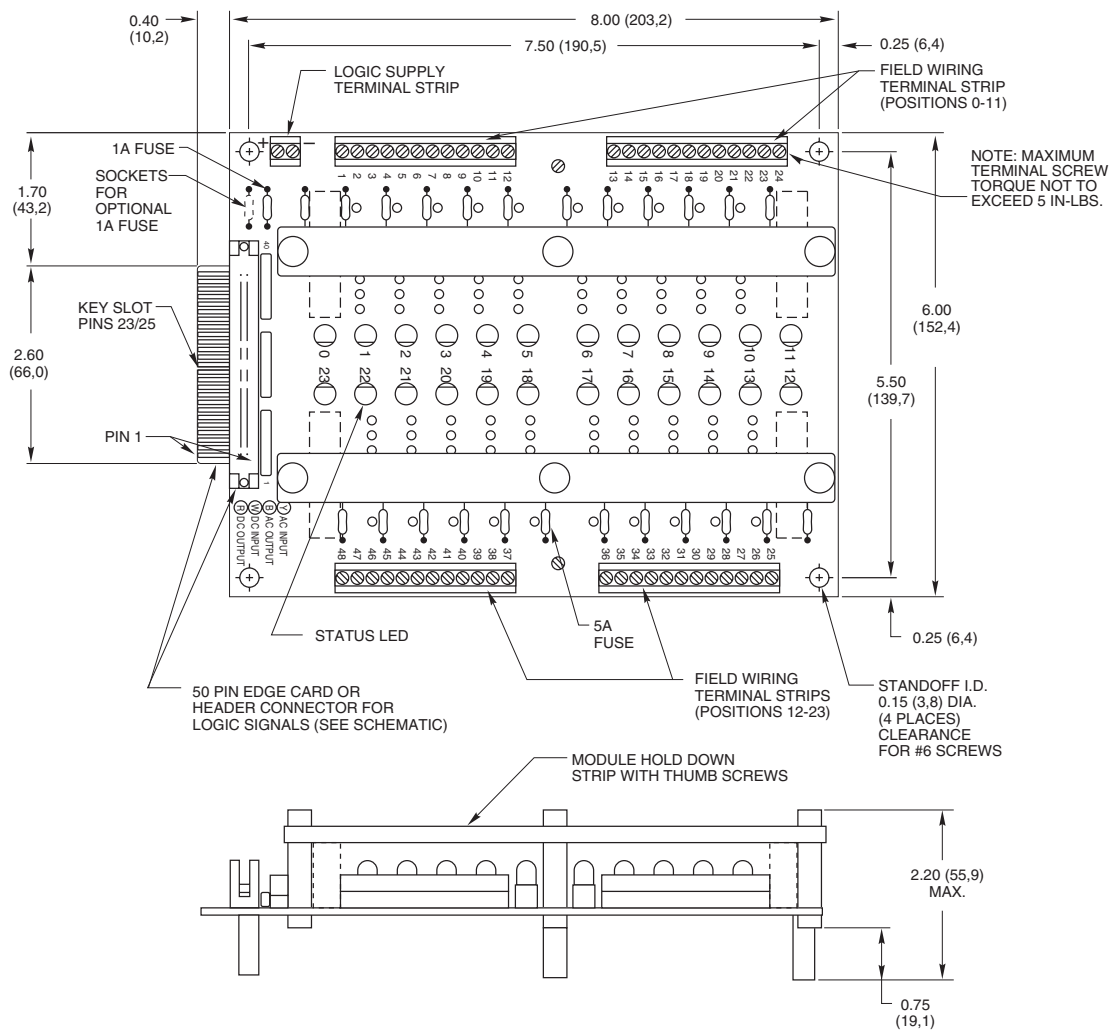
- For use with System 50 Style Controllers
- Available for Miniature, G5 and OpenLine® Modules
- UL, CSA Certified



24 CHANNEL RACK: Miniature

Part No. 70MRCQ24

Dimensions are shown in inches (and millimeters).
Tolerances are ± 0.010 (0,25) unless otherwise specified.



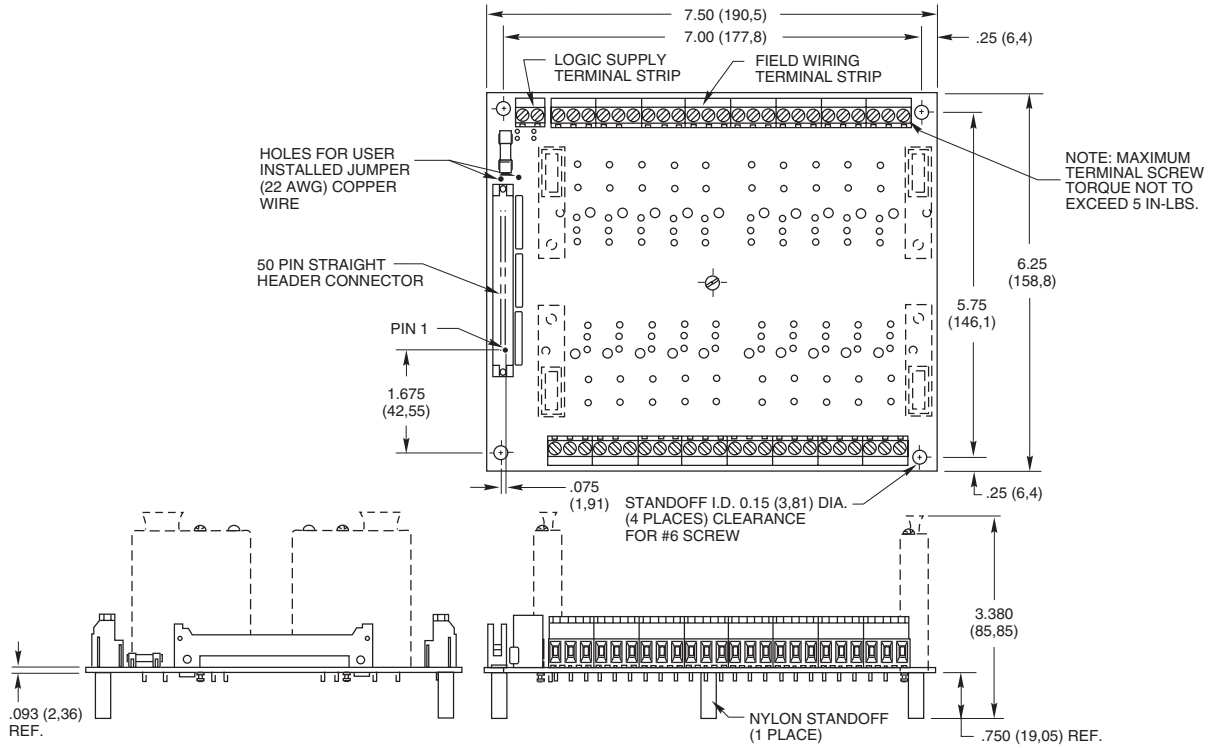
System 50

24 CHANNEL RACK: G5

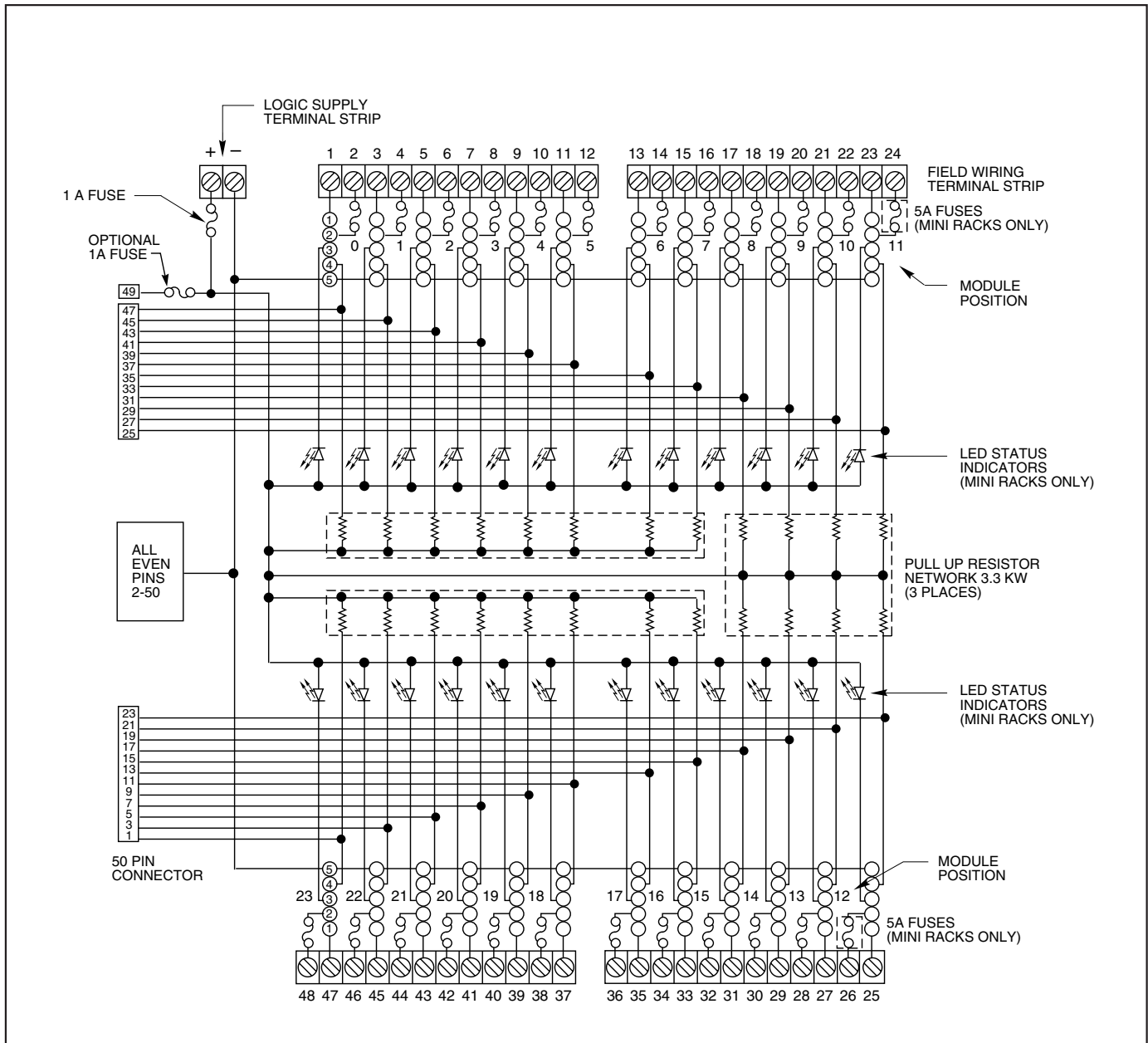
Part No. 70GRCQ24

Dimensions are shown in inches
(and millimeters).

All tolerances are ± 0.010 (0,25)
unless otherwise specified.



SCHEMATIC: PART NO. 70MRCQ24 AND 70GRCQ24



ORDERING INFORMATION (modules ordered separately)

| Part Number | I/O | Description | UL | CSA | Style |
|-------------|-----|-----------------------------------|----|-----|-------|
| 70MRCQ24-EC | 24 | Card edge | X | X | Mini |
| 70MRCQ24-HL | 24 | 50-pin header with ejector levers | X | X | Mini |
| 70GRCQ24-HL | 24 | 50-pin header with ejector levers | X | X | G5 |

Available from your local Grayhill Distributor. For prices and discounts, contact a local Sales Office, an authorized local Distributor, or Grayhill.