

General Description

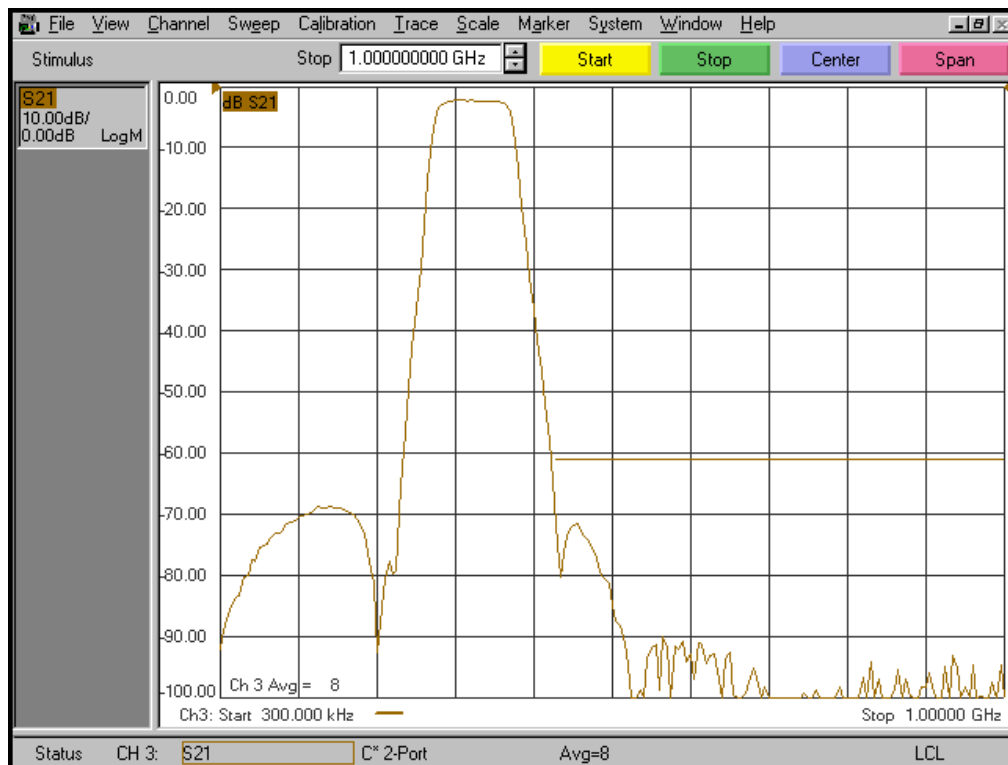
KR Electronics part number 3235-SMA is a 321.4 MHz bandpass filter. The filter has a min 0.5 dB bandwidth of 60 MHz. Other frequencies are available. Please consult the factory.

Features

- 321.4 MHz Bandpass Filter
- Group Delay Equalized
- 0.5 dB Bandwidth 60 MHz min
- 60 dB Bandwidth 200 MHz max
- Sharp Elliptic Type Design
- 50 Ω Source and Load
- SMA Connectors
- Surface Mount Package Available

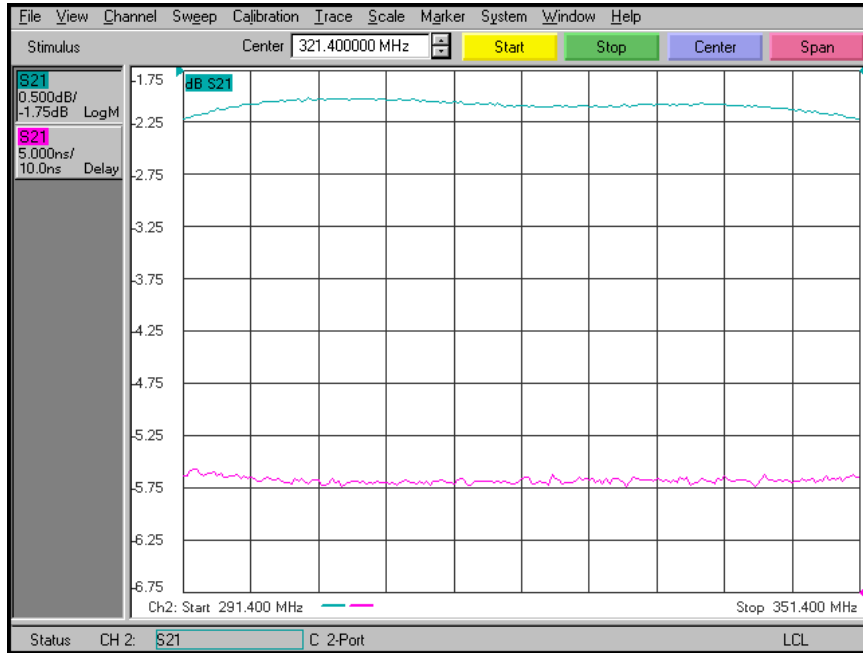
Typical Performance

Overall Response (10 dB/div)



Typical Performance

Passband Amplitude & Group Delay
(0.5 dB/div & 5 nsec/div)



Overall Response
(10 dB/div)

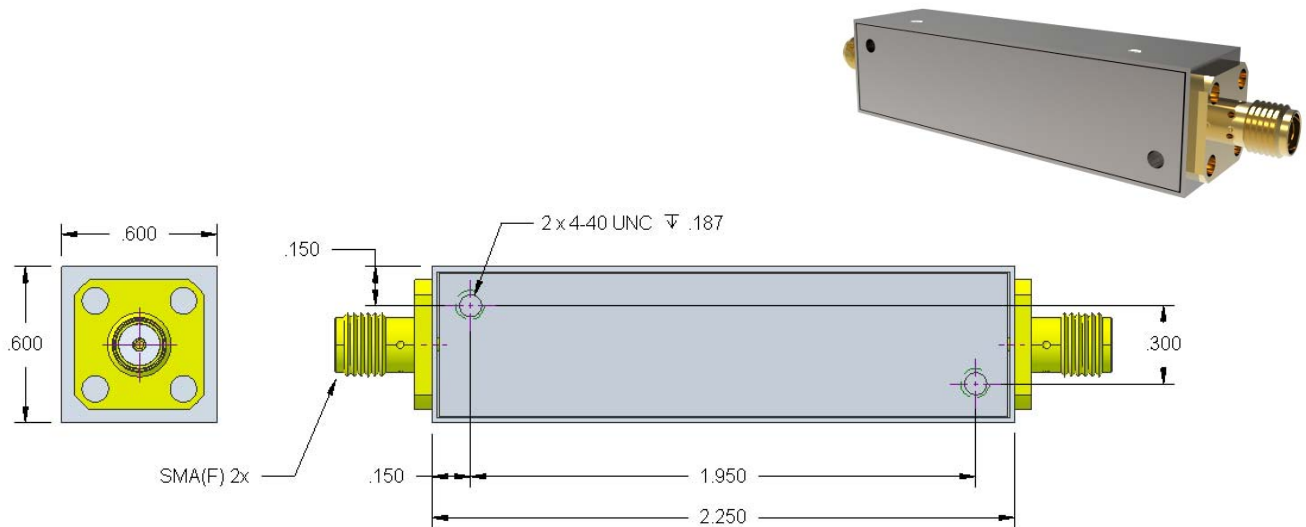


KR Electronics 3235-SMA

Specifications

Parameter	Specification	Notes
Filter type	Bandpass	
Center Frequency (Fc)	321.4 MHz	
Insertion Loss (at Fc)	3.5 dBa max	2.25 dBa typical
0.5 dBc Bandwidth	60 MHz min	
Rejection DC to 229 MHz	60 dBc min	
Rejection 428 MHz to 1000 MHz	60 dBc min	
Source and Load	50 Ω	

Physical Dimensions



Notes:

1. Dimensions in inches
2. Rectangular case
3. Also available in surface mount package

KR Electronics, Inc.
91 Avenel Street
Avenel, NJ 07001

Web www.krfilters.com
Email sales@krfilters.com
Phone (732) 636-1900
Fax (732) 636-1982