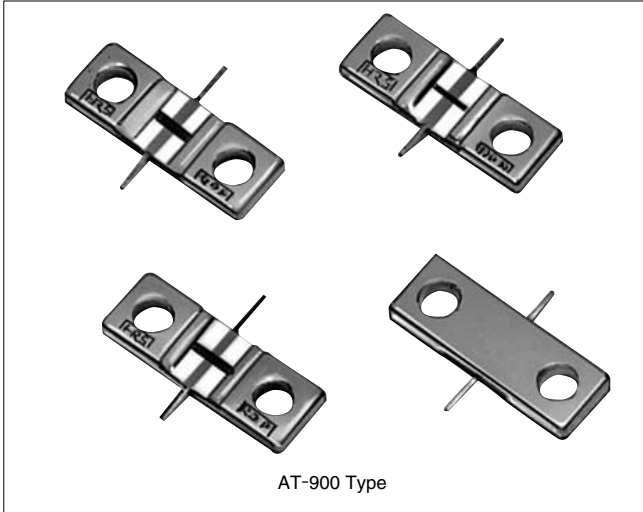


# Stripline Mounting Fixed Attenuators (DC to 8 GHz)

## AT-900 Series



### ■ Features

#### 1. Frequency Range from DC to 8 GHz

Although these attenuators are of the surface mount type, they offer superior high frequency characteristics from DC to 8 GHz.

#### 2. Abundant Variations of Attenuators

Attenuation amounts are available in 11 types from 0 to 10 dB in 1 dB steps.

### ■ Product Specifications

Ratings	Frequency Range (Note) Characteristic impedance Maximum Input Power (Note)	DC to 8.0 GHz 50 ohms 1 W	Operating temperature range Operating relative humidity	-10°C to +65°C 95% Max.
---------	--	---------------------------------	--	----------------------------

Note: The frequency range and the maximum input power will differ depending on the products.

Item	Standard	Conditions
1. Vibration	No electrical discontinuity of 1 $\mu$ s or more No damage, cracks, or parts dislocation	Frequency of 10 to 2000 Hz, overall amplitude of 1.52 mm, acceleration of 98 m/s <sup>2</sup> for 2 hours in each of 3 directions
2. Shock		Acceleration of 490 m/s <sup>2</sup> , sine half-wave waveform, 3 cycles in each of the 3 axis
3. Temperature cycle	No damage, cracks, or parts dislocation	Temperature: -55°C → +5°C to +35°C → +85°C → +5°C to +35°C Time: 30 → 15 max. → 30 → 15 max. (Minutes) 200 cycles

●The test method conforms to MIL-STD-202.

### ■ Materials

Part	Material	Finish
Connector Body	Brass	Nickel plating
Attenuation element	Metal film	-----
Tabs	Copper	Solder plating

### ■ Ordering Information

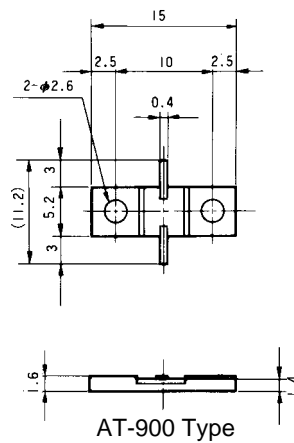
**AT** - **9** **01**  
①                      ②                      ③

① AT: Indicates a fixed attenuator	③ Attenuation 01 : 1dB 06 : 6dB 00-(0) : 0dB (Through) 00-(1.5) : 1.5dB
② Indicates the Series Name: AT-900 Series	

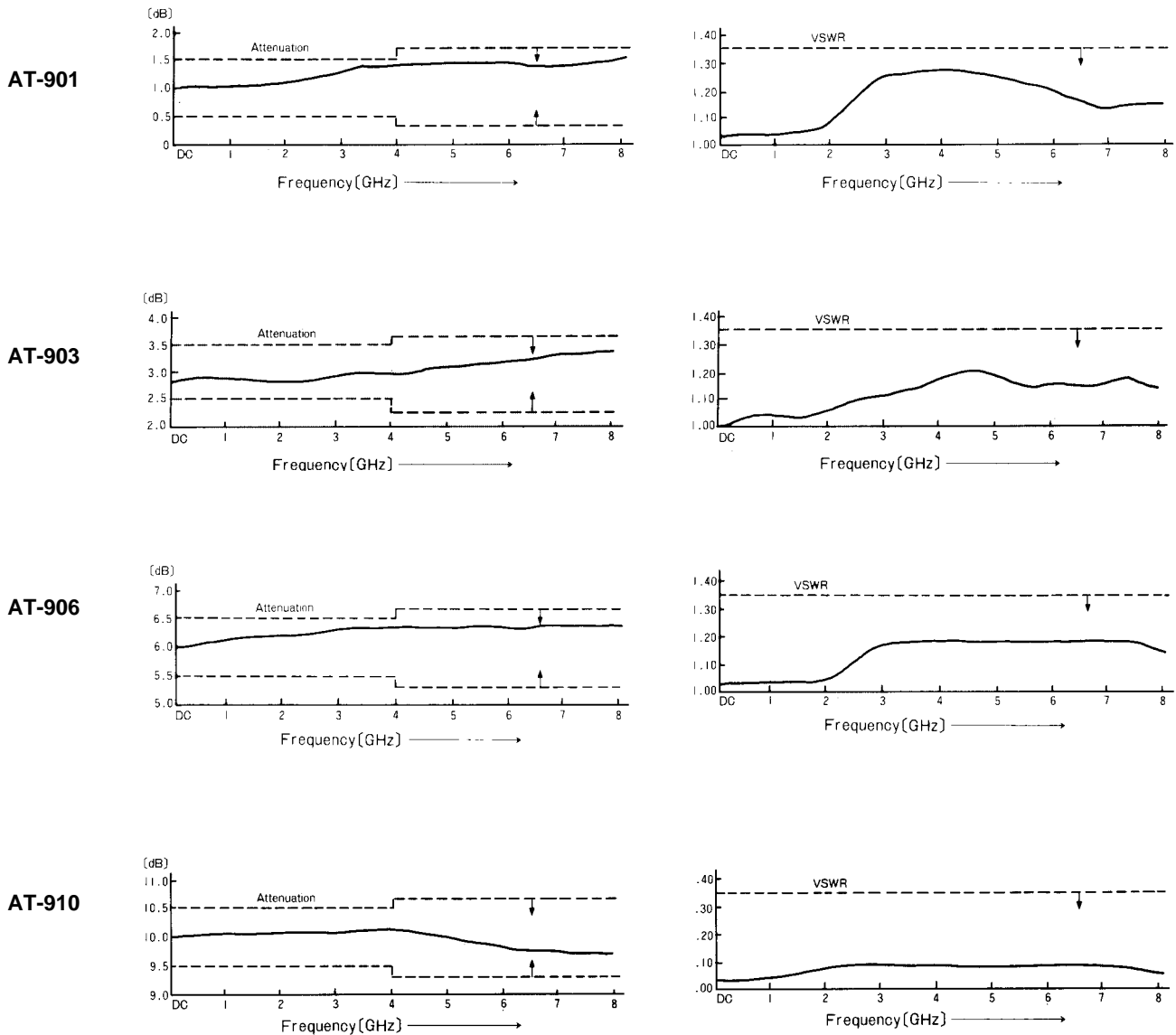
## ■ Specifications

Model No.	Attenuation (dB)		V.S.W.R. (Max) DC~8GHz	Power (W)	Surface Temperature at Maximum Load (°C Max)	Weight (g)
	DC~4GHz	4~8GHz				
<b>AT-900(0)</b>	0 $^{+0.5}$ <sub>0</sub>	0 $^{+0.7}$ <sub>0</sub>	1.35	1	+85	1
<b>AT-901</b>	1±0.5	1±0.7	1.35	1	+85	1
<b>AT-902</b>	2±0.5	2±0.7	1.35	1	+85	1
<b>AT-903</b>	3±0.5	3±0.7	1.35	1	+85	1
<b>AT-904</b>	4±0.5	4±0.7	1.35	1	+85	1
<b>AT-905</b>	5±0.5	5±0.7	1.35	1	+85	1
<b>AT-906</b>	6±0.5	6±0.7	1.35	1	+85	1
<b>AT-907</b>	7±0.5	7±0.7	1.35	1	+85	1
<b>AT-908</b>	8±0.5	8±0.7	1.35	1	+85	1
<b>AT-909</b>	9±0.5	9±0.7	1.35	1	+85	1
<b>AT-910</b>	10±0.5	10±0.7	1.35	1	+85	1

## ■ External Dimensions

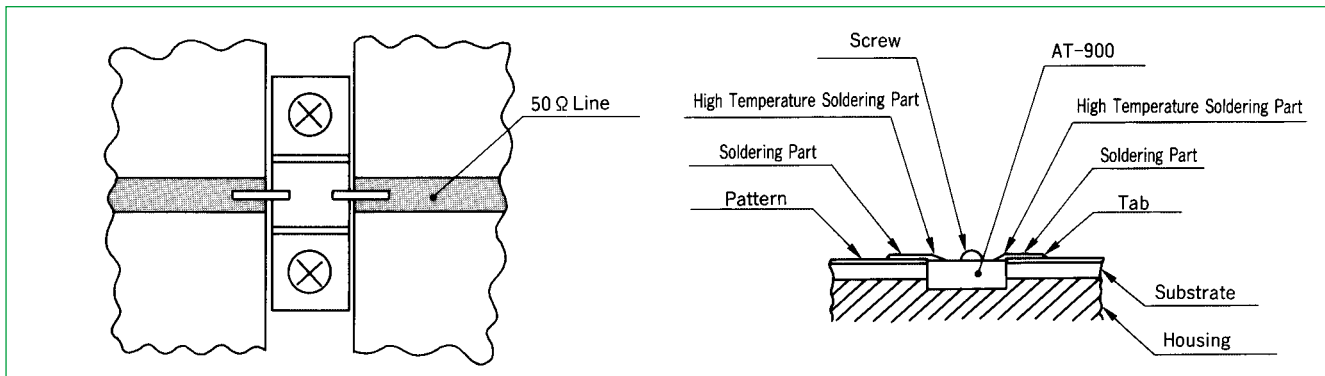


## Typical Data



## Mounting Method

AT-900 Type



- Make the AT-900 tab height from the housing and the thickness of the microstrip board the same amount.
- The tabs are attached with high temperature solder (having a melting point of 280°C). The soldering temperature to the microstrip board must be less than this.