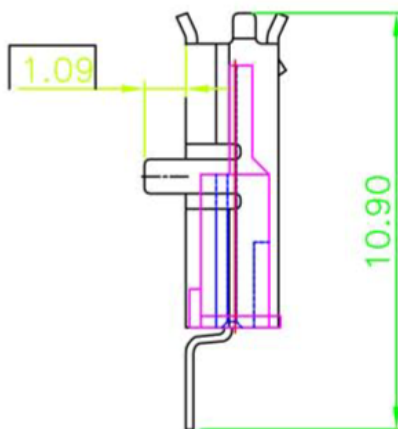
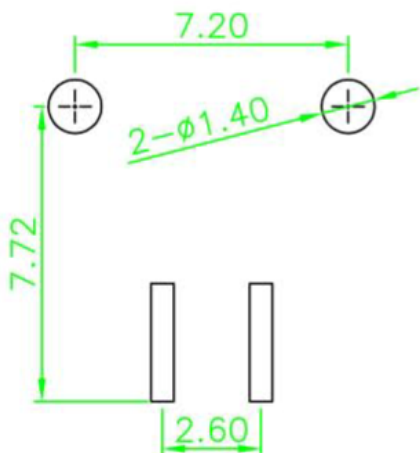
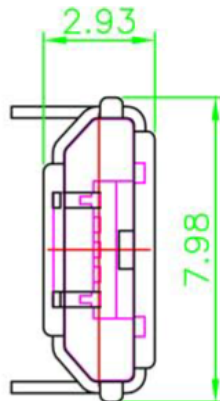
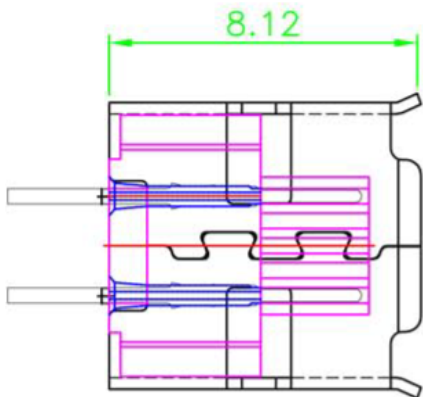


MATERIALS:

PLASTIC HOUSING: ENGINEERING THERMOPLASTIC
 FLAMMABILITY RATING UL 94V-0.

CONTACTS: PHOSPHOR BRONZE
 PLATING: GOLD PLATING OVER NICKEL IN CONTACT.
 TIN PLATING OVER NICKEL IN SOLDER AREA.
 SHIELDED: BRASS WITH NICKEL PLATED



Kinghelm[®]

深圳市金航标电子有限公司

WWW.BDS666.COM

型号: KH-MICRO-SMT.J-2P

0755-83044319

UNIT	SCALE	SHEET
mm	5/1	1 of 1

TITLE :

DRAWN BY	APPROVED BY
Alan	Alan
101201	101201

Micro USB(2Pin)

General Tolerance

DRAW NO :

U301XXXXXX

REV.

A

REV	DESCRIPTION	DATE
-----	-------------	------