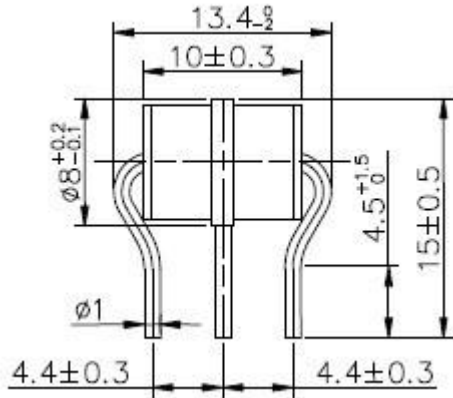


3-Electrode Gas Discharge Tubes

20KA

1: Dimension(mm)



2: Main Applications

- PCI Cards protection
- Telephone/Fax/Modem protection
- single line protection
- ADSL/XDSL Splitter, Power Supply
- Surge Protection Device/Surge Protector

- 100% Lead-Free (RoHS Compliant)
- Non-Radioactive
- Low capacitance ($\leq 1\text{pF}$)
- Fast Response-time, High Insulation Resistance.
- Small size : Ø8x10(mm)

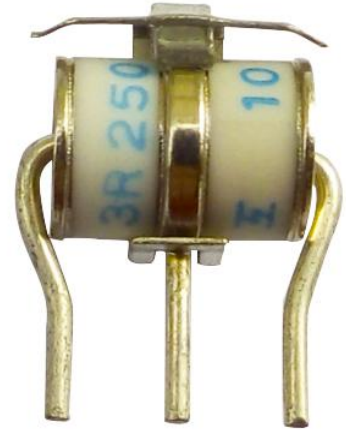
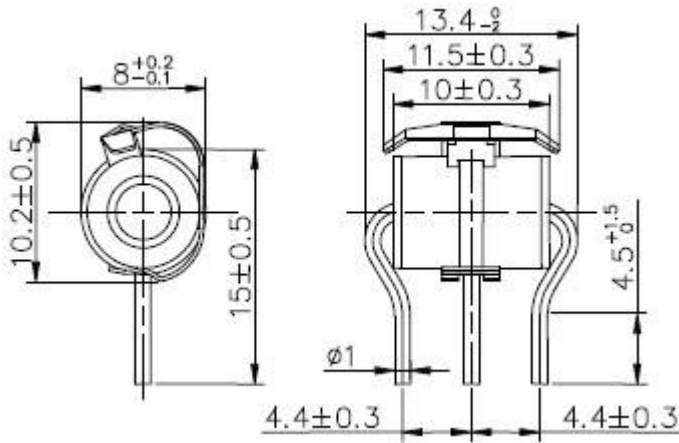
4 Electrical Characteristics

| Part Number | DC Spark-over Voltage @ 100V/S | Impulse Spark-over Voltage @ 100V/ μs | Impulse Spark-over Voltage @ 1KV/ μs | Insulation Resistance | Impulse discharge current (8/20 μs) | AC discharge current (50Hz, 1s, 10times) | Capacitance (1MHz) |
|------------------|--------------------------------|--|---|-----------------------|---|--|--------------------|
| | V | V | V | G Ω | 10 Times | A | PF |
| H3R8-75H | 75±20% | <500 | <600 | >1 | 20KA | 20 | ≤ 1 |
| H3R8-90H | 90±20% | <500 | <600 | >1 | 20KA | 20 | ≤ 1 |
| H3R8-150H | 150±20% | <500 | <600 | >1 | 20KA | 20 | ≤ 1 |
| H3R8-230H | 230±20% | <600 | <700 | >1 | 20KA | 20 | ≤ 1 |
| H3R8-250H | 250±20% | <600 | <700 | >1 | 20KA | 20 | ≤ 1 |
| H3R8-350H | 350±20% | <900 | ≤ 1000 | >1 | 20KA | 20 | ≤ 1 |
| H3R8-420H | 420±20% | <900 | ≤ 1000 | >1 | 20KA | 20 | ≤ 1 |
| H3R8-470H | 470±20% | <1100 | ≤ 1200 | >1 | 20KA | 20 | ≤ 1 |
| H3R8-600H | 600±20% | <1200 | ≤ 1300 | >1 | 20KA | 20 | ≤ 1 |

1: Dimension(mm)

continued

20KA



With Fail-safe

2 Electrical Characteristics

| Part Number | DC Spark-over Voltage @ 100V/S | Impulse Spark-over Voltage @100V/μs | Impulse Spark-over Voltage @1KV/μs | Insulation Resistance | Impulse discharge current(8/20μs) | AC discharge current (50Hz, 1s, 10times) | Capacitance (1MHz) |
|--------------------|--------------------------------|-------------------------------------|------------------------------------|-----------------------|-----------------------------------|--|--------------------|
| With Fail-safe | V | V | V | GΩ | 10 Times | A | PF |
| H3R8-75HF2 | 75±20% | <500 | <600 | >1 | 20KA | 20 | ≤1 |
| H3R8-90HF2 | 90±20% | <500 | <600 | >1 | 20KA | 20 | ≤1 |
| H3R8-150HF2 | 150±20% | <500 | <600 | >1 | 20KA | 20 | ≤1 |
| H3R8-230HF2 | 230±20% | <600 | <700 | >1 | 20KA | 20 | ≤1 |
| H3R8-250HF2 | 250±20% | <600 | <700 | >1 | 20KA | 20 | ≤1 |
| H3R8-350HF2 | 350±20% | <900 | ≤ 1000 | >1 | 20KA | 20 | ≤1 |
| H3R8-420HF2 | 420±20% | <900 | ≤ 1000 | >1 | 20KA | 20 | ≤1 |
| H3R8-470HF2 | 470±20% | <1100 | ≤ 1200 | >1 | 20KA | 20 | ≤1 |
| H3R8-600HF2 | 600±20% | <1200 | ≤ 1300 | >1 | 20KA | 20 | ≤1 |

Packing Quantity : 100PCS

Specifications are subject to change without notice

sales@huaandz.com