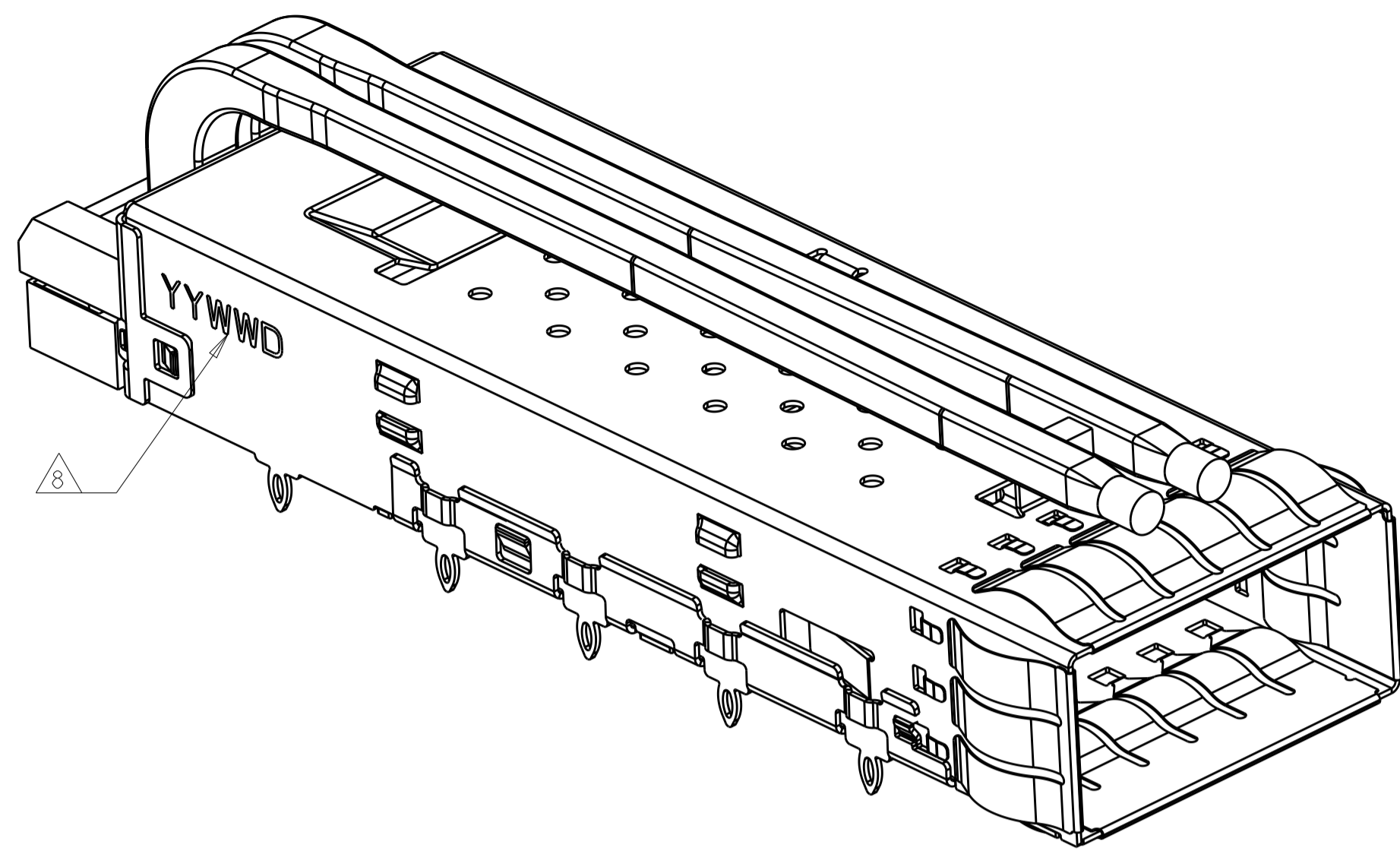
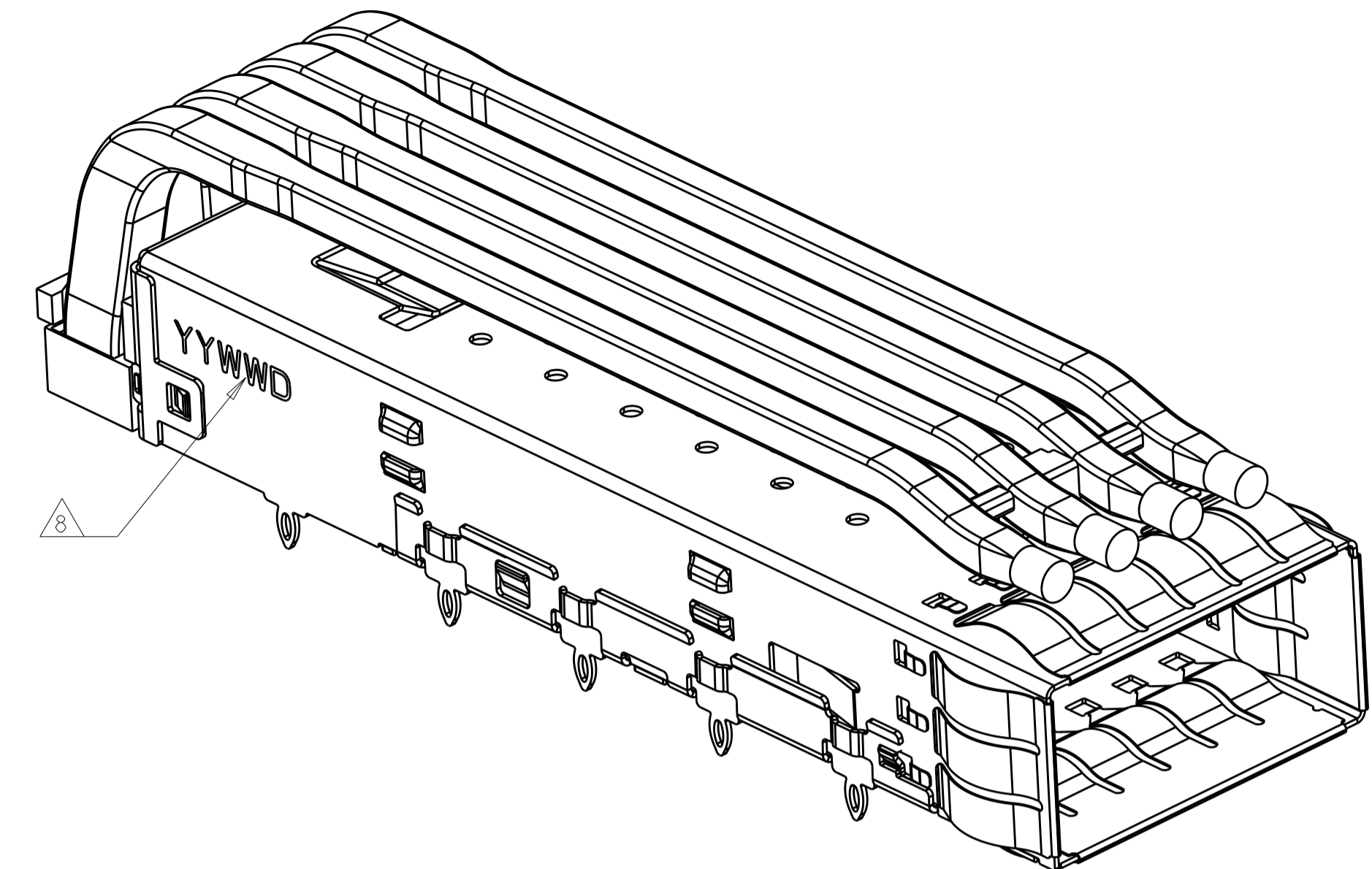


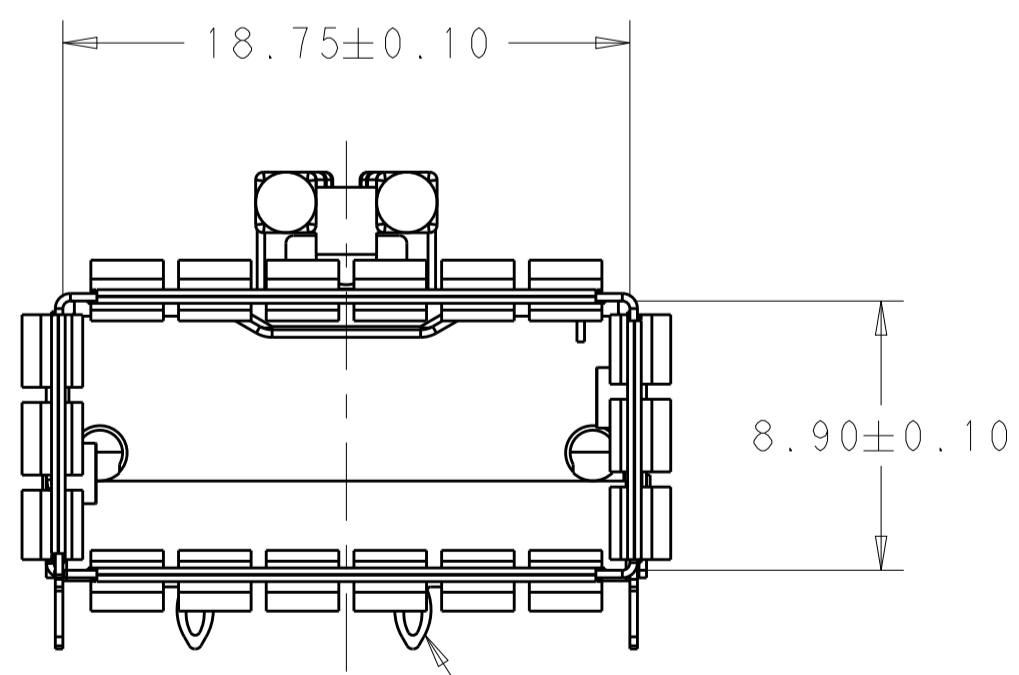
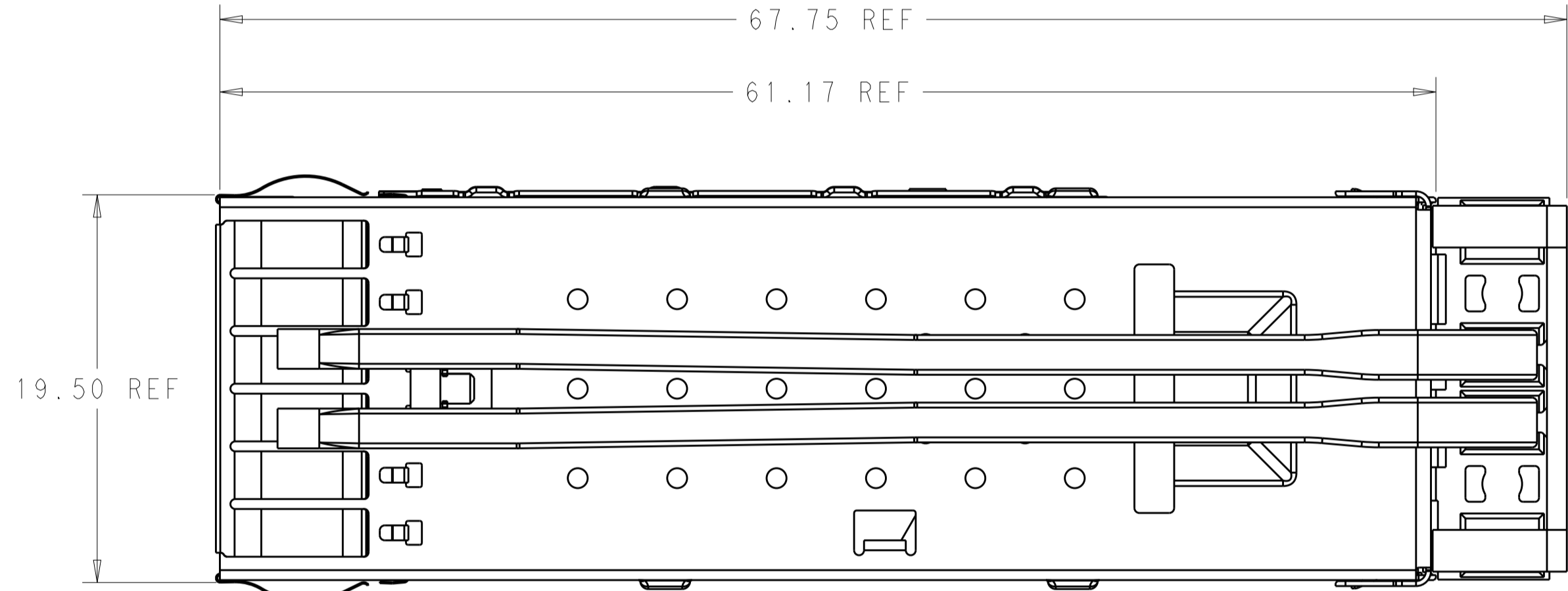
REVISIONS				
P.	LTN	DESCRIPTION	DATE	DWN - APVD
A		RELEASE	03NOV2016	JY SH



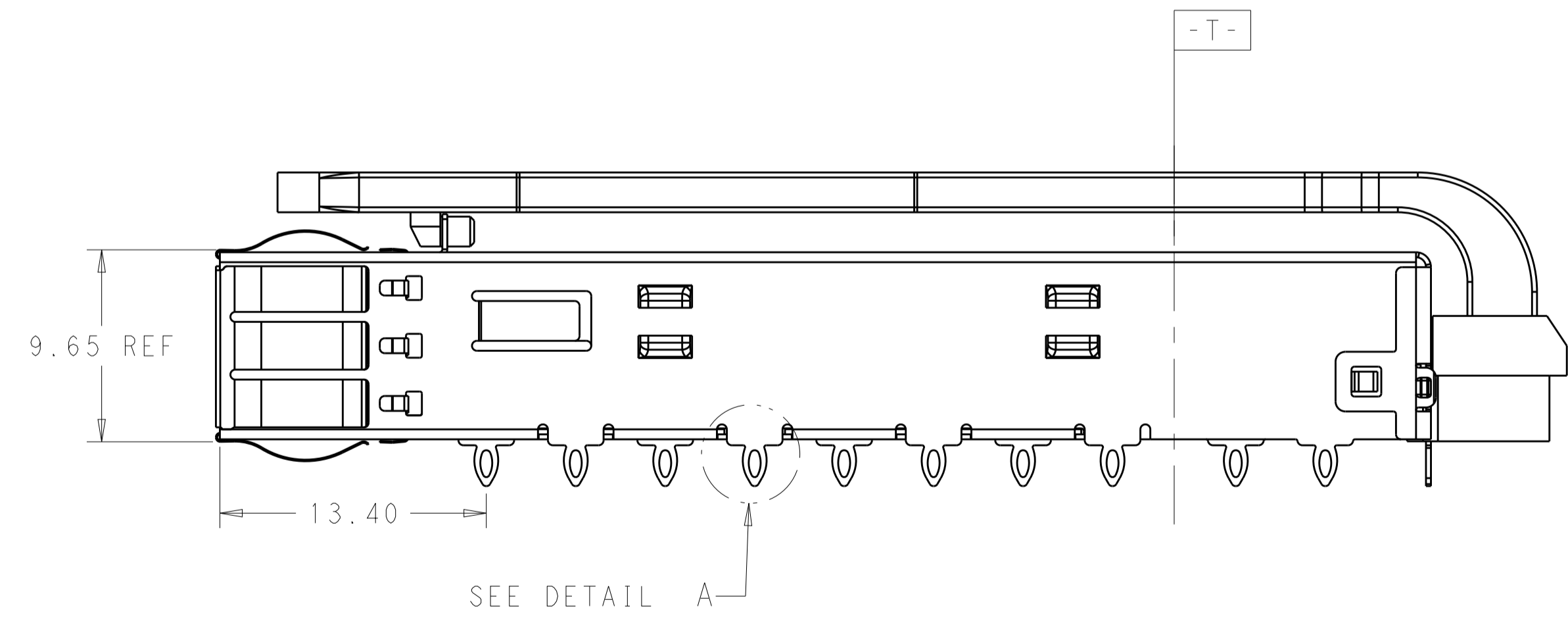
2170773-1 AS SHOWN  
SCALE 4:1



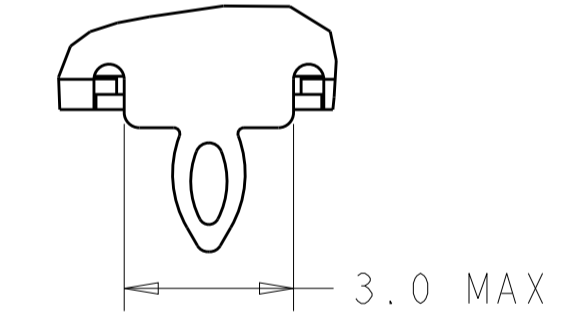
2170773-4 AS SHOWN  
SCALE 4:1



REAR PINS OPTION



- MATERIAL:  
CAGE MATERIAL : 0.25 THICK NICKEL SILVER.  
SPRING MATERIAL: COPPER ALLOY  
LIGHT PIPE MATERIAL: POLYCARBONATE WITH 94 V-0  
ORGANIZER MATERIAL: POLYESTER WITH 94 V-0
- FINISH:  
SPRING: NICKEL PLATING
- DIMENSION APPLIES WITH MODULE INSTALLED IN THE CAGE TO TOP OF HEAT SINK.
- REFERENCE APPLICATION SPEC 114-32023 FOR RECOMMENDED DRILL HOLE DIAMETER AND PLATING THICKNESS.
- DATUM AND BASIC DIMENSIONS ESTABLISHED BY CUSTOMERS.
- MINIMUM PC BOARD THICKNESS : SINGLE SIDED: 1.57 MIN  
DOUBLE SIDED: 2.20 MIN
- DATUM -A- IS TOP SURFACE OF THE HOST BOARD.
- DATE CODE (YYWWD) MARKED APPROXIMATELY AS SHOWN
- MATES WITH QSFP28 MSA COMPATIBLE TRANSCEIVER.
- THESE HOLES ARE OPTIONAL WHEN THE REAR PINS ARE REMOVED.



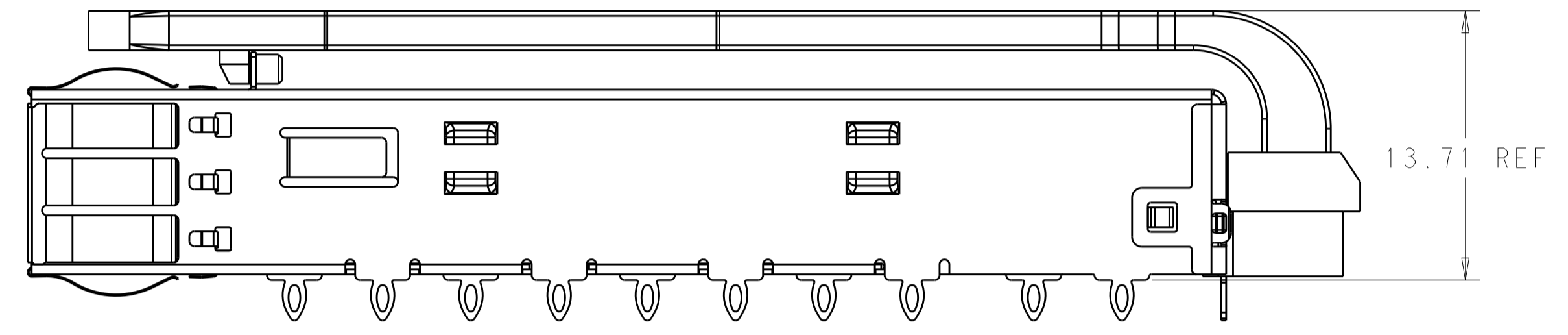
DETAIL A  
SCALE 8:1

SINGLE	0	2170773-7
QUAD	0	2170773-6
QUAD	1	2170773-5
QUAD	2	2170773-4
DUAL	0	2170773-3
DUAL	1	2170773-2
DUAL	2	2170773-1
LIGHT PIPE OPTION	# OF REAR PINS OPTION	PART NUMBER

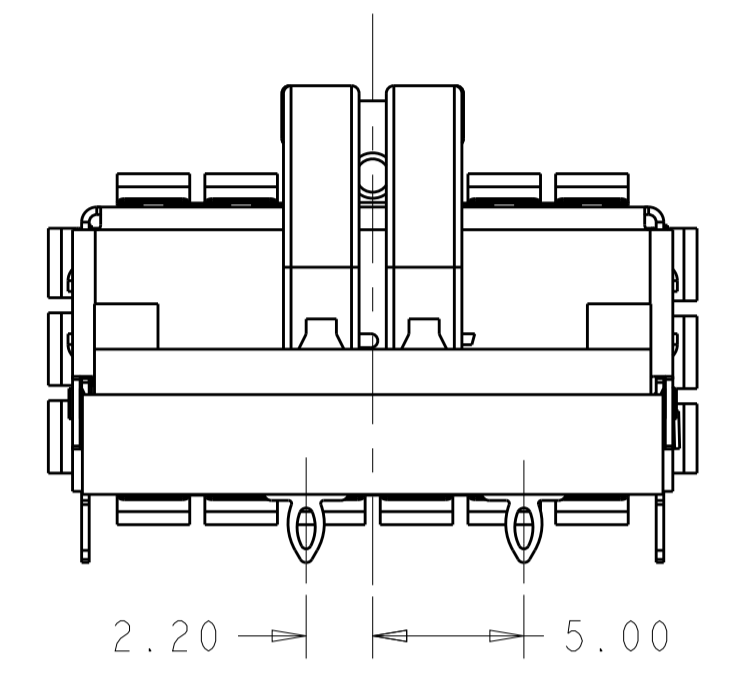
THIS DRAWING IS A CONTROLLED DOCUMENT.		DWN: JASON YANG 23SEP2013	TE Connectivity
DIMENSIONS: mm		CHK: SEAN HAN 23SEP2013	
TOLERANCES UNLESS OTHERWISE SPECIFIED:		APVD: SEAN HAN 23SEP2013	NAME: CAGE ASSEMBLY, QSFP28, THRU BEZEL WITH EMI SPRING FINGER LIGHT PIPE
0 PLC	±0.25	PRODUCT SPEC	108-19428
1 PLC	±0.25	APPLICATION SPEC	114-32023
2 PLC	±0.20	SIZE	A100779C=2170773
3 PLC	±0.100	WEIGHT	
4 PLC	±	CUSTOMER DRAWING	SCALE 2:1 SHEET 1 OF 7 REV A
ANGLES	±		
FINISH			

REVISIONS				
P. LTR.	DESCRIPTION	DATE	OWN	APVD
-	SEE SHEET 1	-	-	-

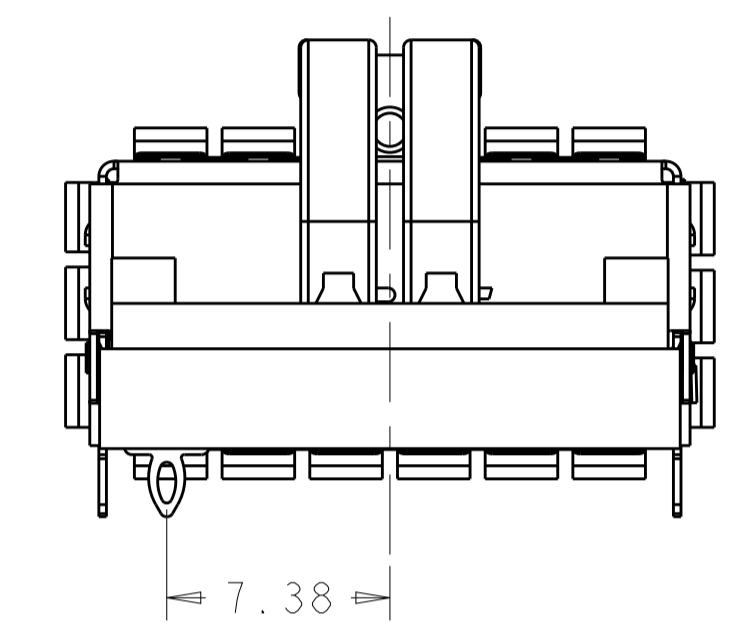
### # OF REAR LEGS OPTION



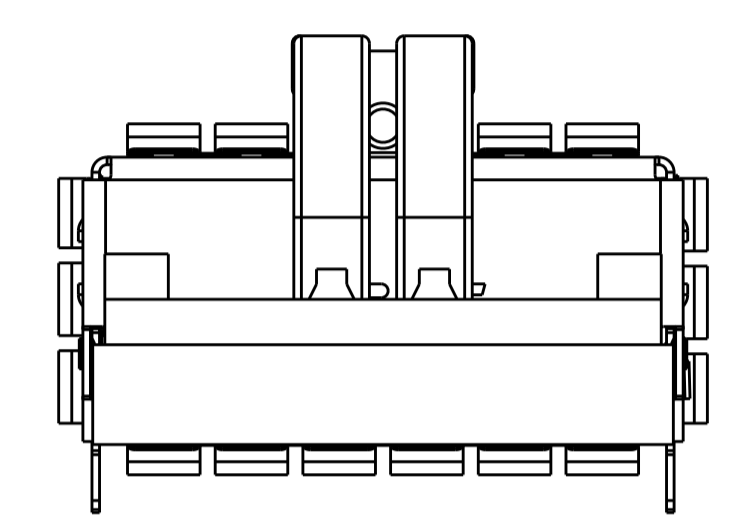
PN: 2170773-1/2/3



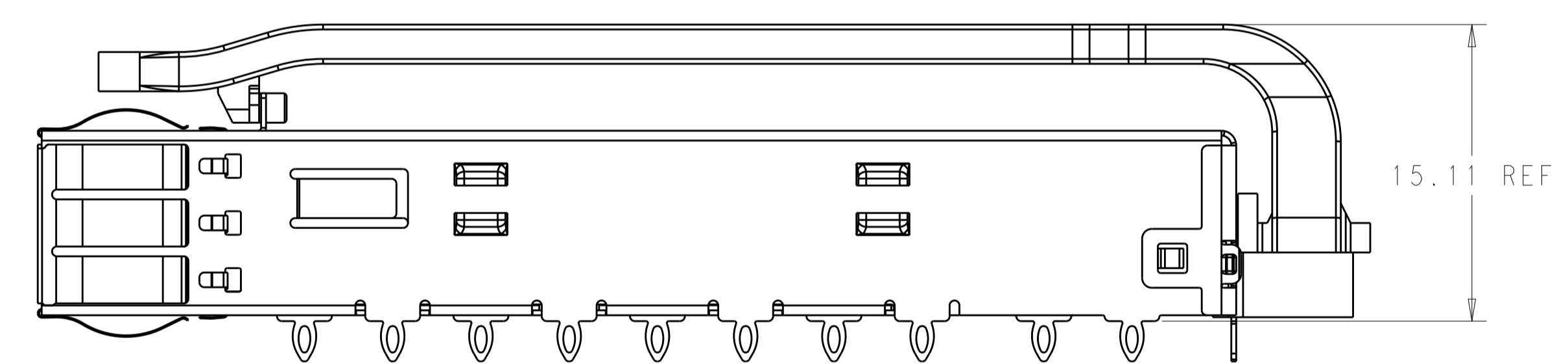
BACK VIEW OF 2170773-1  
SCALE 4:1



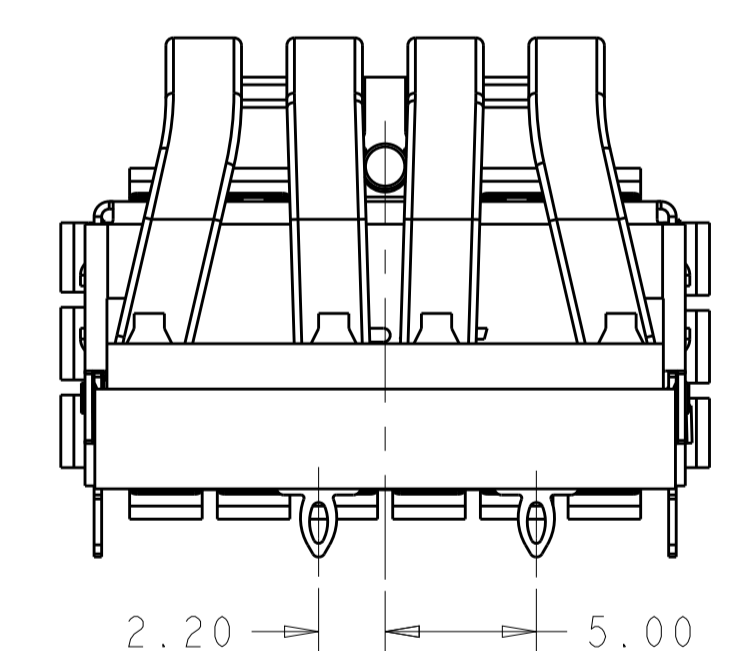
BACK VIEW OF 2170773-2  
SCALE 4:1



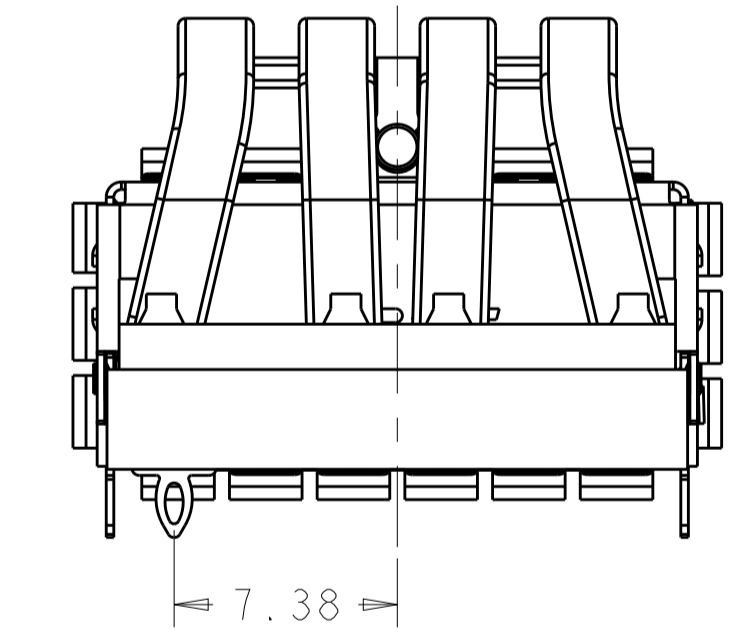
BACK VIEW OF 2170773-3  
SCALE 4:1



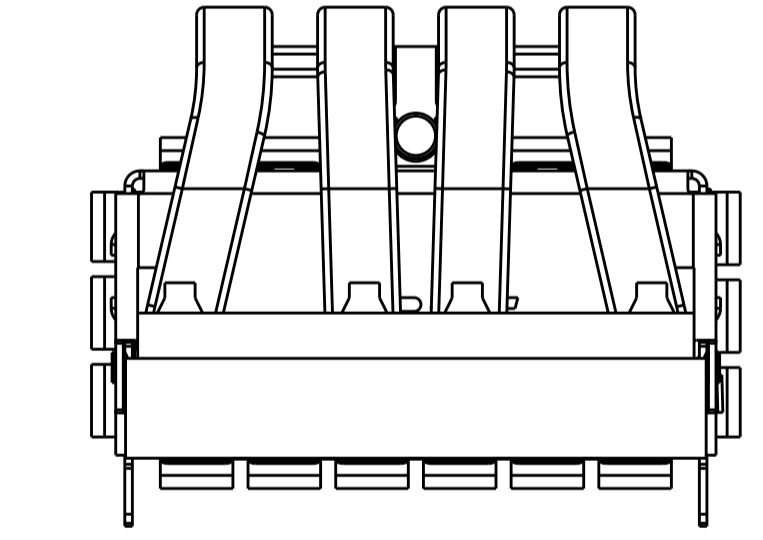
PN: 2170773-4/5/6



BACK VIEW OF 2170773-4  
SCALE 4:1



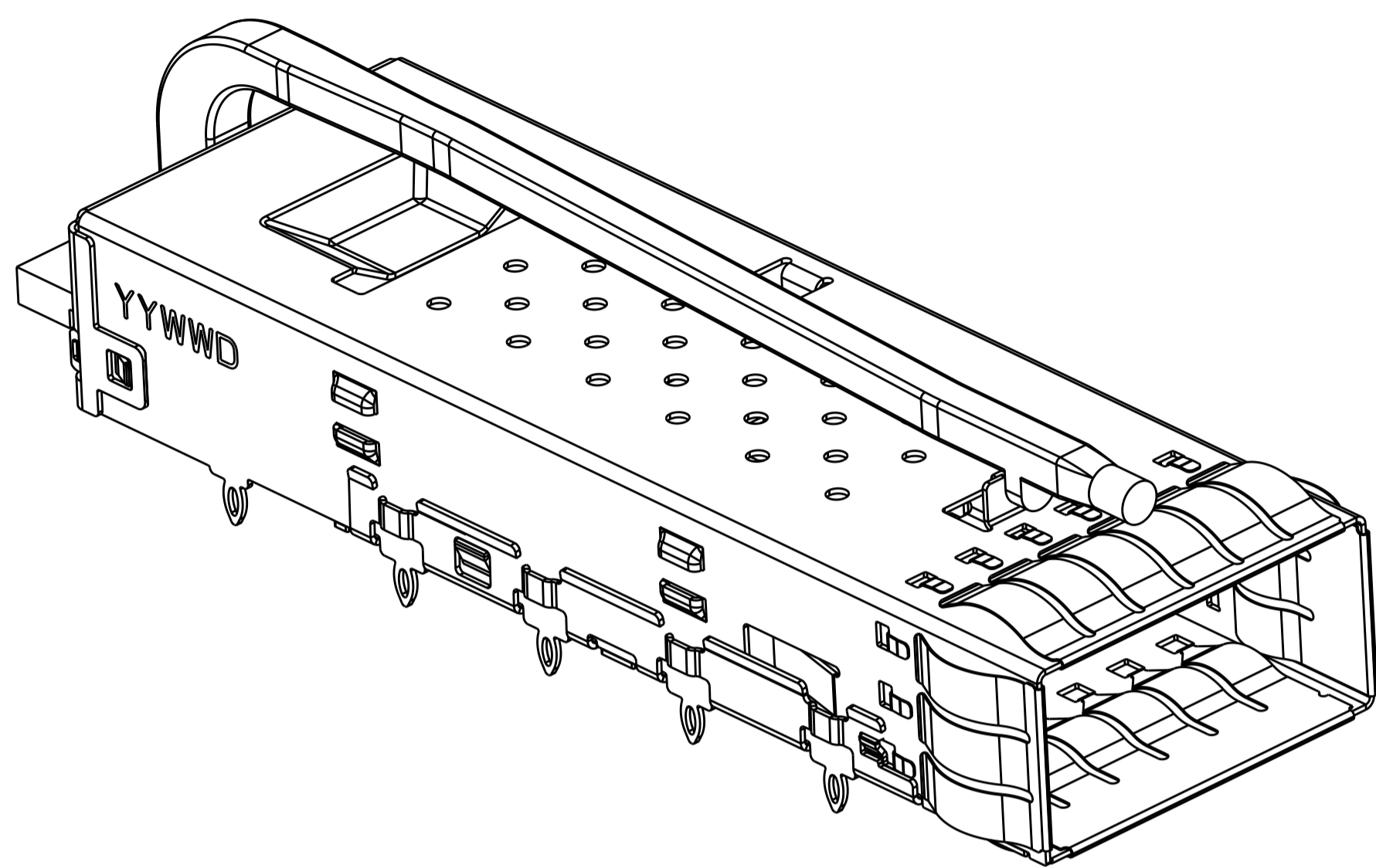
BACK VIEW OF 2170773-5  
SCALE 4:1



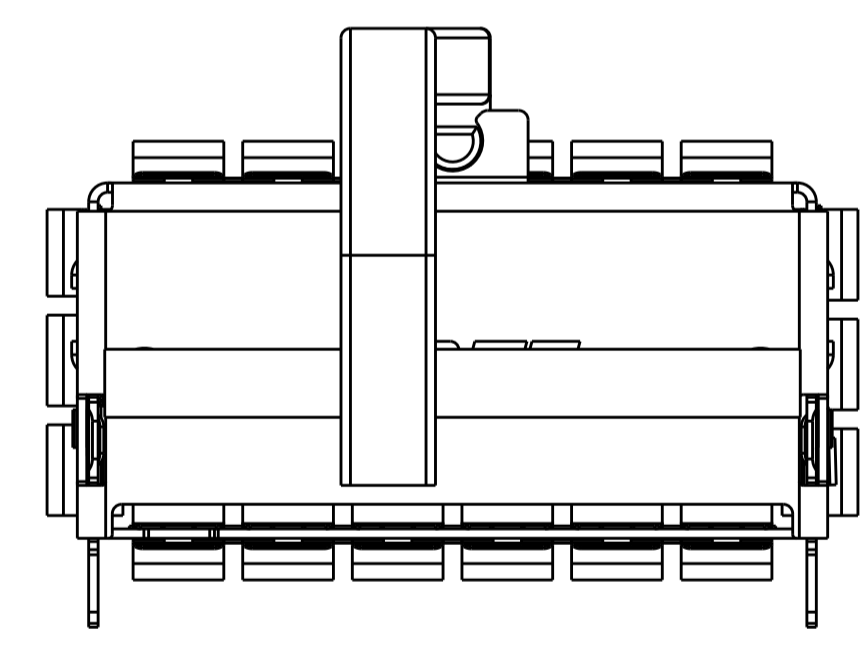
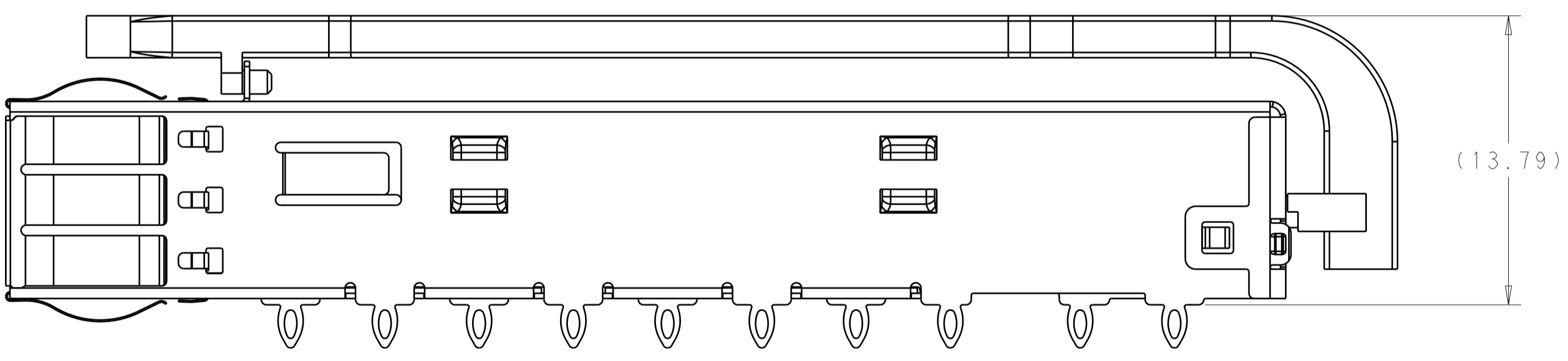
BACK VIEW OF 2170773-6  
SCALE 4:1

THIS DRAWING IS A CONTROLLED DOCUMENT.		DWN: JASON YANG 23SEP2013 CHK: SEAN HAN 23SEP2013 APVD: SEAN HAN 23SEP2013	TE Connectivity
DIMENSIONS: mm	TOLERANCES UNLESS OTHERWISE SPECIFIED: 0 PLC ±0.25 1 PLC ±0.25 2 PLC ±0.25 3 PLC ±0.100 4 PLC ± ANGLES ±°	PRODUCT SPEC: 108-19428 APPLICATION SPEC: 114-32023	
MATERIAL: -	FINISH: -	WEIGHT: -	RESTRICTED TO: - CUSTOMER DRAWING SCALE: 2:1 SHEET 2 OF 7 REV A

REVISIONS				
P.	LTN	DESCRIPTION	DATE	OWN APVD
-	-	SEE SHEET 1	-	-



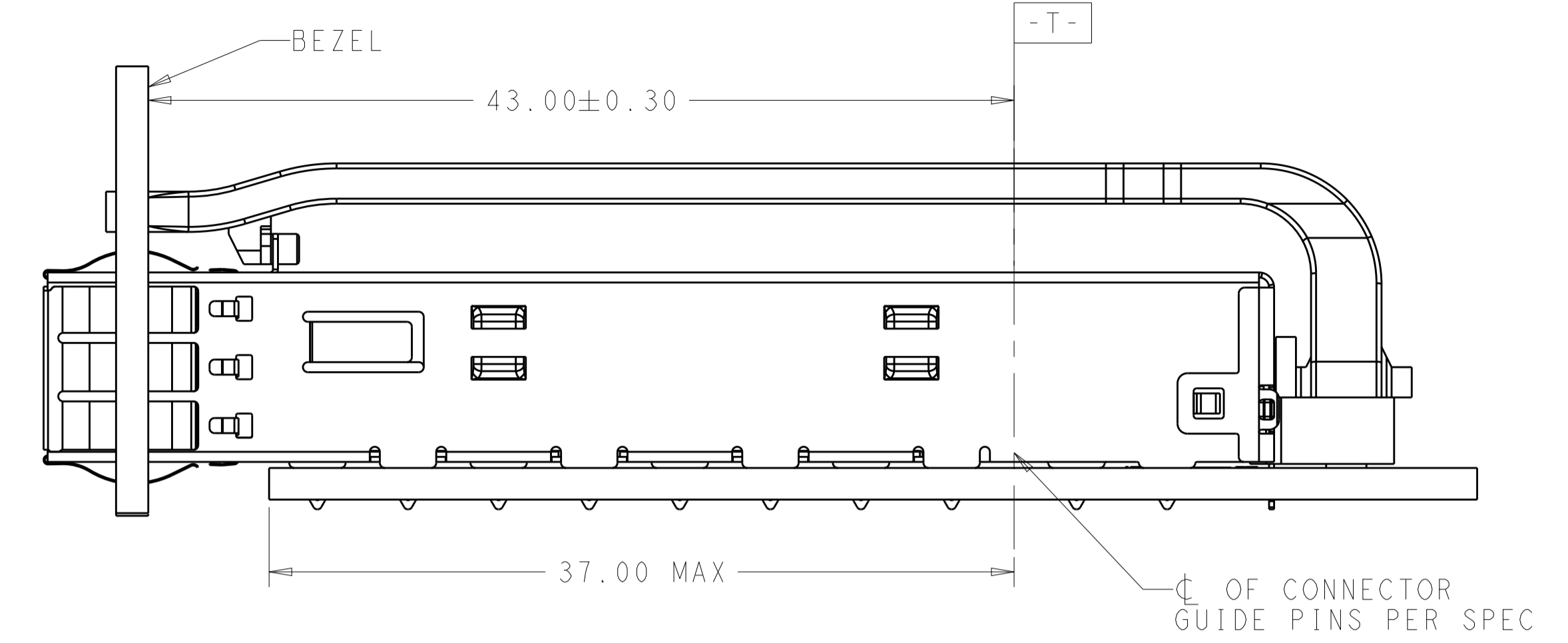
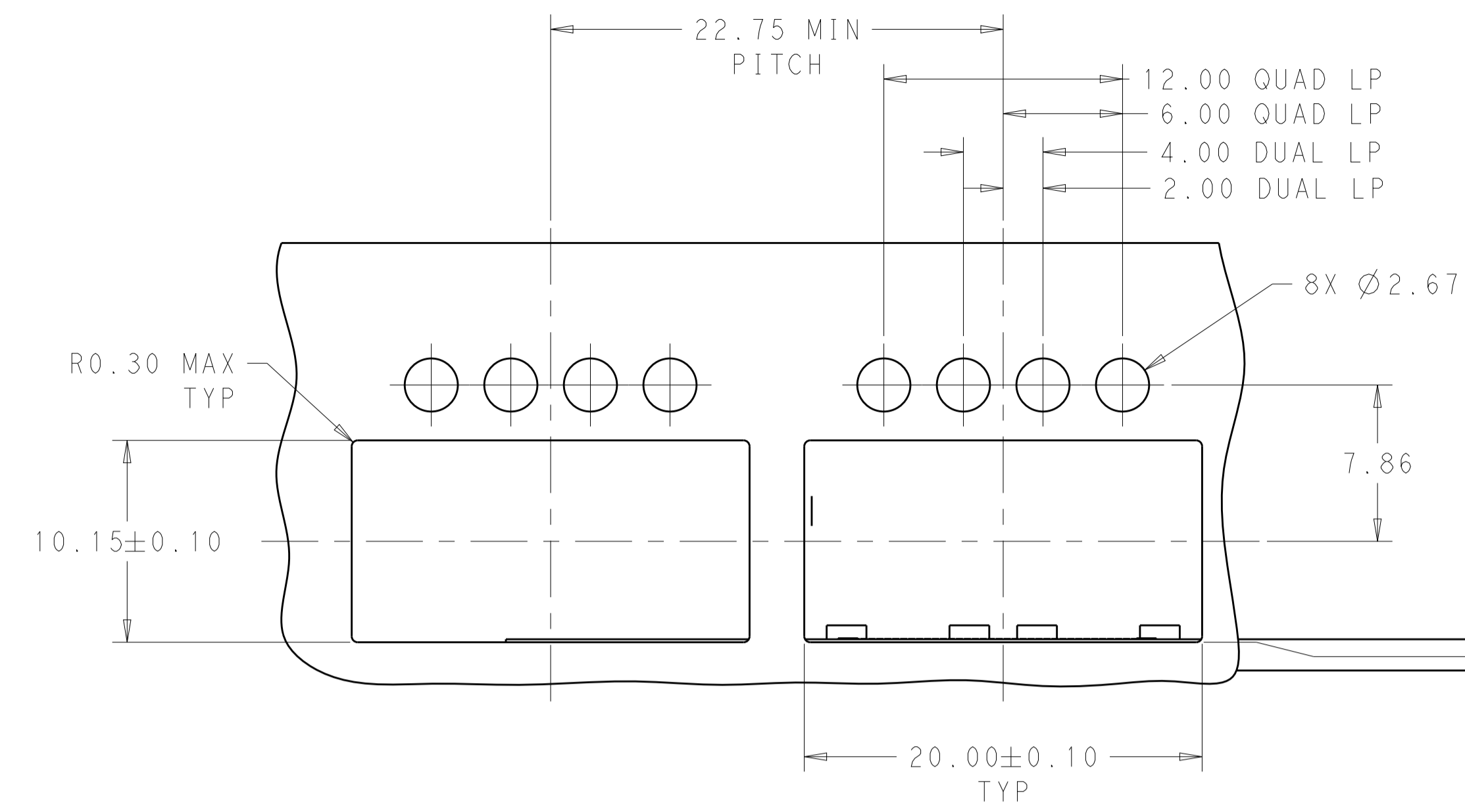
2170773-7 AS SHOWN  
SCALE 4:1



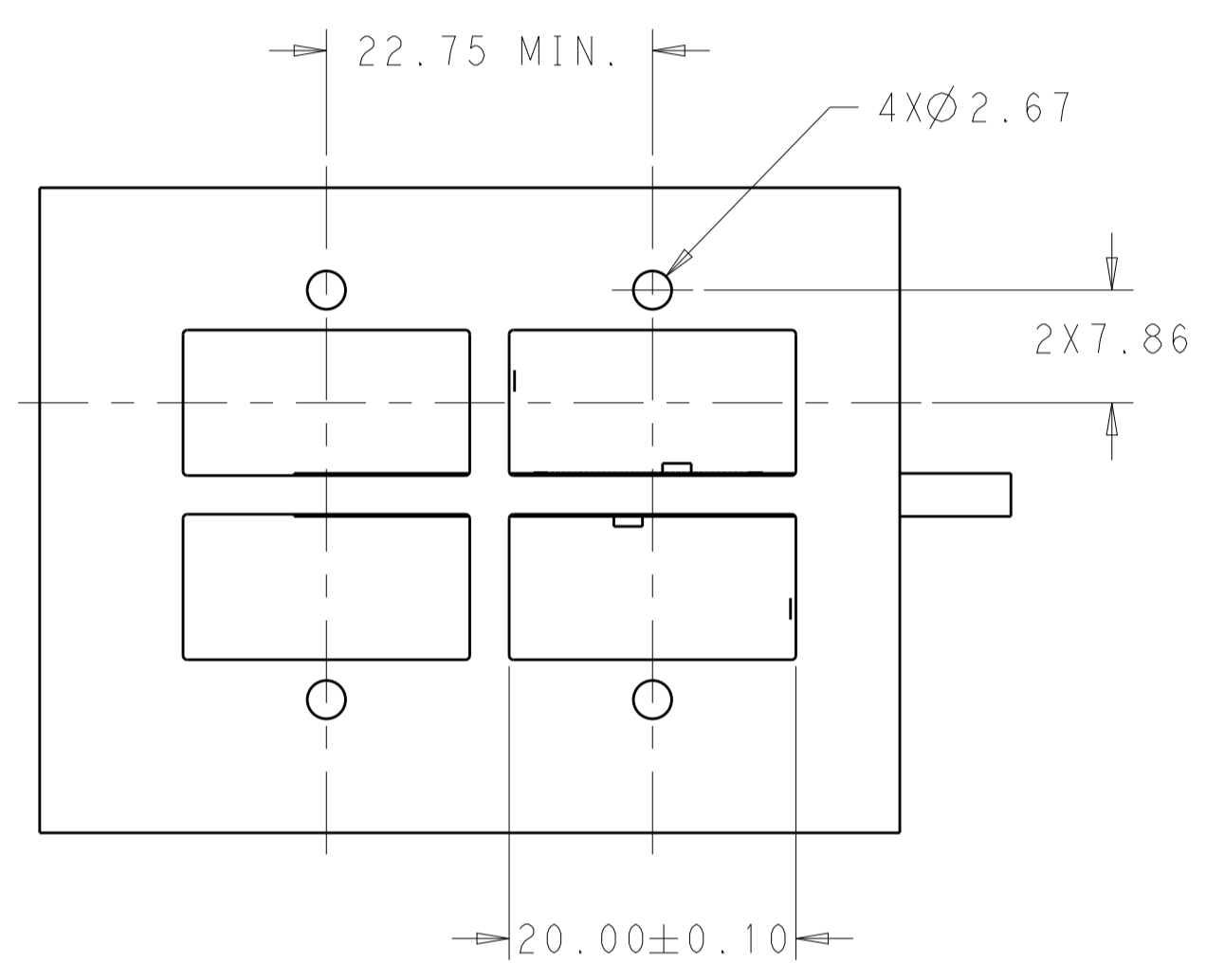
2170773-7 BACK VIEW  
SCALE 5:1

THIS DRAWING IS A CONTROLLED DOCUMENT.		OWN JASON YANG 23SEP2013	TE Connectivity
DIMENSIONS:		CHK SEAN HAN 23SEP2013	
TOLERANCES UNLESS OTHERWISE SPECIFIED:		APVD 23SEP2013	
mm	0 PLC ±0.25	PRODUCT SPEC	NAME CAGE ASSEMBLY, OSFP28, THRU BEZEL WITH EMI SPRING FINGER LIGHT PIPE
	1 PLC ±0.25	108-19428	
	2 PLC ±0.20	APPLICATION SPEC	RESTRICTED TO
	3 PLC ±0.100	114-32023	SIZE CAGE CODE DRAWING NO
	4 PLC ±	WEIGHT	A100779C=2170773
	ANGLES ±°	CUSTOMER DRAWING	SCALE 2:1 SHEET 3 OF 7 REV A
MATERIAL	FINISH		

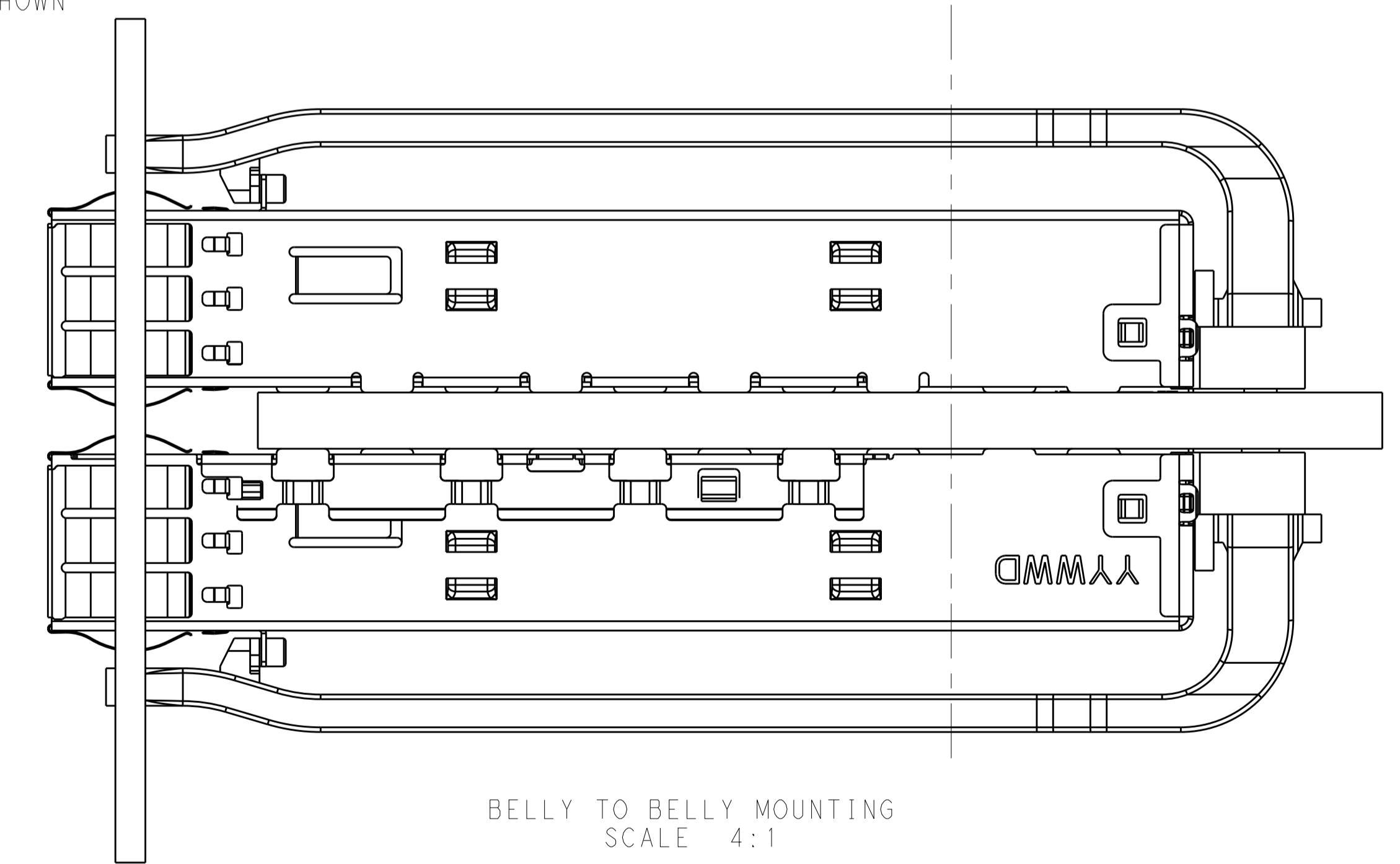
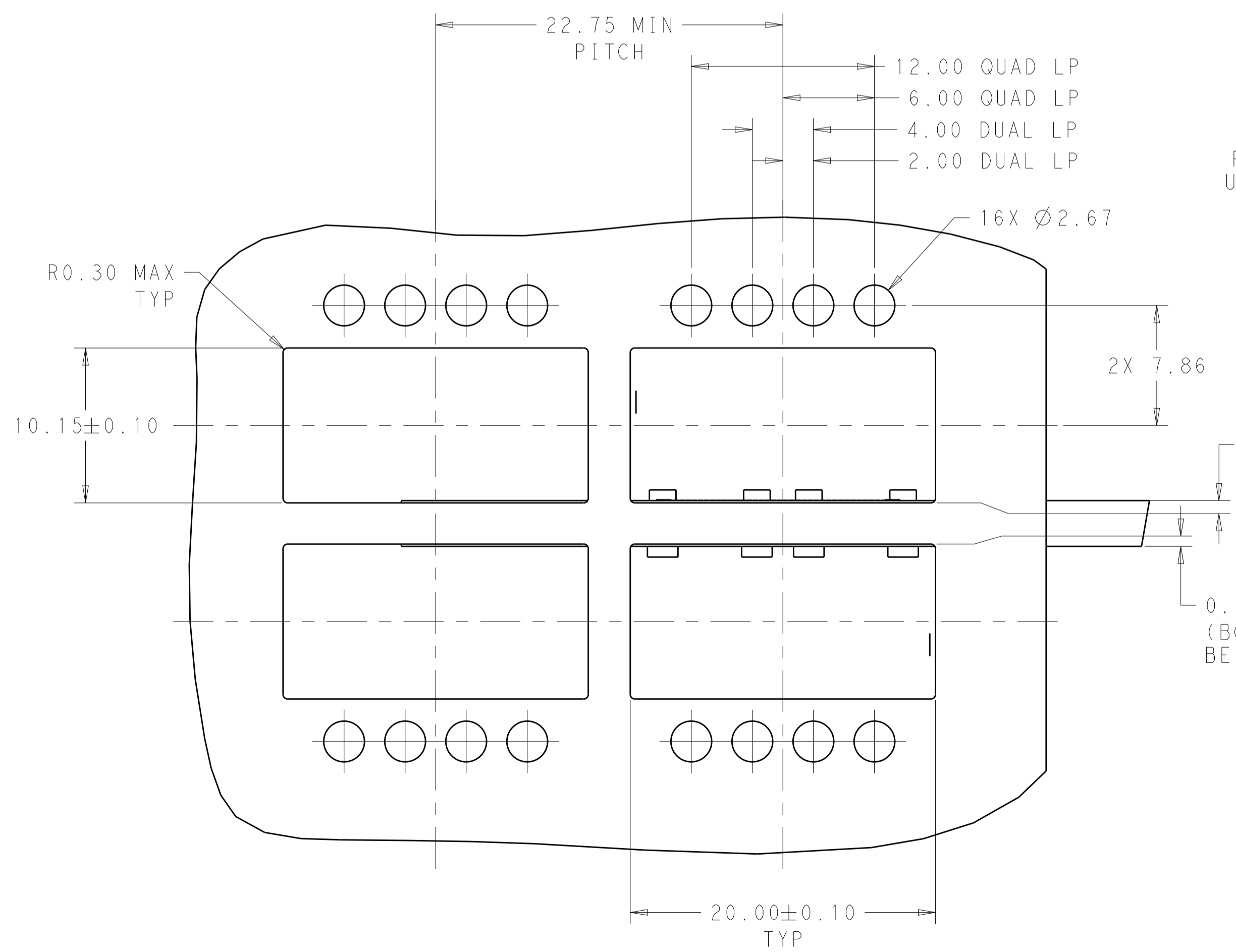
REVISIONS				
P.	LTN.	DESCRIPTION	DATE	APPD.
-	-	SEE SHEET 1	-	-



SINGLE SIDE MOUNTING  
SCALE 4:1



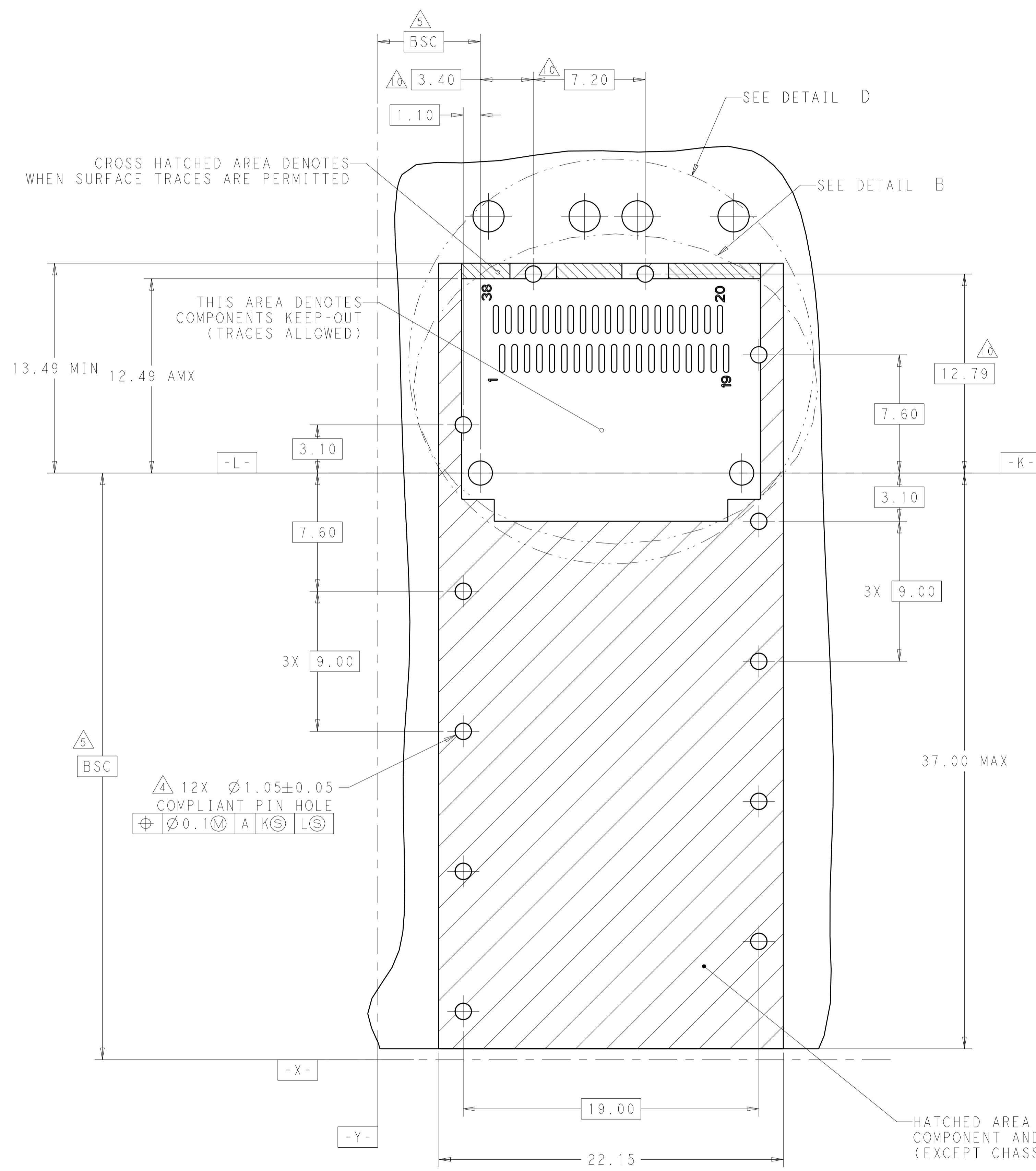
FOR SINGLE LP BELLY TO BELLY APPLICATION  
UNDIMENSIONED SPEC SAME TO DUAL LP SHOWN  
SCALE 2:1



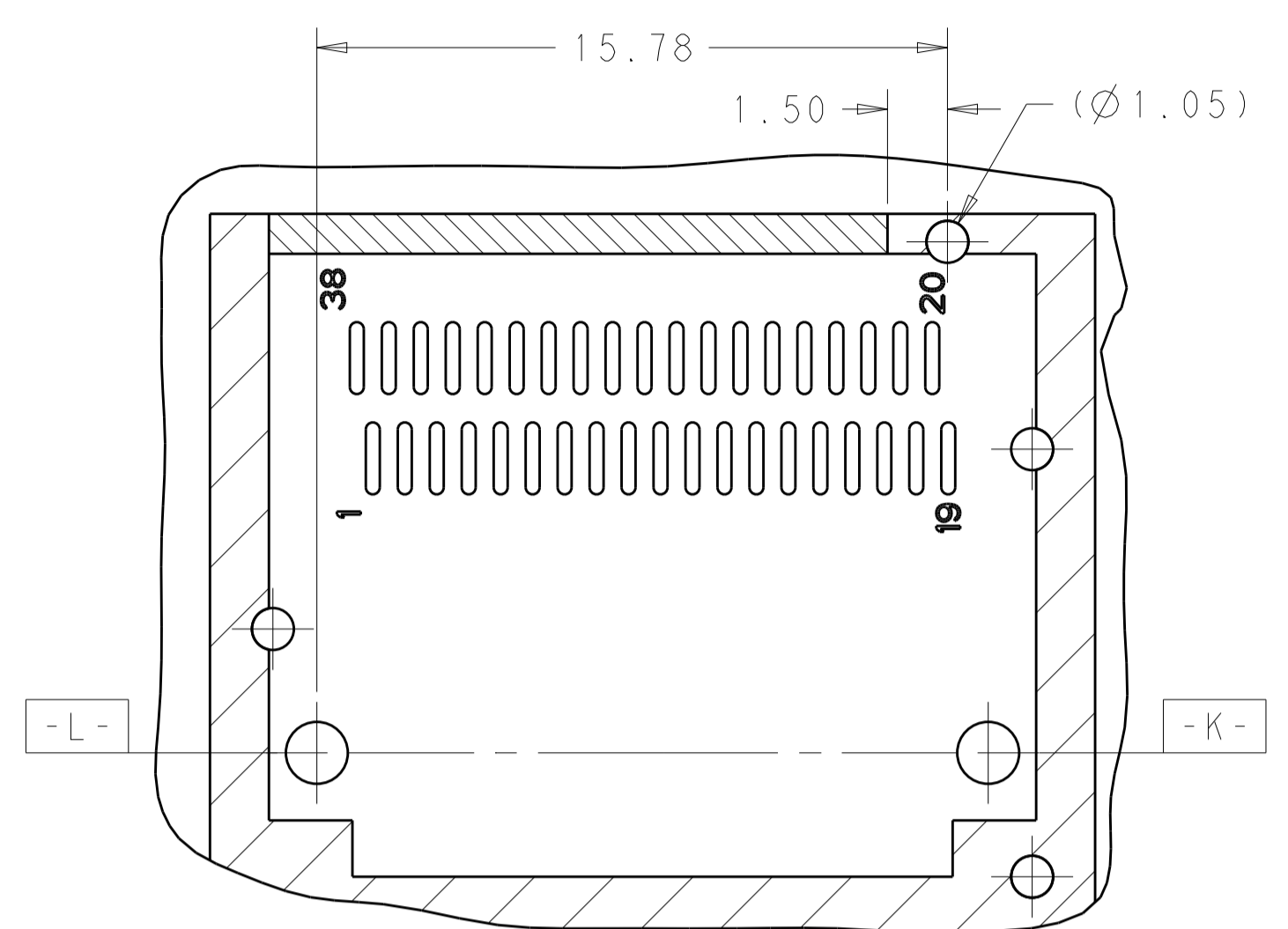
BELLY TO BELLY MOUNTING  
SCALE 4:1

THIS DRAWING IS A CONTROLLED DOCUMENT.		OWN: JASON YANG 23SEP2013	TE Connectivity
DIMENSIONS: mm		CHK: SEAN HAN 23SEP2013	
TOLERANCES UNLESS OTHERWISE SPECIFIED:		APPD: SEAN HAN 23SEP2013	NAME: CAGE ASSEMBLY, OSFP28, THRU BEZEL WITH EMI SPRING FINGER LIGHT PIPE
0 PLC ±0.25	1 PLC ±0.25	2 PLC ±0.25	3 PLC ±0.25
4 PLC ±0.100	ANGLES ±°	FINISH ±	RESTRICTED TO
MATERIAL		WEIGHT	SIZE: CAGE CODE DRAWING NO. A100779C=2170773
		CUSTOMER DRAWING	SCALE 2:1 SHEET 4 OF 7 REV A

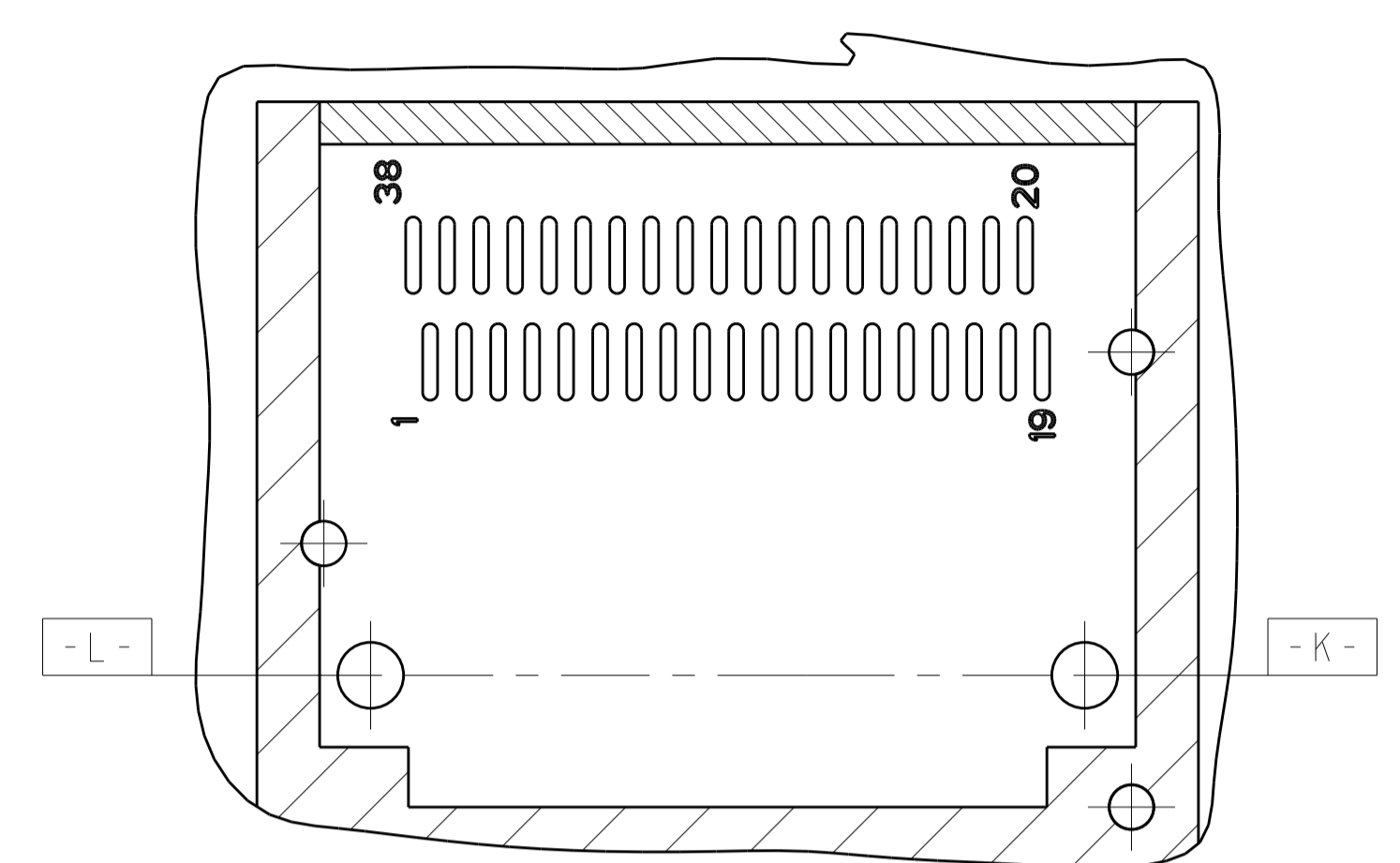
REVISIONS				
P.	LTN.	DESCRIPTION	DATE	APVD.
-	-	SEE SHEET 1	-	-



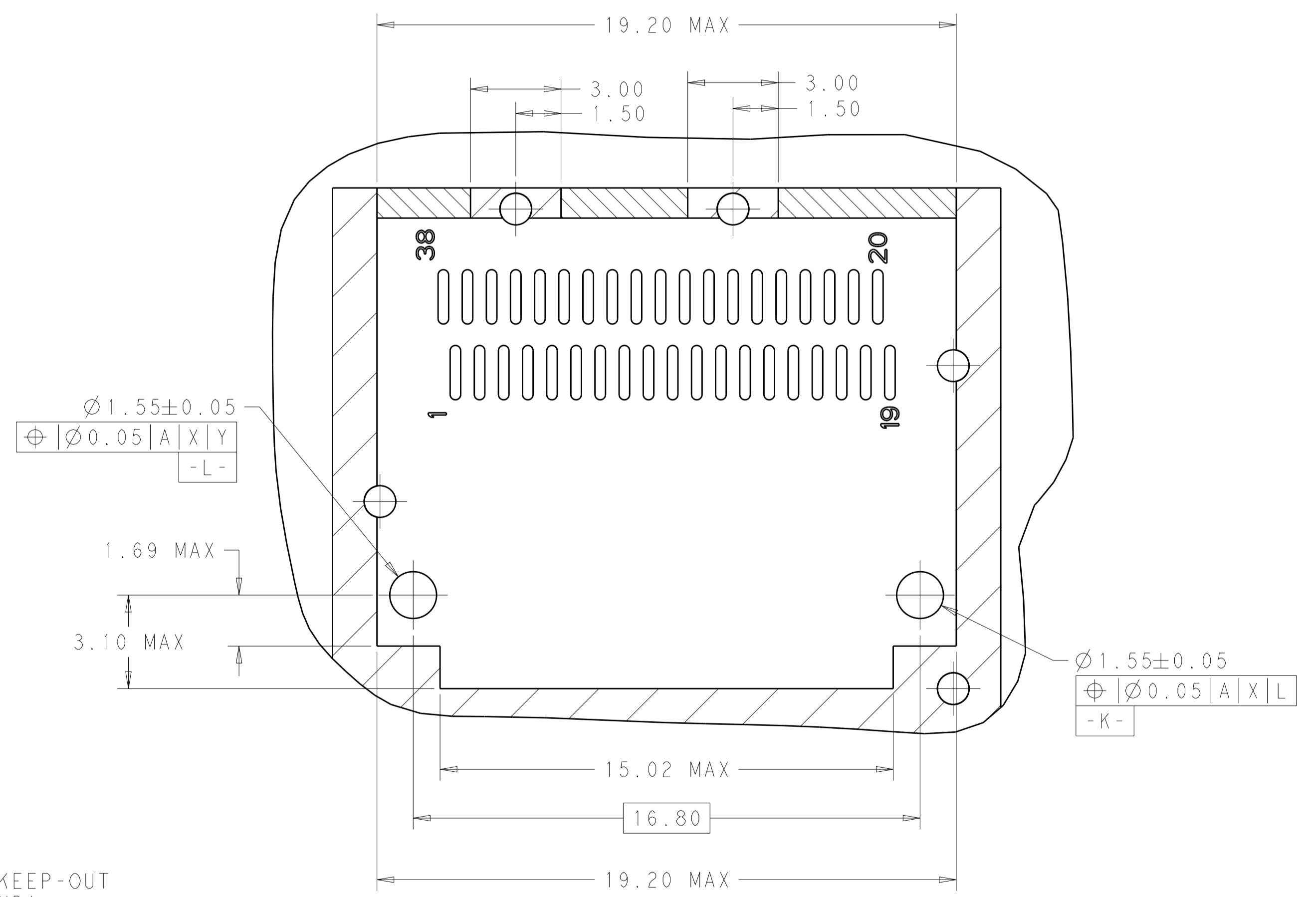
RECOMMENDED PCB LAYOUT  
 SINGLE TYPE OF 2 REAR HOLES OF LEGS  
 PCB TOLERANCE: ±0.05  
 SCALE 6:1



RECOMMENDED PCB LAYOUT  
 SINGLE TYPE OF 1 REAR HOLES OF LEGS  
 PCB TOLERANCE: ±0.05  
 SCALE 6:1



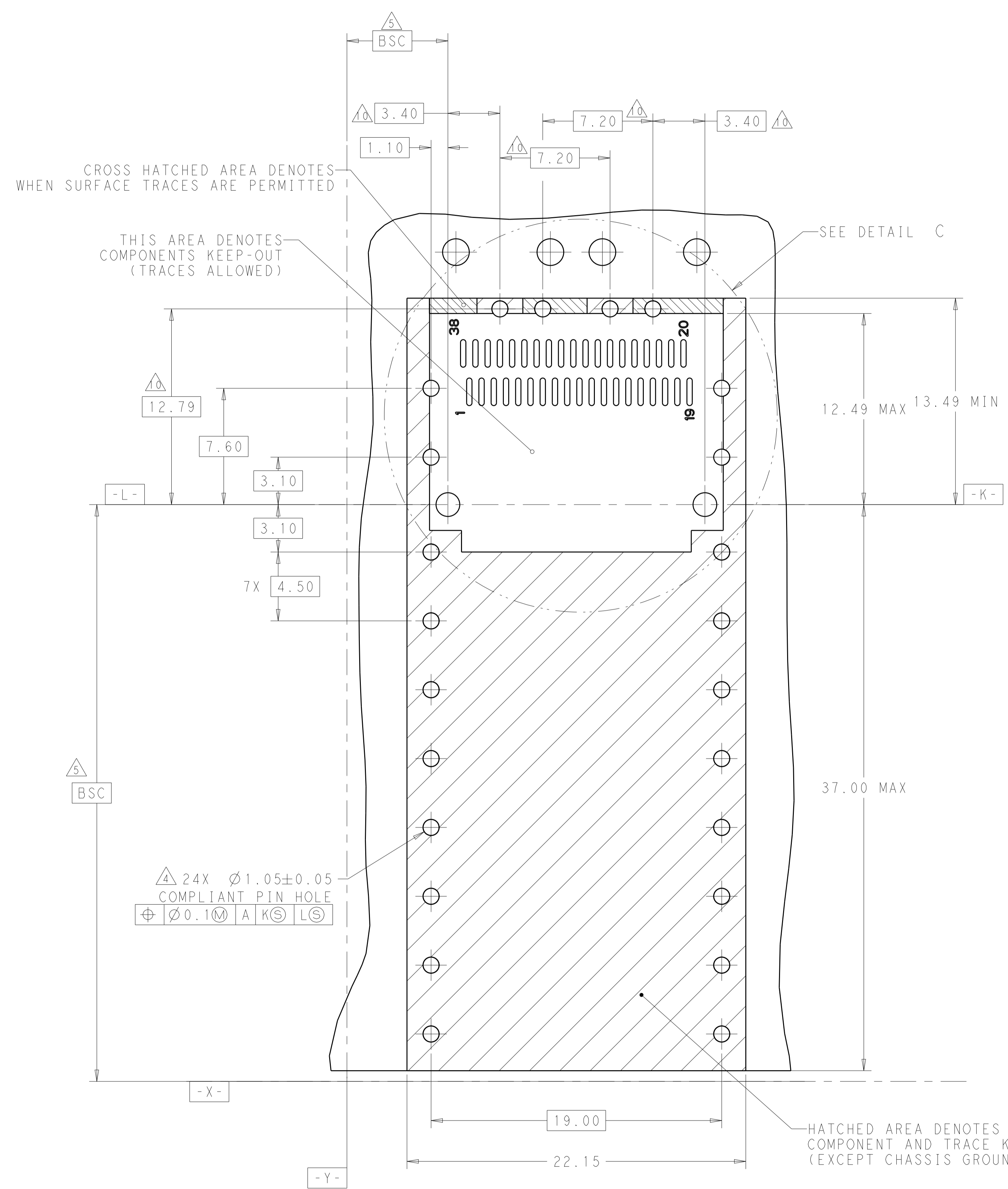
RECOMMENDED PCB LAYOUT  
 SINGLE TYPE OF 0 REAR HOLES OF LEGS  
 PCB TOLERANCE: ±0.05  
 SCALE 6:1



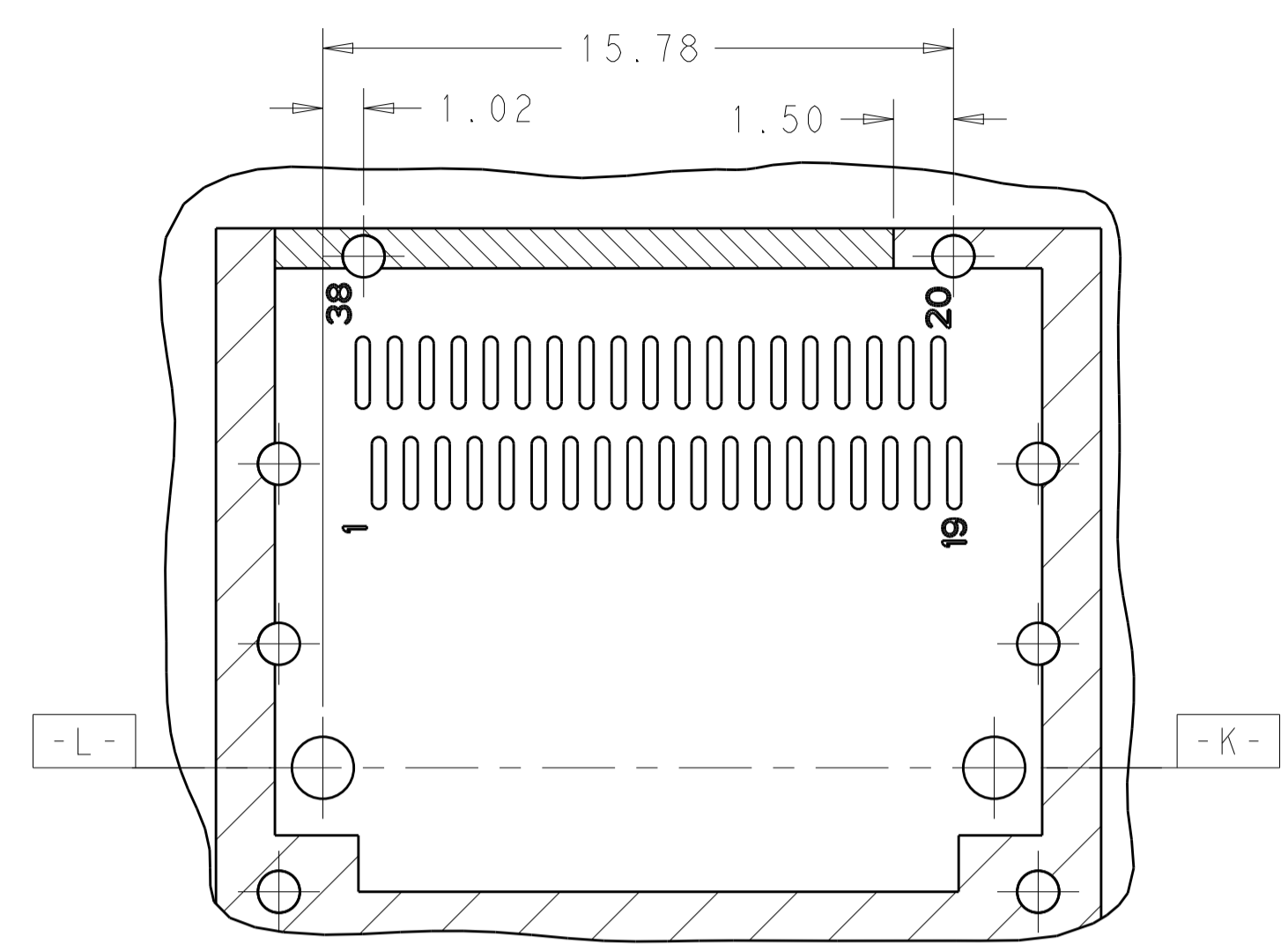
DETAIL B  
 SCALE 8:1

THIS DRAWING IS A CONTROLLED DOCUMENT.		DWN: JASON YANG 23SEP2013	TE Connectivity
DIMENSIONS:		CHK: SEAN HAN 23SEP2013	
TOLERANCES UNLESS OTHERWISE SPECIFIED:		APVD: SEAN HAN 23SEP2013	
mm	0 PLC ±0.25	PRODUCT SPEC 108-19428	NAME: CAGE ASSEMBLY, QSPF28, THRU BEZEL WITH EMI SPRING FINGER LIGHT PIPE SIZE: A100779 CAGE CODE: C=2170773
Ø	1 PLC ±0.25	APPLICATION SPEC 114-32023	
	2 PLC ±0.20	WEIGHT	RESTRICTED TO
	3 PLC ±0.100	CUSTOMER DRAWING	SCALE 2:1 SHEET 5 OF 7 REV A
	4 PLC ±		
	ANGLES		
	FINISH		

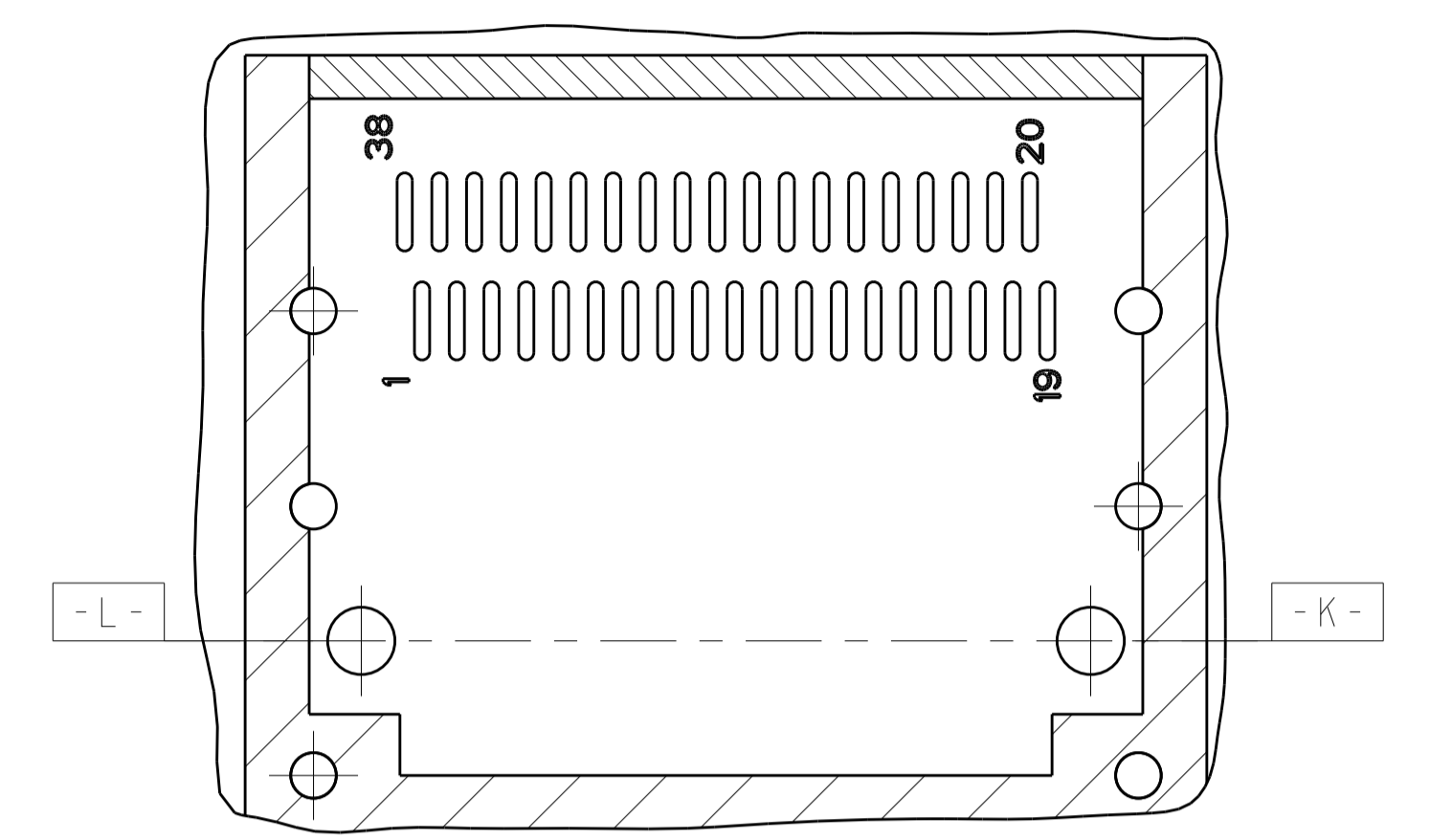
REVISIONS				
P.	LTN.	DESCRIPTION	DATE	APVD.
-	-	SEE SHEET 1	-	-



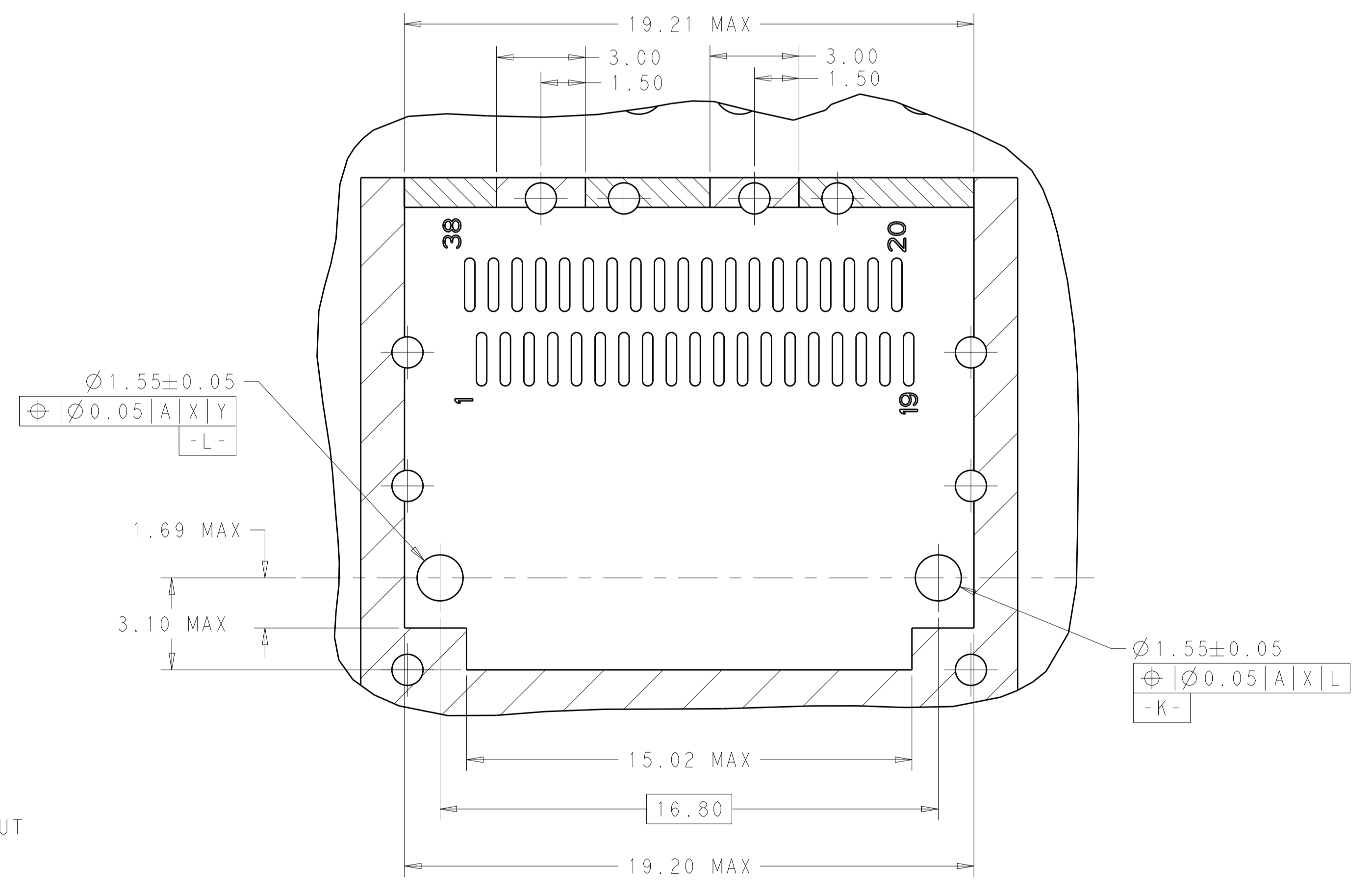
RECOMMENDED PCB LAYOUT  
BELLY TO BELLY TYPE OF 2 REAR HOLES OF LEGS  
PCB TOLERANCE: ±0.05  
SCALE 6:1



RECOMMENDED PCB LAYOUT  
BELLY TO BELLY TYPE OF 1 REAR HOLES OF LEGS  
PCB TOLERANCE: ±0.05  
SCALE 6:1



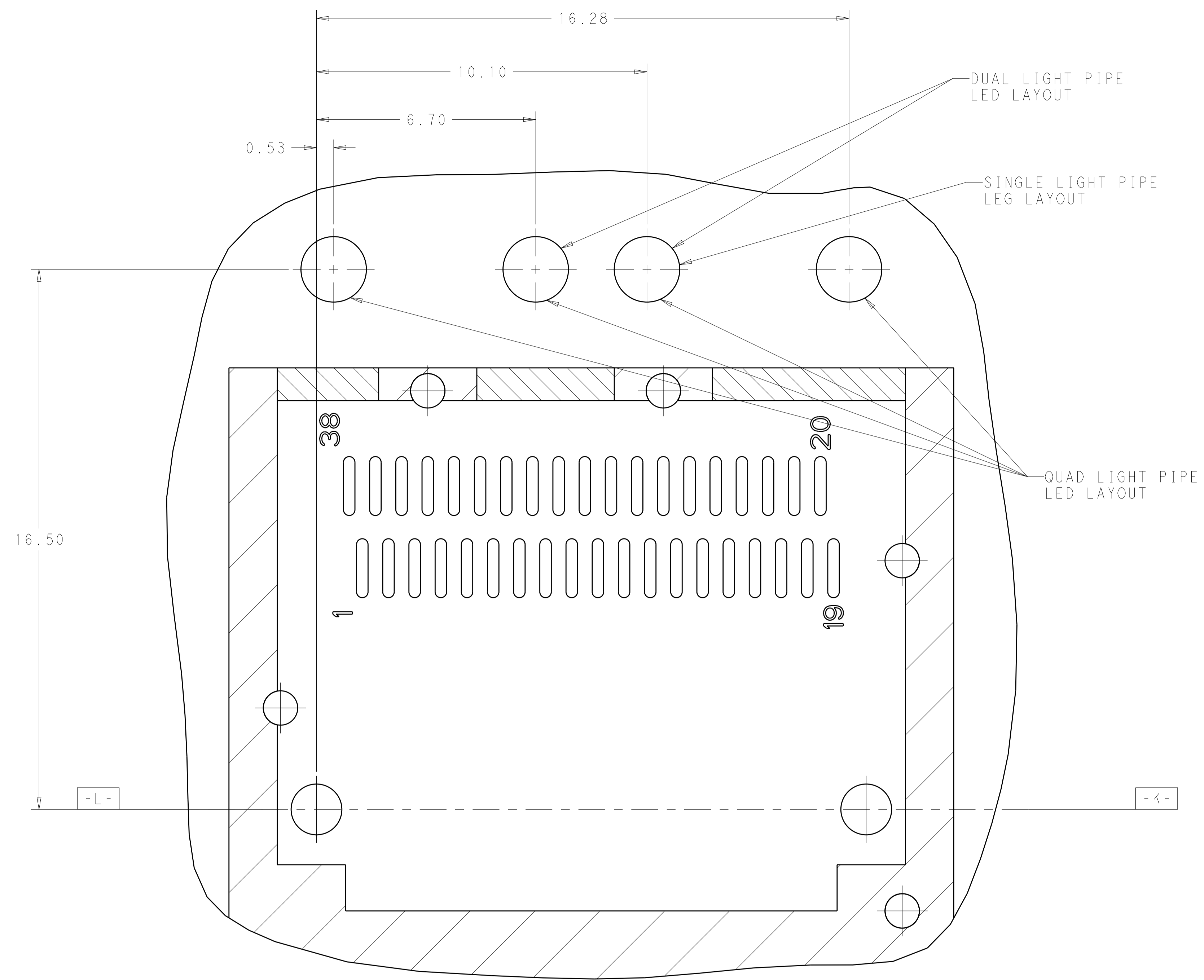
RECOMMENDED PCB LAYOUT  
BELLY TO BELLY TYPE OF 0 REAR HOLES OF LEGS  
PCB TOLERANCE: ±0.05  
SCALE 6:1



DETAIL C  
SCALE 8:1

THIS DRAWING IS A CONTROLLED DOCUMENT.		DWN: JASON YANG 23SEP2013 CHG: SEAN HAN 23SEP2013 APVD: 23SEP2013	TE Connectivity
DIMENSIONS: mm 	TOLERANCES UNLESS OTHERWISE SPECIFIED: 0 PLC ±0.25 1 PLC ±0.25 2 PLC ±0.25 3 PLC ±0.25 4 PLC ±0.100 ANGLES ±°	NAME: CAGE ASSEMBLY, QSPF28, THRU BEZEL WITH EMI SPRING FINGER LIGHT PIPE PRODUCT SPEC: 108-19428 APPLICATION SPEC: 114-32023 WEIGHT: - CUSTOMER DRAWING	

REVISIONS				
P.	LTN	DESCRIPTION	DATE	APVD
-	-	SEE SHEET 1	-	-



DETAIL D  
 SCALE 12:1

THIS DRAWING IS A CONTROLLED DOCUMENT.		DWN: JASON YANG 23SEP2013	TE Connectivity
DIMENSIONS: mm		CHK: SEAN HAN 23SEP2013	
TOLERANCES UNLESS OTHERWISE SPECIFIED: 0 PLC ±0.25 1 PLC ±0.25 2 PLC ±0.25 3 PLC ±0.100 4 PLC ± ANGLES ±°		APVD: SEAN HAN 23SEP2013	NAME: CAGE ASSEMBLY, QSFP28, THRU BEZEL WITH EMI SPRING FINGER LIGHT PIPE
MATERIAL: -		PRODUCT SPEC: 108-19428	SIZE: A100779
FINISH: -		APPLICATION SPEC: 114-32023	DRAWING NO: C=2170773
CUSTOMER DRAWING		WEIGHT: -	RESTRICTED TO: -
SCALE: 2:1		SHEET: 7 OF 7	REV: A