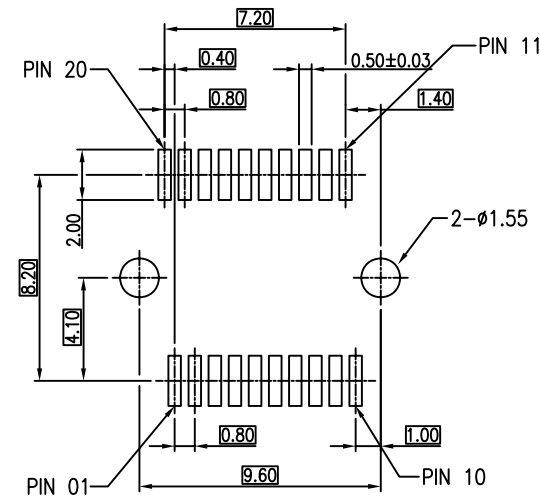
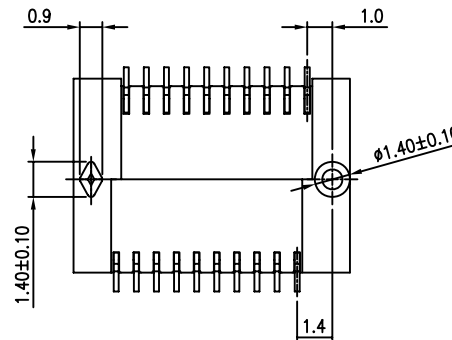
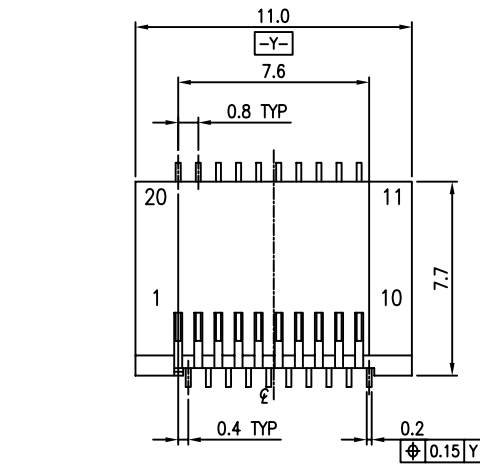
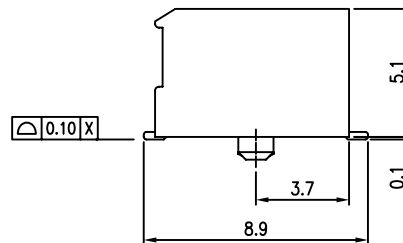
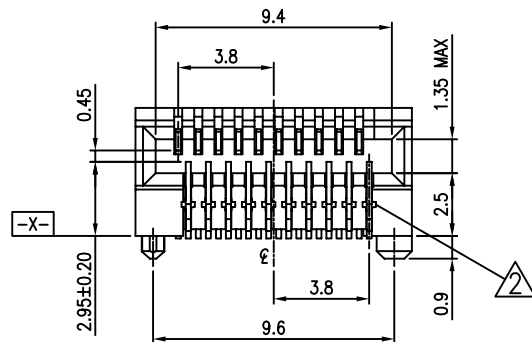


REVISION RECORD		
REV	DESCRIPTION	DRFT
1	NEW RELEASE	Jack 5/09/10'
2	ENGINEER CHANGE	Jack 1/11/12'



RECOMMENDED PCB LAYOUT

Tolerance:±0.05



Material:

1. Insulator: Glass-Reinforced Thermoplastic, UL 94V-0, Color: Black.

2. Contact: Copper Alloy.

Contact Plating: Gold Plating on Contact Area.
Over Nickel underplating overall.

3. ROHS Compliant

4. Durability: 250 cycles min.

Electrical:

1. Voltage Rating: 100VAC.

2. Current Rating: 1A.

3. Contact Resistance: 40 milliohms Max.

4. Dielectric Withstanding Voltage: 500VAC Min.

5. Insulation Resistance: 1000 Megaohms Min.

Environmental:

1. Temperature Range: -40°C to +85°C.

PART NO.:	PART NUMBER	REV	GOLD PLATING
	E81M0-002-01-LT	A	15u''
	E81M0-002-02-LT	A	30u''

MM (INCH)		RoHS Compliant		Pulse Electronics	
TOLERANCES EXCEPT AS NOTED					
MM					
.0 ± 0.25		±			
.00 ± 0.20		±			
.000 ± 0.10		±			
ANGLES ± 0.5°					
THIRD ANGLE PROJECTION		TITLE		SFP CONNECTOR	
DFTO : PETER		DRAWING NO. CE81M0-002-XX-LT		SIZE	REV
DATE : 07/07/2008		/PART NO. CE81M0-002-XX-LT		A3	2
SCALE : 5:1		DO NOT SCALE DRAWING		SHEET	OF
				1	1

8

7

6

5

4

3

2

1