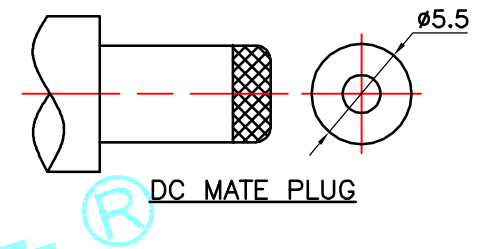
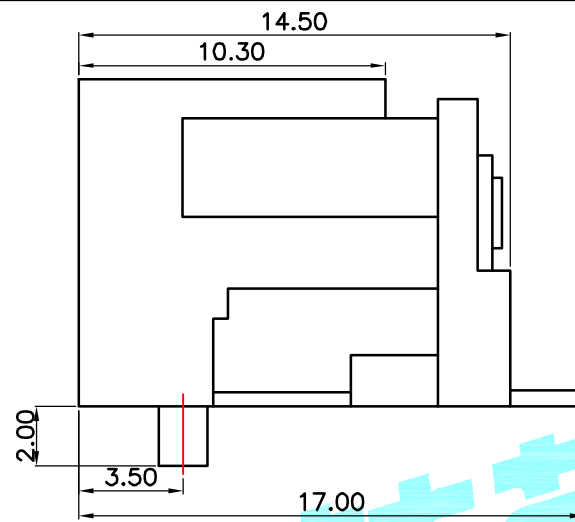
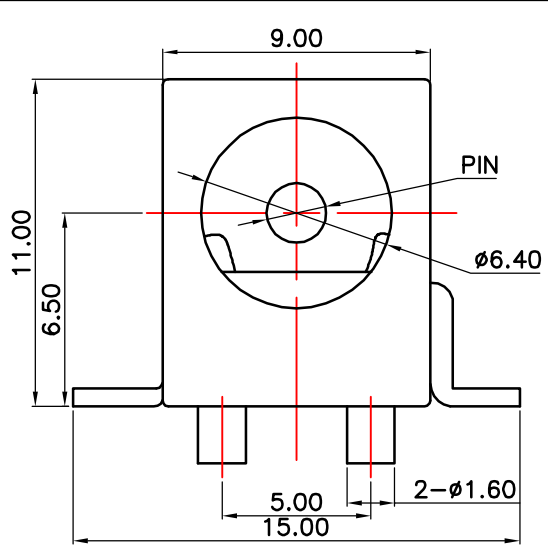
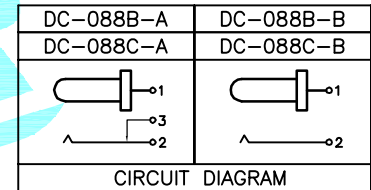
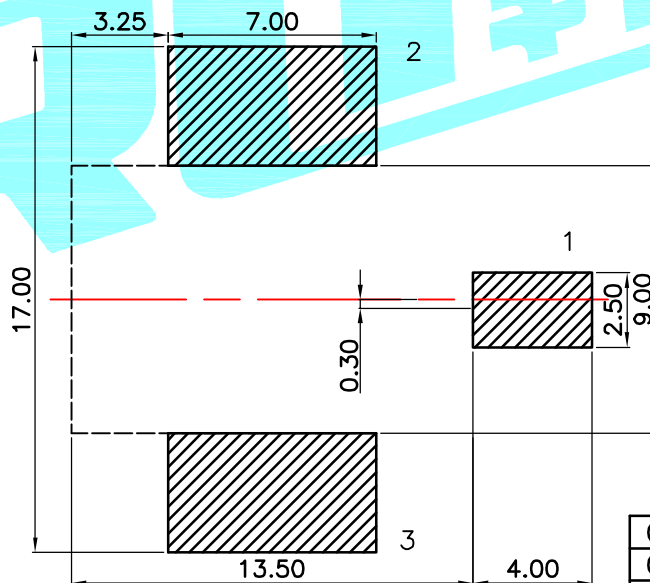
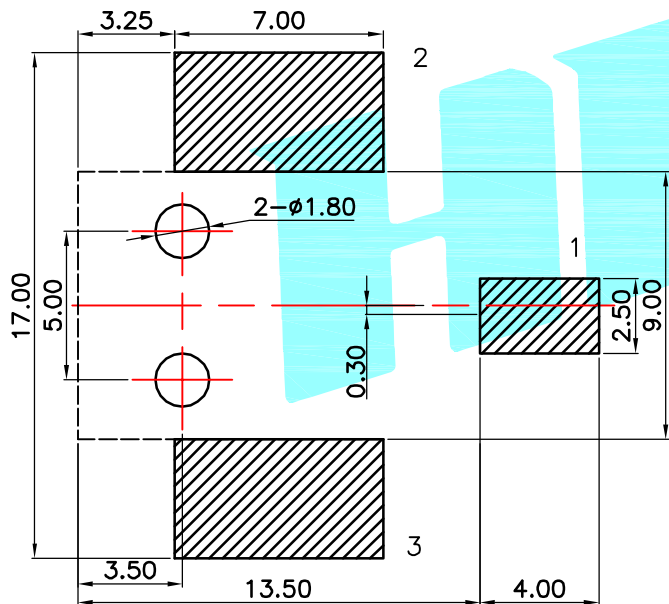


**ROHS**



P.C.B LAYOUT(Copper-side view)



Model No.	1	2
PIN	ø2.0	ø2.5

Rating:0.5A 30V DC  
 Contact Resistance:100 mΩ Max.  
 Operating temperature:-20℃~70℃  
 Operating force:3~20N  
 Operating Life:5,000cycles

②	Terminal	3	Phosphor bronze	Au Plating				
①	Housing	1	Nylon	Black				
ITEM	PART NAME	TER'NO.	QTY.	MATERIAL	FINISHING	REMARK		
APPROVALS			DATE	 ELECTRONICS CO.,LTD				
DRAWN	J.X.Zhang	2013/11/11	TITLE: PHONE JACKES					
CHECKED			PART NO. DC-088B					
APPROVALS								
TOLERANCES ARE		30~以下 ±0.30	10~30 ±0.20	ANGLE	UNIT: mm	SCALE: 1:1		
		5~10 ±0.15	~ 5 ±0.10	±2'	DRAWING NO.	SHEET 1 OF 1		

ECN NO.	REV.	DATE.	DESCRIPTION.	CHANGE.	CHECK.	APPRO.
	A		NEW			