

# SYS-8W6608-4F01

4th Gen Intel® Core™ i7/i5/i3  
Wallmount PICMG1.0 System  
with 7 Expansion Slots



## Features

- Intel® H81 Platform
  - 4th Gen Intel® Core™ i7/i5/i3 processor (LGA1150)
  - Dual Channel (Non-ECC) DDR3 1333/1600 up to 16 GB
  - Supports USB 3.0, SATA3.0
- Expansion Capability
  - 1 ISA, 6 PCI
  - Two 5.25" ODD and One 3.5" Shock-resistant Drive Bay
- Thoughtful and Management Design
  - Intelligent remote manageability
  - Two front access USB ports
  - Bidirectional to mount chassis on wall or workbench
  - Easy maintain system fan and filter
  - 300W 80 plus power supply



**SUSIAccess**  
Remote Device Management

CE FCC

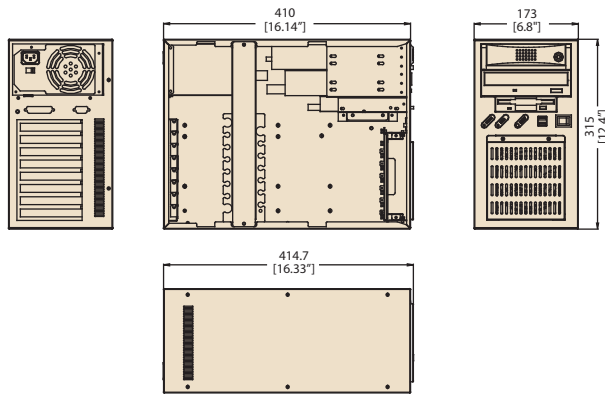


## Specifications

Processor System	CPU	i7-4770S	i7-4770TE	i5-4570S	i5-4570TE	i3-4330	i3-4330TE	G3420	G3320TE	
	Base Frequency	3.1GHz	2.3GHz	2.9GHz	2.7GHz	3.5GHz	2.4GHz	3.2GHz	2.3GHz	
	L3 Cache	8MB	8M	6MB	4MB	4MB	3MB	3MB	3MB	
	SKU/Chipset	Intel H81								
	BIOS	AMI 128Mbit SPI Flash								
Memory	Technology	Dual channel (Non-ECC) DDR3 1333/1600								
	Max. Cap.	16 GB (8 GB per DIMM)								
	Socket	DDR3 240-pin DIMM x 2								
Graphics	Controller	Chipset integrated Intel HD Graphics								
	CRT	Supports resolution up to 2048 x 1536 pixel at 60Hz								
	DVI-D	Supports resolution up to 1920 x 1200 pixel at 60Hz (G2 only)								
Expansion Slot	PCI	6								
	ISA	1								
Ethernet	Interface	10/100/1000 Mbps								
	Controller	LAN 1: Intel 1217V LAN 2: Intel 1211								
	Connector with LED	RJ45 x 2								
Storage	5.25"	2								
	3.5"	1								
Front I/O Interface	USB	2								
Rear I/O Interface	USB 2.0	1								
	Ethernet	2								
	VGA	1								
	PS/2	1 (PS/2 Y cable supports 1 x keyboard and 1 x mouse)								
Watchdog Timer	Output	System reset								
	Interval	Programmable 1-255 sec								
Power Supply	Output Rating	300W								
	Input Voltage	100 ~ 240 V <sub>AC</sub>								
Cooling	Fan	1 (12 cm / 85 CFM)								
	Air Filter	Yes								
Miscellaneous	LED Indicators	Power and HDD								
	Control	Power switch and reset button								
Environment	Temperature	0 ~ 40° C (32 ~ 104° F), operating								
	Humidity	10 ~ 85% @ 40° C, non-condensing								
Physical Characteristics	Dimensions (W x H x D)	173 x 315 x 410 mm (6.8" x 12.4" x 16.1")								
	Weight	11 kg (24.2 lb)								

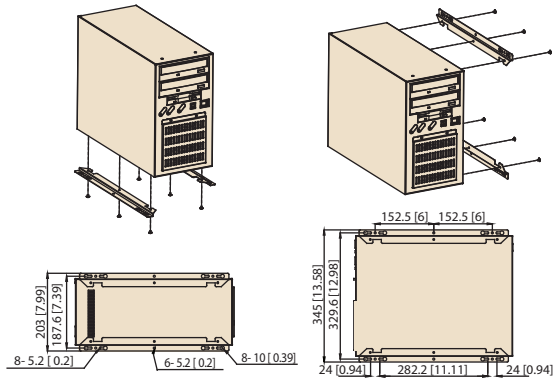
**Dimensions**

Unit: mm [inch]



**Installation**

Unit: mm [inch]



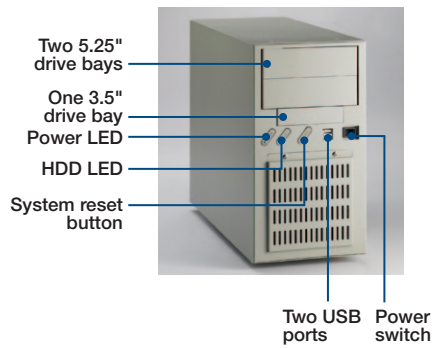
**Ordering Information**

Please visit Advantech eStore for order entry  
<http://buy.advantech.com/>

**System Content**

Item	P/N
Chassis	IPC-6608BP-00E
Motherboard	PCA-6028G2-00A1E
Backplanes	PCA-6108P6-0B4E
Power Supply	PS8-300ATX-ZBE (ATX, PFC)

**Front View**



**Inside View**

