

# Customer Information Sheet

DRAWING No.: M50-315XXXX

SHEET 2 OF 2

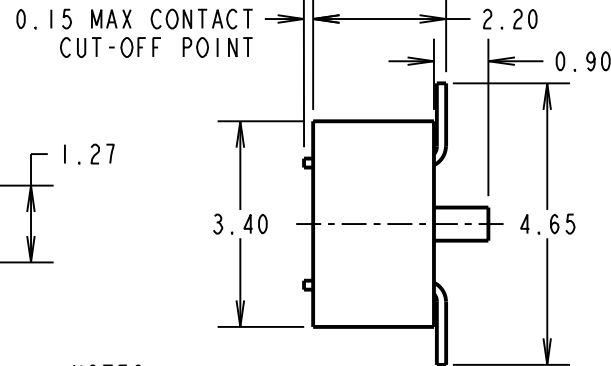
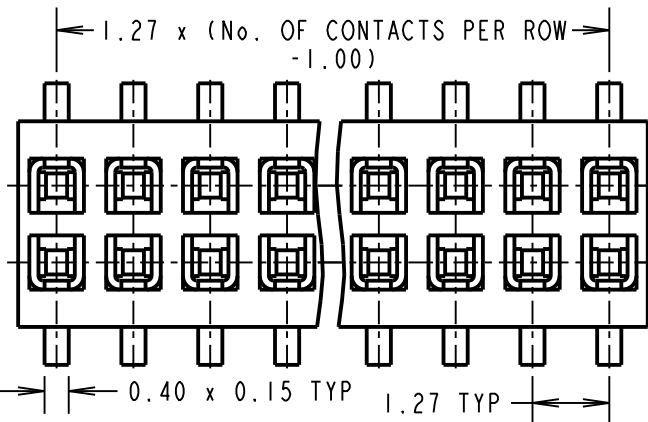
IF IN DOUBT - ASK

©

NOT TO SCALE

THIRD ANGLE PROJECTION

ALL DIMENSIONS IN mm



**SPECIFICATION:**

**MATERIAL:**  
 MOULDING = 30% GLASS FILLED NYLON-6T UL94V-0  
 CONTACTS = PHOSPHOR BRONZE

**FINISH:**  
 42 = GOLD ON CONTACT AREA, 100% TIN OVER NICKEL ON TAILS

**ELECTRICAL:**

CURRENT RATING = 1A  
 CONTACT RESISTANCE = 20mΩ MAX  
 INSULATION RESISTANCE = 1000MΩ MIN @ 250V  
 DIELECTRIC WITHSTANDING = 500V AC (1 MINUTE)

**MECHANICAL:**

CONTACT RETENTION = 2.5N MIN  
 INSERTION FORCE = 2.0N MAX  
 WITHDRAWAL FORCE = 0.3N MIN  
 SOLDERABILITY = 260°C FOR 3 SECONDS  
 DURABILITY = 25 CYCLES

**ENVIRONMENTAL:**

TEMPERATURE RANGE = -40°C TO +105°C

**PACKING:**

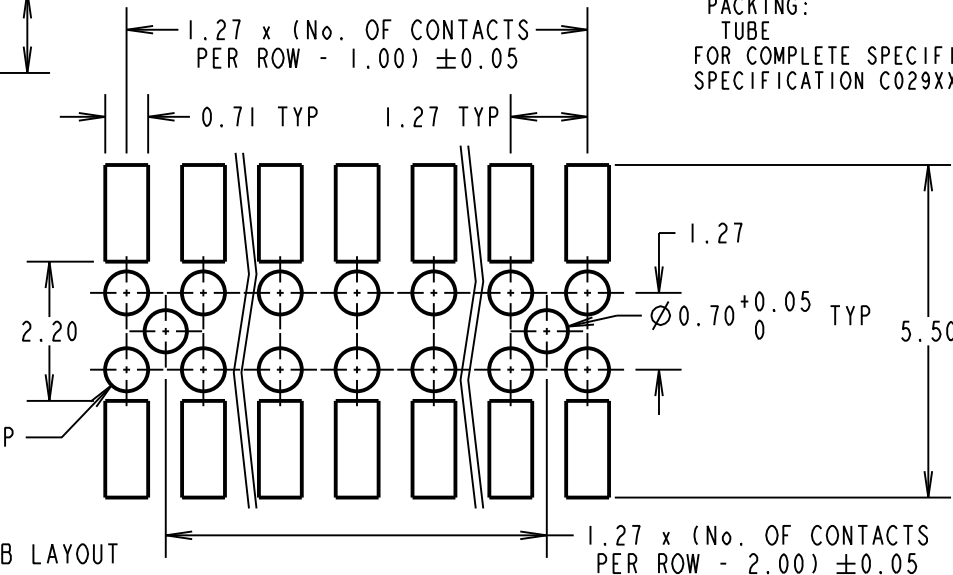
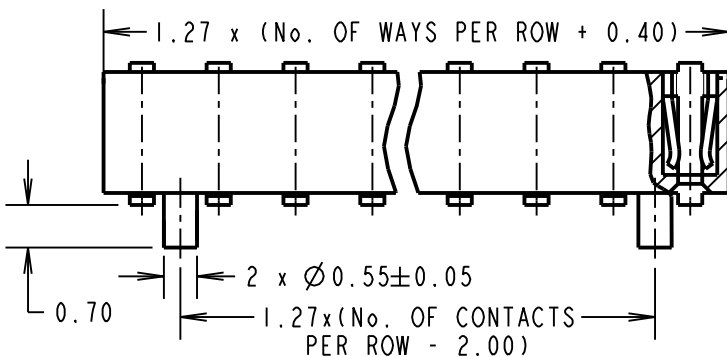
TUBE  
 FOR COMPLETE SPECIFICATION, SEE COMPONENT SPECIFICATION C029XX (LATEST ISSUE)

**NOTES:**

1. ALL TOLERANCES ARE ±0.25 UNLESS OTHERWISE STATED.

**CONTACT POINT**

1.25±0.10



RECOMMENDED PCB LAYOUT

ORDER CODE

**M50-315XXXX**

No. OF WAYS PER ROW: \_\_\_\_\_

03 TO 50

FINISH: \_\_\_\_\_

42 = SELECTIVE GOLD + 100% TIN

SB	13	22.08.11	11415
NAME	ISS.	DATE	C/NOTE
APPROVED:		S.BENNETT	
CHECKED:		S.FLOWER	
DRAWN:		W. J. BOURNE	
CUSTOMER REF.:			
ASSEMBLY DRG:			

**HARWIN**

HARWIN USA  
 TEL: 603 893 5376  
 FAX: 603 893 5396  
 mis@harwin.com

HARWIN Europe (UK)  
 TEL: 023 9231 4545  
 FAX: 023 9231 4590  
 mis@harwin.co.uk

HARWIN Asia  
 TEL: +65 6 779 4909  
 FAX: +65 6 779 3868  
 mis@harwin.com.sg

THIS DRAWING AND ANY INFORMATION OR DESCRIPTIVE MATTER SET OUT HEREON ARE CONFIDENTIAL AND COPYRIGHT PROPERTY OF THE HARWIN GROUP AND MUST NOT BE DISCLOSED, LOANED, COPIED OR USED FOR MANUFACTURING, TENDERING OR FOR ANY OTHER PURPOSE WITHOUT THEIR WRITTEN PERMISSION.

**TOLERANCES**

X = ±1mm  
 X.X = ±0.25mm  
 X.XX = ±0.10mm  
 X.XXX = ±0.01mm  
 ANGLES = ±5°  
 UNLESS STATED

**MATERIAL:**

SEE ABOVE

FINISH: SEE ABOVE

S/AREA:

mm<sup>2</sup>

**TITLE:**

1.27mm PITCH DIL SMT VERT.  
 LOW-PROFILE SOCKET ASSY

DRAWING NUMBER:

**M50-315XXXX**

SHT  
 2 OF 2