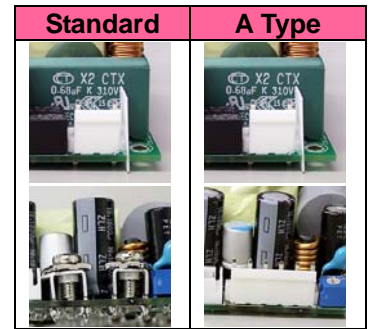


KEY FEATURES

- U Bracket Medical Switching Power Supply
- Cooling by Free Air Convection
- 160 Watts and 240 Watt with 10CFM Forced Air
- 4000VAC Input to Output 2MOPP Insulation
- High Efficiency up to 94%
- With P.F.C. Function >0.9
- <0.5W No Load Input Power
- Built-in 12V / 0.5A Fan Supply
- EMI for Both Class I (with PE) and Class II (without PE) Configuration
- Suitable for BF Application with Appropriate System Consideration
- UL / IEC / EN 60601 3.1 Edition & UL / IEC / EN 60950 AM2 Safety Approvals
- 3-Year Product Warranty


ELECTRICAL SPECIFICATIONS

All specifications valid at normal input voltage, full load and +25°C after warm-up time unless otherwise stated.

Model No.	MQF240U-12S	MQF240U-15S	MQF240U-24S	MQF240U-48S	
Max Output Wattage (with 10CFM FAN) (W)	240 W				
Max Output Wattage (Free air Convection) (W)	160 W				
Input	Voltage (Note 4)	90-264 VAC			
	Frequency (Hz)	47-63 Hz			
	Current (Full load)	< 3.0 A max. (115 VAC) / < 1.5 A max. (230 VAC)			
	Inrush Current (<2ms)	< 45 A max. (115 VAC) / < 90 A max. (230 VAC)			
	Leakage Current	< 0.1mA / 264 VAC (Touch Current)			
	Power Factor	PF>0.9 at Full Load			
	No Load	< 0.5W (115 / 230 VAC)			
Output	Voltage (V.DC.)	12V	15V	24V	48V
	Voltage Adj Range (V.DC.)	±4% Output Voltage			
	Voltage Accuracy	±2%			
	Current (with 10CFM FAN) (A) (max.)	20	16	10	5
	Current (Free air Convection) (A) (max.)	13.3	10.667	6.66	3.33
	Line Regulation	±1%			
	Load Regulation (0-100%)	±1%			
	Minimum Load	0%			
	Maximum Capacitive Load	8000µF	2000µF	3000µF	470µF
	Ripple & Noise (max.) (Note 1)	1% Vout			
	Efficiency (at 230VAC) (Note 6)	92.5%	92.5%	93%	94%
Hold-up Time (at 115 VAC) (Note 2)	10 ms min.				
Protection	Over Power Protection	Auto recovery, Hiccup mode			
	Over Voltage Protection	Auto recovery			
	Overt Temperature Protection	Auto recovery			
	Short Circuit Protection	Protection level 1 (nominal) : Continuous, Auto recovery Protection level 2 (instantaneous high current) : Latch			
Isolation	Input-Output (Note 5)	4000VAC or 5656VDC			
	Input-PE (Note 5)	2000VAC or 2828VDC			
	Output-PE (Note 5)	1500VAC or 2121VDC			
Environment	Operating Temperature	-30°C...+70°C (with derating)			
	Storage Temperature	-30°C...+85°C			
	Temperature Coefficient	±0.05%/°C			
	Altitude During Operation	5000m			
	Humidity	20~90% RH			
	Atmospheric Pressure	56 kPa to 106 kPa			
	MTBF	>250,000 h @ 25°C (MIL-HDBK-217F, Notice 1)			
Vibration	10~500Hz, 2G 10min./1cycle, 60min. each along X, Y, Z axes.				

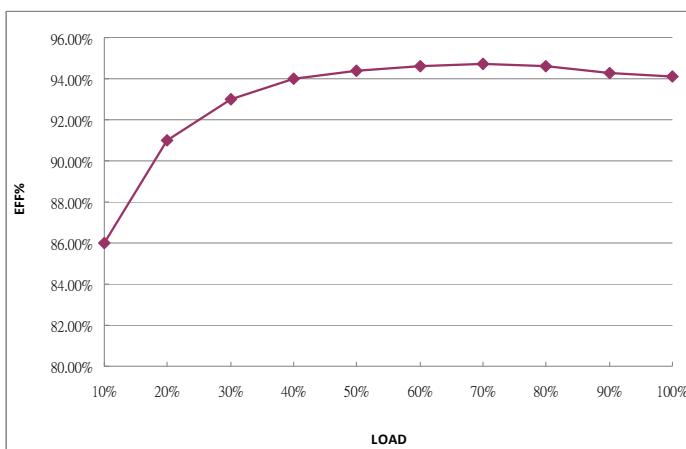
ELECTRICAL SPECIFICATIONS

All specifications valid at normal input voltage, full load and +25°C after warm-up time unless otherwise stated.

Model No.		MQF240U-12S	MQF240U-15S	MQF240U-24S	MQF240U-48S
Physical	Dimension (L x W x H)	4.1 x 2.44 x 1.544 Inches (104.0 x 62.0 x 39.2 mm) Tolerance ±0.5 mm			
	Weight	297 g			
	Cooling Method	Free convection			
Safety	Approval	Others: UL / IEC / EN 60601 3.1 rd Edition & UL / IEC / EN 60950 AM2			
	Approval / Meet	15S: UL / IEC / EN 60601 3.1 rd Edition / UL / IEC / EN 60950 AM2 (meet)			
EMC	Conducted EMI (Note 8)	EN55011 Conducted & Radiated Class B			
	Radiated EMI (Note 8)	EN55011 Class I class B / Class II class A			
	EMS	EN60601-1-2 4th edition			

NOTE

- Ripple & Noise are measured at 20MHz of bandwidth with 0.1uF & 47uF parallel capacitor.
- Hold-up Time measured at 90% Vout.
- Fan Supply=12V/0.5A (max) for driving a fan..
- Please check the derating curve for more details.
- Strongly recommend to conduct this test with DC Voltage. If customer wishes to test with AC Voltage, please disconnect all Y-Capacitors within Arch power supply.
- Vin at 230 VAC & 48 Vout



(After 30 minutes of burn-in)

- The FAN supply is designed to serve as the source of the additive external fan for the cooling of the power supply, enabling the full load delivery and assuring the best life span of the product. Please do not use this FAN supply to drive other devices.

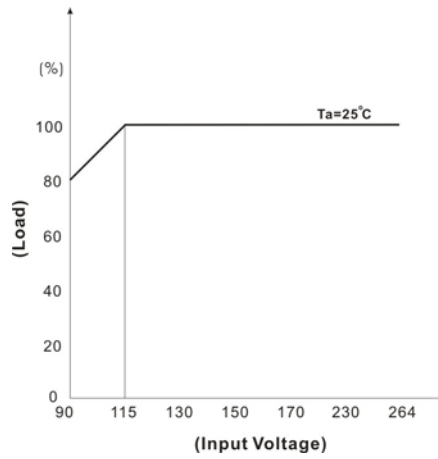
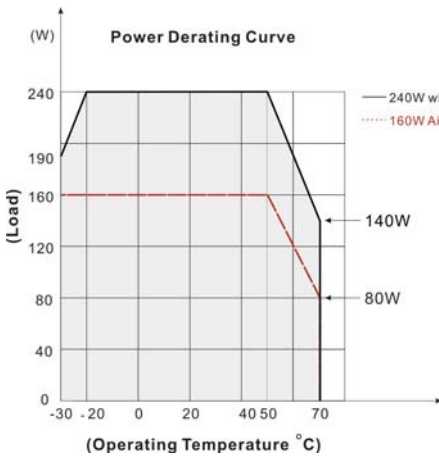
For 12S, 24S, 48S			
Main Output Power	FAN Voltage (at 0.1A)	FAN Voltage (at 0.25A)	FAN Voltage (at 0.5A)
25%	12.1V	11.8V	11.5V
50%	12.2V	11.9V	11.7V
75%	12.3V	12.0V	11.8V
100%	12.5V	12.2V	11.9V

For 15S			
Main Output Power	FAN Voltage (at 0.1A)	FAN Voltage (at 0.25A)	FAN Voltage (at 0.5A)
25%	10.8V	10.2V	9.3V
50%	10.9V	10.3V	9.4V
75%	10.9V	10.4V	9.5V
100%	11.0V	10.4V	9.5V

NOTE

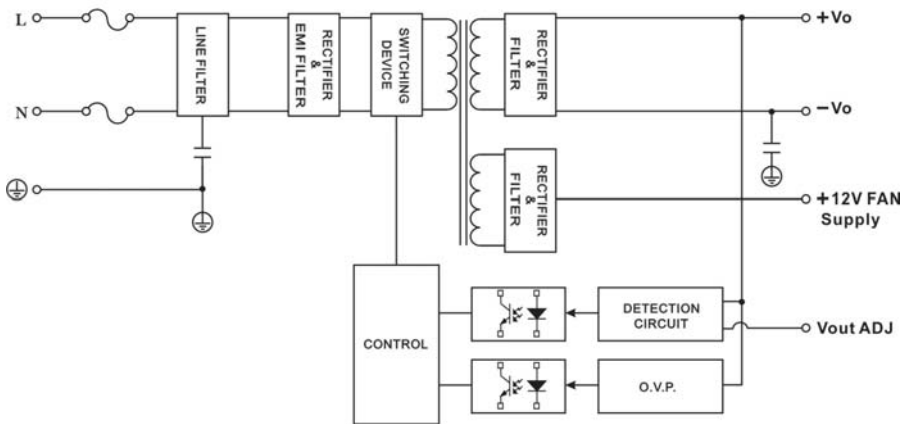
- Please secure the power supply unit to your metal case by using the four screw holes in the corners for either Class I or Class II equipment

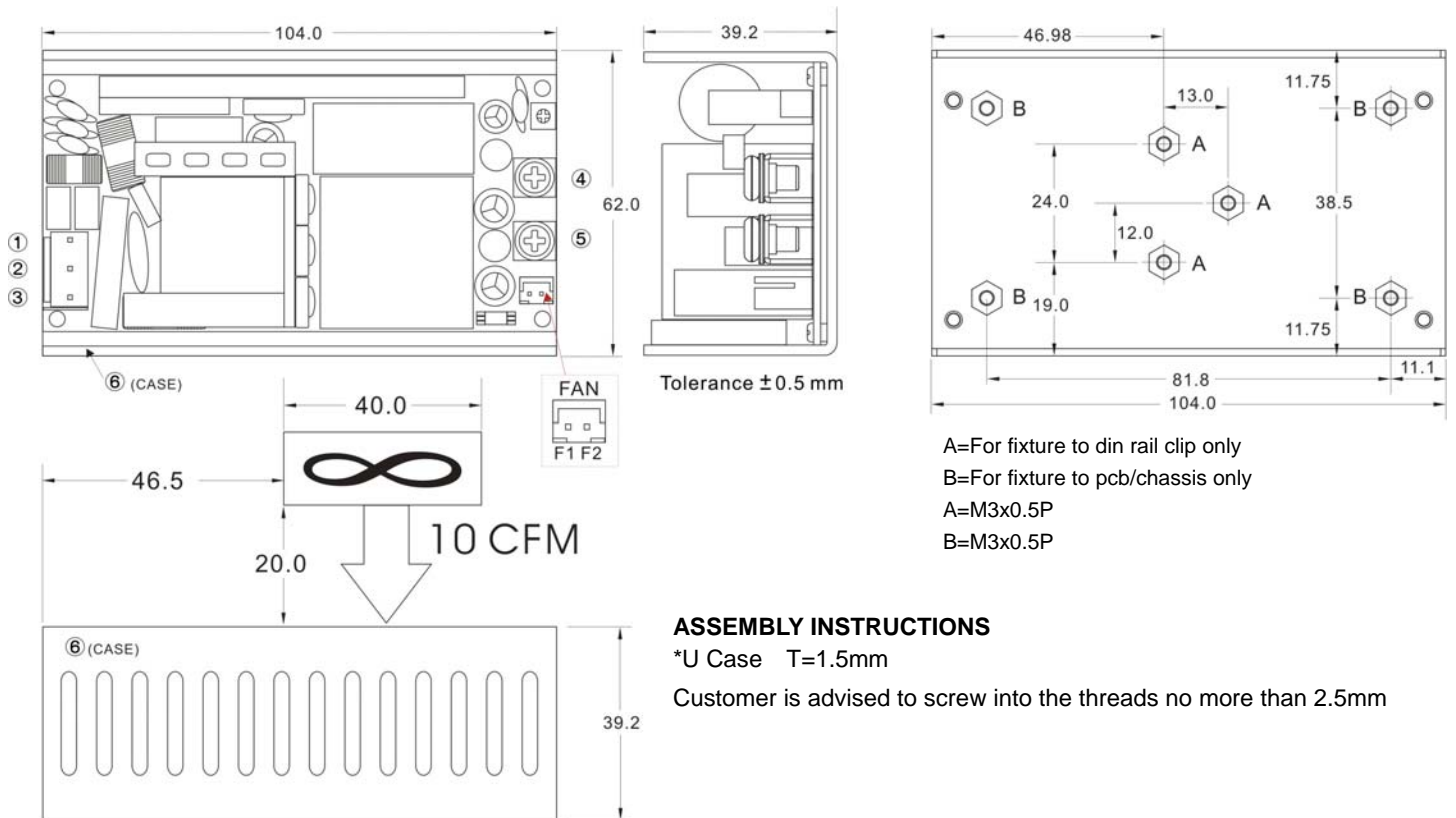
DERATING



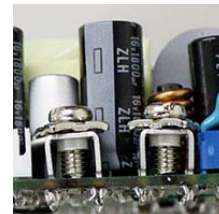
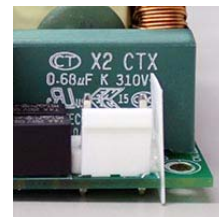
BLOCK DIAGRAM

Single Output

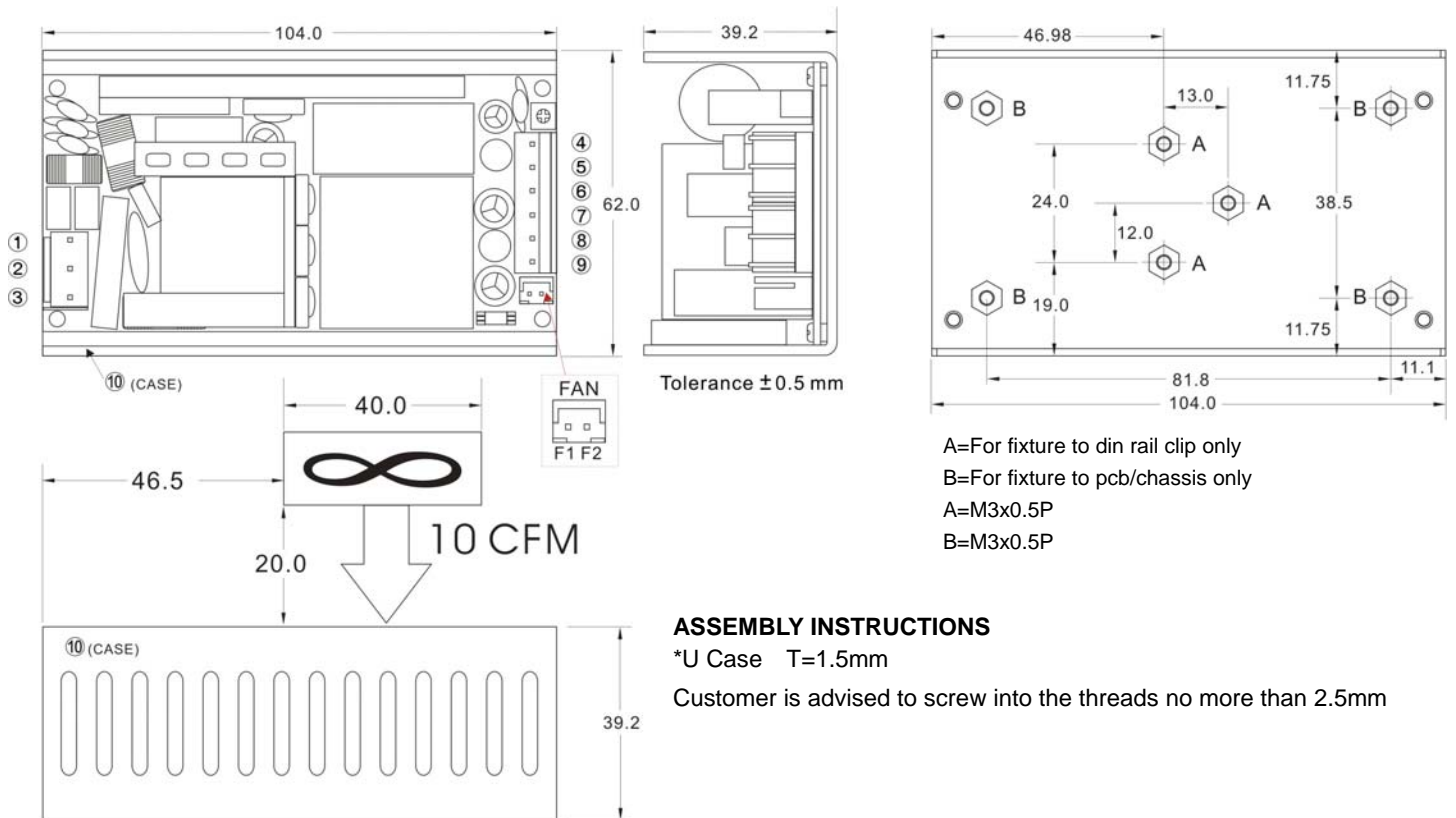


MECHANICAL DIMENSION (Top View)
Standard


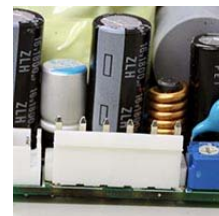
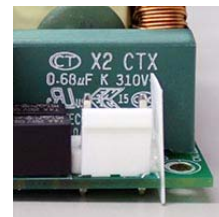
PIN#	Single	Mating Housing	Terminal
AC Input Connector Pin : Alex 9397-3			
1	AC IN (N)	Alex 9396-3 or equivalent	Alex 96T Series or equivalent
2	NO PIN		
3	AC IN (L)		
DC Output Connector Pin			
4	+DC OUT	M3.5 Pan HD screw in 2 positions	
5	-DC OUT	Torque to 8 lbs-in(90 cNm) max.	
Others			
6	PE		



Connector Pin (FAN) = Cherg Weei CX-W250-02			
PIN#	Single	Mating Housing	Terminal
F1	+AUX OUT	Cherg Weei CS-H250-02 or equivalent	Cherg Weei CS-T2501 or equivalent
F2	-AUX OUT		

MECHANICAL DIMENSION (Top View)
A Type


PIN#	Single	Mating Housing	Terminal
AC Input Connector Pin : Alex 9397-3			
1	AC IN (N)	Alex 9396-3 or equivalent	Alex 96T Series or equivalent
2	NO PIN		
3	AC IN (L)		
DC Output Connector Pin : Alex 9397-6			
4-6	+DC OUT	Alex 9396-6 or equivalent	Alex 96T Series or equivalent
7-9	-DC OUT		
Others			
10	PE		



Connector Pin (FAN) = Cherg Weei CX-W250-02			
PIN#	Single	Mating Housing	Terminal
F1	+AUX OUT	Cherg Weei CS-H250-02 or equivalent	Cherg Weei CS-T2501 or equivalent
F2	-AUX OUT		