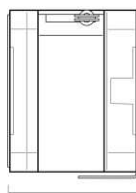


6.4" [164 mm]



4.3" [109 mm]

SK6

Cable Actuated Encoder Reel

The SK6 is easily customizable to any rotary encoder into a 400-inch (10m), the linear position sensor is a perfect solution for applications ranging from mobile construction equipment to hydraulic lift tables and anything else in between.

This model offers ease-of-use, compact design and user flexibility. Designed for popular 2½ inch square flange and 58mm diameter synchro-mount flange encoder styles, the SK6 comes with everything you need to attach your own encoder. Also included is a stainless steel mounting bracket which lets the user easily change measuring cable orientation to one of the 4 different directions.

FEATURES

- Flexibility - Every unit offers linear position up to 400" (10m) providing flexibility to work across a wide range of aerial applications. These series offer a wide selection of industry standard output signals (4-20mA, 0-10Vdc, CANOpen and J1939 CANbus).
- Ease of use - A compact design, a stainless-steel mounting bracket for multiple installation options and an easily-adjustable measuring cable orientation make this sensor easy to install and manage.
- Superior engineering - TE provides engineering partnership to customize for specific applications. There is also an option to have two sensors elements in the same package with no additional space requirement. This provides fail-safe security for aerial applications.

APPLICATIONS

Accurate measurement in customized applications industrial and commercial transportation like:

- Fork lifts
- Telescopic arms
- Boom lifts
- Scissor lifts

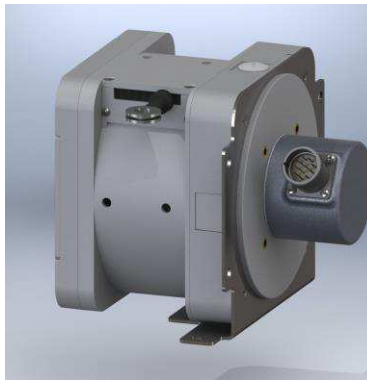
Converts Rotary Encoder to Linear Position Sensor Use with Popular Square Flange & Servo Mount Style
User Adjustable Measuring Cable Orientation

Specifications

Stroke Range	400 inches (10.2 m)
Rotary to Linear Conversion Ratio	1 turn = 15.020 inches
Accuracy	0.04% FS.
Measuring Cable	0.031-inch dia. bare stainless steel
Maximum Cable Velocity	60 inches per second
Maximum Cable Acceleration	5 g
Measuring Cable Tension	23 oz. (6,4 N) \pm 40%
Operating Temperature	-40° to 185° F (-40° to 85° C)

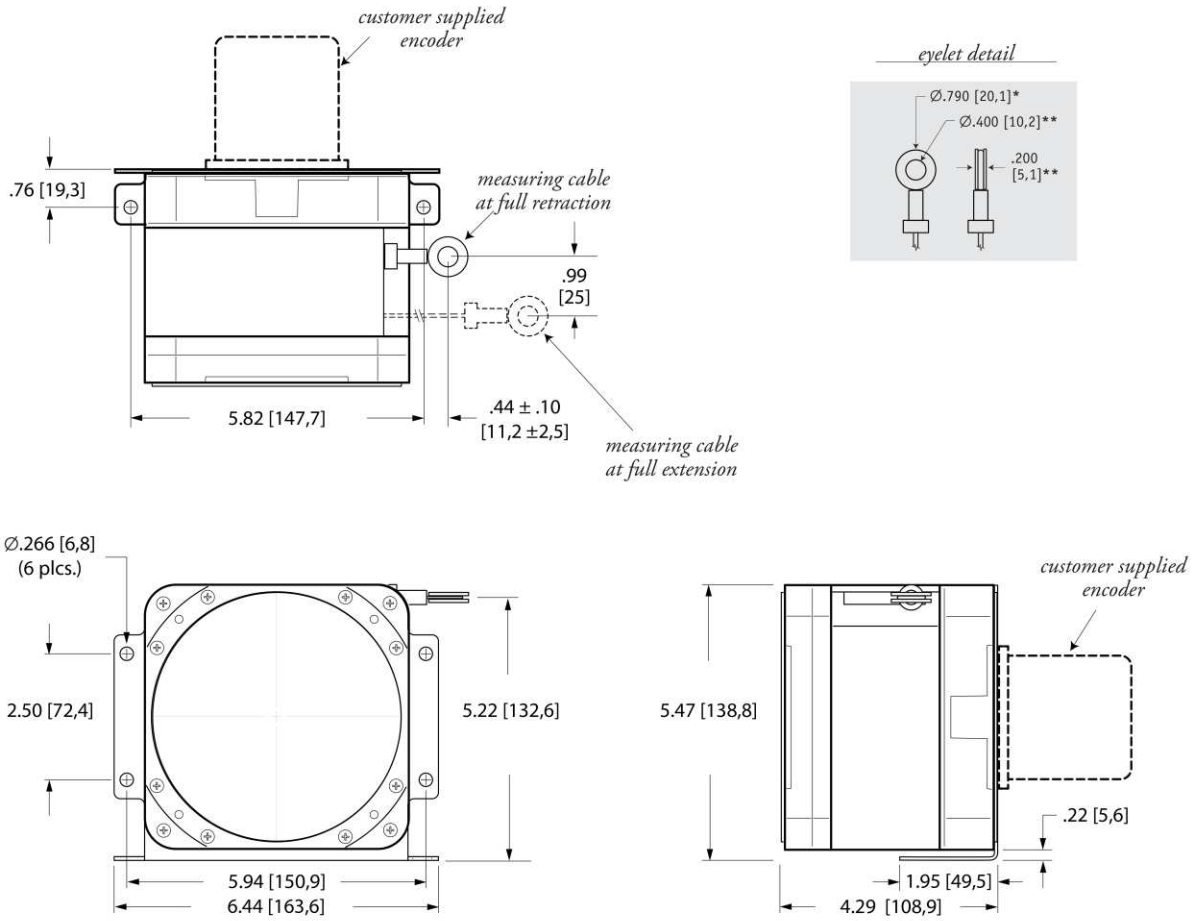


**2.5-inch
Square Flange
Style**



**Ø58 mm
Synchro-Mount
Style**

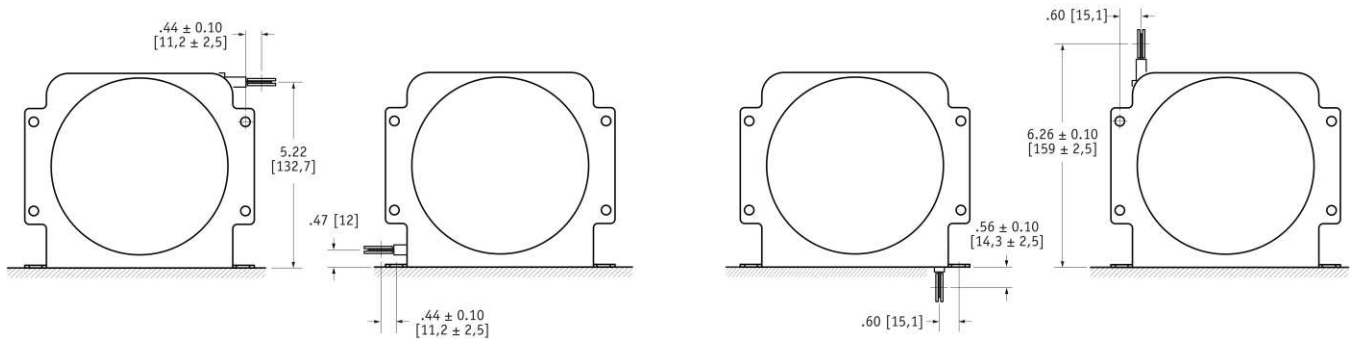
Outline Drawing



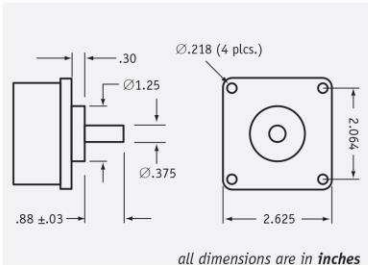
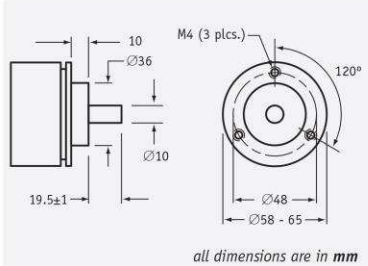
DIMENSIONS ARE IN INCHES [MM]
tolerances are 0.04 IN. [1,0 MM] unless otherwise noted.

* tolerance = $+0.005 -0.001 [+0,1 -0,0]$
** tolerance = $+0.005 -0.005 [+0,1 -0,1]$

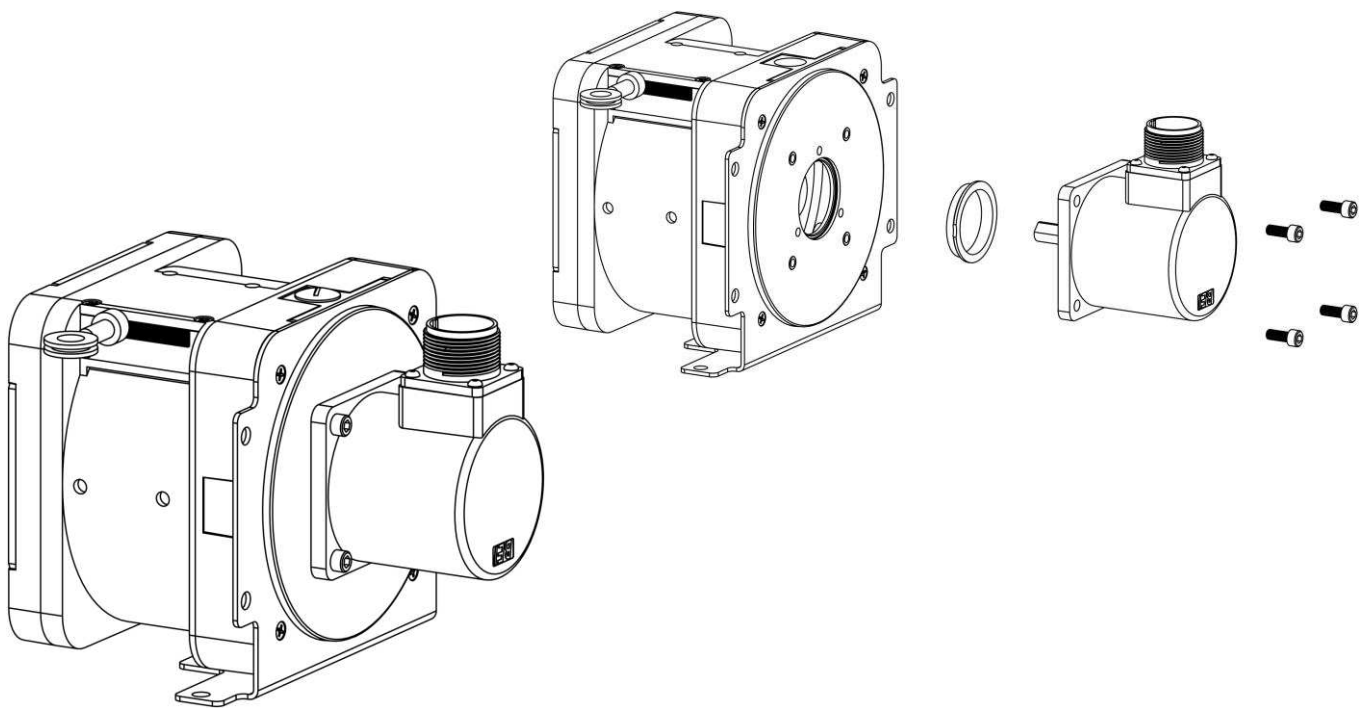
Mounting Options



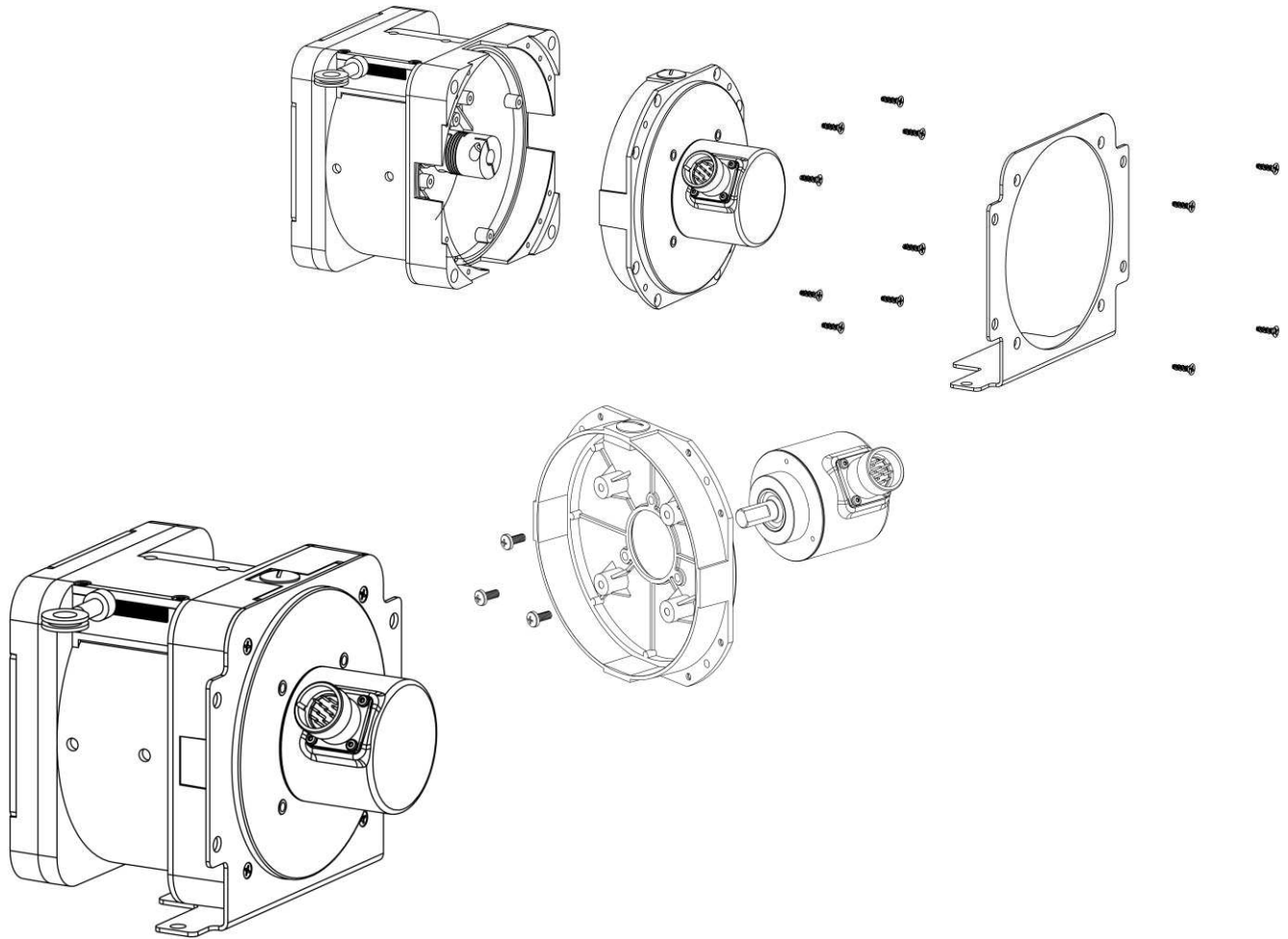
Ordering Information

Order Number	Encoder Mounting Style	stroke range	
SK6-400-F01	 <p><i>all dimensions are in inches</i></p>	<p>F01 2½-inch Sq. Flange with 3/8-inch shaft</p>	<p>400 inches (10,2 m)</p>
SK6-400-S02	 <p><i>all dimensions are in mm</i></p>	<p>S02 Synchro-Mount (Face Mount) with 10mm shaft / M4 screws</p>	<p>400 inches (10,2 m)</p>

2.5-inch Square Flange Encoder Installation



Synchro-Mount Encoder Installation



NORTH AMERICA

Measurement Specialties, Inc.,
a TE Connectivity Company
Phone: +1-800-522-6752
Email: customercare.hmpt@te.com

EUROPE

MEAS Deutschland GmbH (Europe)
a TE Connectivity Company
Phone: +31 73 624 6999
Email: customercare.dtimd@te.com

ASIA

Measurement Specialties (China), Ltd.,
a TE Connectivity Company
Phone: +86-400-820-6015
Email: customercare.shzn@te.com

TE.com/sensors

Measurement Specialties, TE Connectivity, TE Connectivity (logo) and EVERY CONNECTION COUNTS are trademarks. All other logos, products and/or company names referred to herein might be trademarks of their respective owners.

The information given herein, including drawings, illustrations and schematics which are intended for illustration purposes only, is believed to be reliable. However, TE Connectivity makes no warranties as to its accuracy or completeness and disclaims any liability in connection with its use. TE Connectivity's obligations shall only be as set forth in TE Connectivity's Standard Terms and Conditions of Sale for this product and in no case will TE Connectivity be liable for any incidental, indirect or consequential damages arising out of the sale, resale, use or misuse of the product. Users of TE Connectivity products should make their own evaluation to determine the suitability of each such product for the specific application.

© 2019 TE Connectivity Ltd. family of companies All Rights Reserved.