

# High Current Unshielded, SMD Power Inductors



4.5 x 4.0 x 3.2mm

**ASPI-0403H**

**MSL level: 1**



RoHS/RoHS II compliant

## FEATURES:

- Suitable for RoHS reflow profile
- High current rating and low DCR
- 3.2mm height profile
- Target lower Inductance range
- Special lead wire design to prevent open circuit failure
- Excellent terminal strength to mechanical stress

## APPLICATIONS:

- OA equipments
- PC and notebook
- LCD TV set
- Power supply

## ELECTRICAL SPECIFICATIONS:

Abracon P/N:	ASPI-0403H Series
Operating Temperature:	-40°C to +125°C
Storage Temperature:	-10°C to +40°C

PART NUMBER	INDUCTANCE (uH)	Tolerance	DCR(Ω) max	IDC (A) max	Inductance Code
ASPI-0403H-1R0	1.0	M	0.033	3.80	1R0
ASPI-0403H-1R4	1.4	M	0.038	3.30	1R4
ASPI-0403H-1R8	1.8	M	0.042	2.91	1R8
ASPI-0403H-2R2	2.2	M	0.047	2.60	2R2
ASPI-0403H-2R7	2.7	M	0.052	2.43	2R7
ASPI-0403H-3R3	3.3	M	0.058	2.15	3R3
ASPI-0403H-3R9	3.9	M	0.076	1.98	3R9
ASPI-0403H-4R7	4.7	M	0.094	1.70	4R7
ASPI-0403H-5R6	5.6	M	0.101	1.60	5R6
ASPI-0403H-6R8	6.8	K	0.117	1.40	6R8
ASPI-0403H-8R2	8.2	K	0.132	1.26	8R2
ASPI-0403H-100	10	K	0.182	1.15	100
ASPI-0403H-120	12	K	0.210	1.05	120
ASPI-0403H-150	15	K	0.235	0.92	150
ASPI-0403H-180	18	K	0.338	0.84	180
ASPI-0403H-220	22	K	0.378	0.76	220
ASPI-0403H-270	27	K	0.522	0.71	270
ASPI-0403H-330	33	K	0.540	0.64	330
ASPI-0403H-390	39	K	0.587	0.59	390
ASPI-0403H-470	47	K	0.844	0.54	470
ASPI-0403H-560	56	K	0.937	0.46	560
ASPI-0403H-680	68	K	1.170	0.48	680
ASPI-0403H-820	82	K	1.20	0.30	820

## Test Conditions

**Inductance:** Test Frequency: 100KHz / 1V

**Isat:**  $\Delta L/L$  (initial)  $\geq$  -10% or  $\Delta T=40^{\circ}C$  ( $T_a=20^{\circ}C$ ), whichever is lower.

**Test Equipment:** UC1068B

## OPTIONS AND PART IDENTIFICATION

ASPI-0403H- [ ] [ ] [ ]

**Inductance Code**  
Please refer to the table above

**Tolerance %**  
K:  $\pm$  10%  
M:  $\pm$  20%

**Packaging**  
T: Tape and Reel (2Kpcs / reel)

# High Current Unshielded, SMD Power Inductors



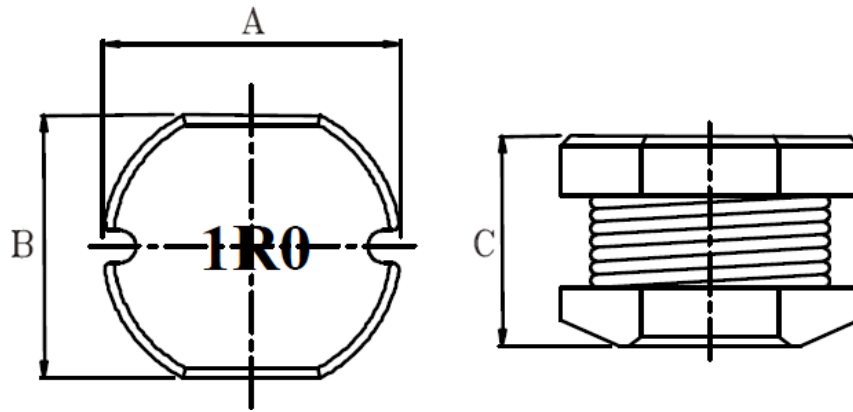
4.5 x 4.0 x 3.2mm

ASPI-0403H

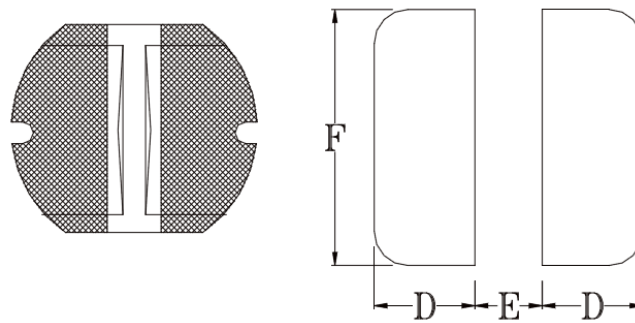


RoHS/RoHS II compliant

## OUTLINE DRAWING:



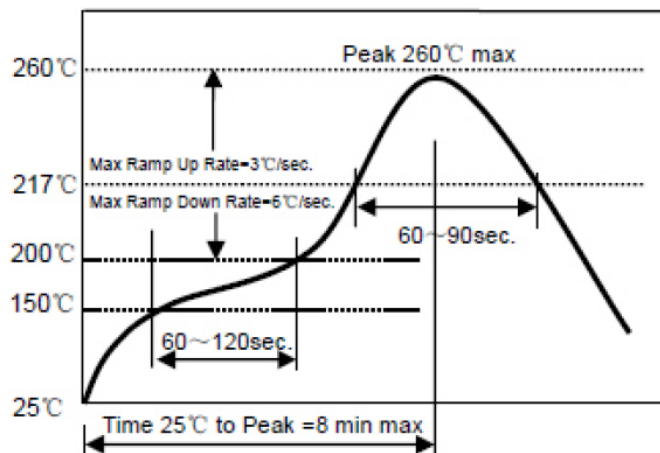
### Recommended Land Pattern



A	B	C	D	E	F
4.5±0.3	4.0±0.3	3.2±0.30	1.80	1.50	4.50

Dimension: mm

## REFLOW PROFILE:



# High Current Unshielded, SMD Power Inductors



4.5 x 4.0 x 3.2mm

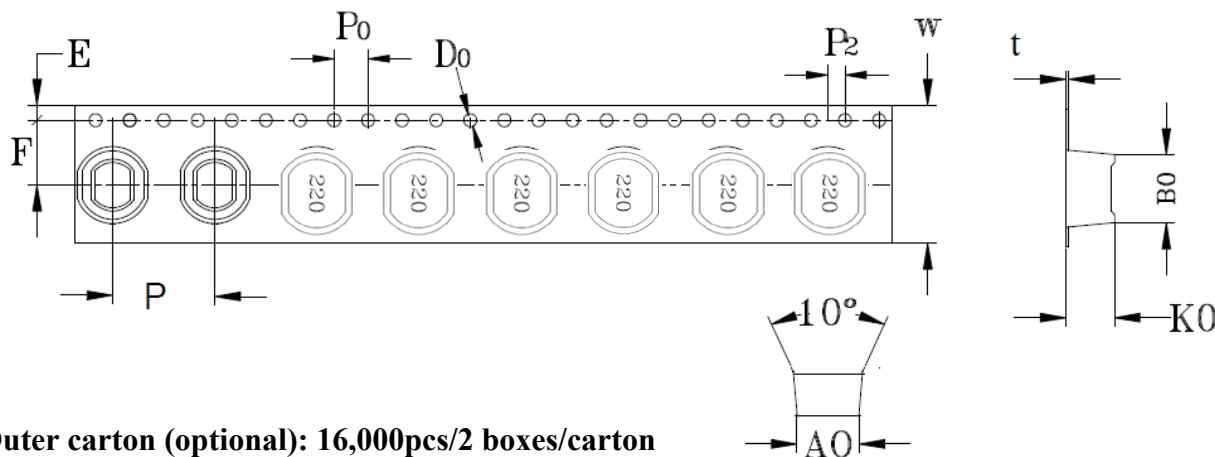
ASPI-0403H



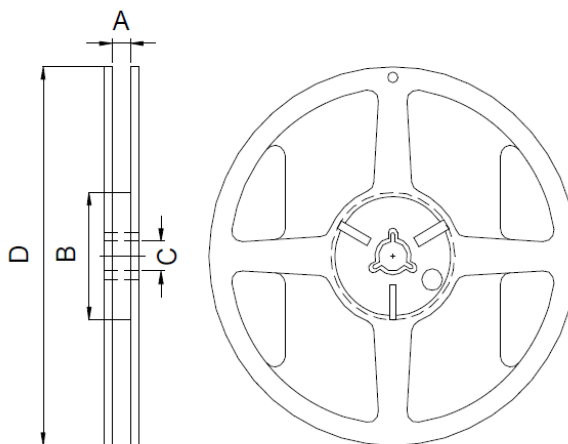
RoHS/RoHS II compliant

## TAPE & REEL:

**Packing** 2,000pcs / tape & reel, 8,000pcs / 4 reels / box  
**Weight:** 0.26 grams / pcs



**Outer carton (optional):** 16,000pcs/2 boxes/carton  
**GW:** 12.8kg/carton



CARRIER TAPE / SIZE (mm)										REEL 13"×24mm			
A0	B0	K0	F	E	W	P	P0	P2	t	A	B	C	D
4.25 ± 0.1	4.8 ± 0.1	3.6 ± 0.1	5.5 ± 0.1	1.75 ± 0.1	12 ± 0.3	8 ± 0.1	4 ± 0.1	2 ± 0.1	0.4 ± 0.05	12.4 ± 0.2	100 ± 0.5	13.0 ± 0.2	330 ± 2.0

Dimension: mm

**ATTENTION** Abracon Corporation's products are COTS – Commercial-Off-The-Shelf products; suitable for Commercial, Industrial and, where designated, Automotive Applications. Abracon's products are not specifically designed for Military, Aviation, Aerospace, Life-dependant Medical applications or any application requiring high reliability where component failure could result in loss of life and/or property. For applications requiring high reliability and/or presenting an extreme operating environment, written consent and authorization from Abracon Corporation is required. Please contact Abracon Corporation for more information.

ABRACON IS  
ISO9001:2008  
CERTIFIED



2 Faraday, Suite# B | Irvine | CA 92618 **Revised: 11.09.15**  
 Ph. 949.546.8000 | Fax. 949.546.8001  
 Visit [www.abracon.com](http://www.abracon.com) for Terms and Conditions of Sale