

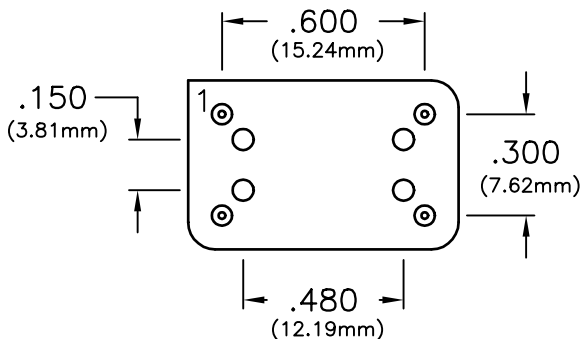
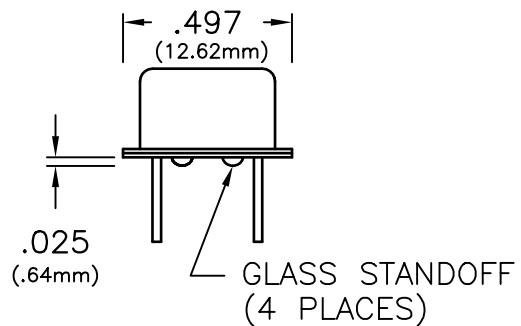
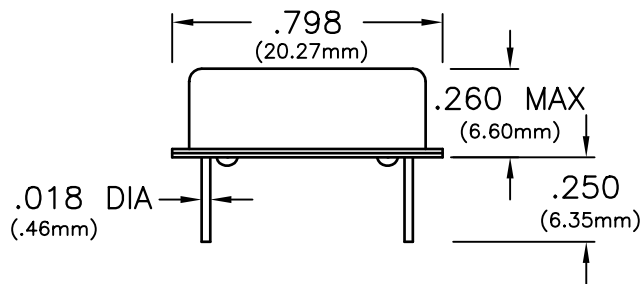


CONNOR-WINFIELD CORPORATION

AURORA, IL. 60505
 PHONE (630) 851-4722
 FAX (630) 851-5040

14 PIN DIP PECL

SPECIFICATIONS	E13-253-*	E13-353-*	E13-152-*
Frequency Range	8MHz to 225MHz		
Frequency Stability	±.005%	±.01%	±.0025%
Temperature Range	0°C to +70°C		
Output	Waveform	PECL Squarewave, 100K and 10K Compatible	
	Voltage	3.96 Minimum	
	Vol	3.40 Maximum	
	Duty Cycle	40/60 Maximum Measured at 3.67V	
	Rise/Fall Time	1.5nS Typical, 2.0nS Maximum	
Output is terminated into 50 ohms to +3Vdc referenced to Vcc OR 270 ohms to Vee			
Supply Voltage	+5Vdc ±5%		
Supply Current	70mA Maximum		
Package	All metal, hermetically sealed, welded package		
Options * (add letter to end of model number)	1	Pin 1: Complementary Output	
	2	Pin 1: Enable/Disable Enable; Low Level (Vil) , Disable; High Level (Vih) NOTE: When oscillator is disabled the output is in a low state (Vol)	
	3	Pin 1: No Connection	



PIN	CONNECTION
1	INTERNALLY CONNECTED
7	Vee (CASE GROUND)
8	OUTPUT
14	Vcc

Dimensional Tolerance: ±.005

Specifications subject to change without notice

BULLETIN #: EC025
 PAGE 1 OF 2

REV: 02
 DATE: 5/15/95

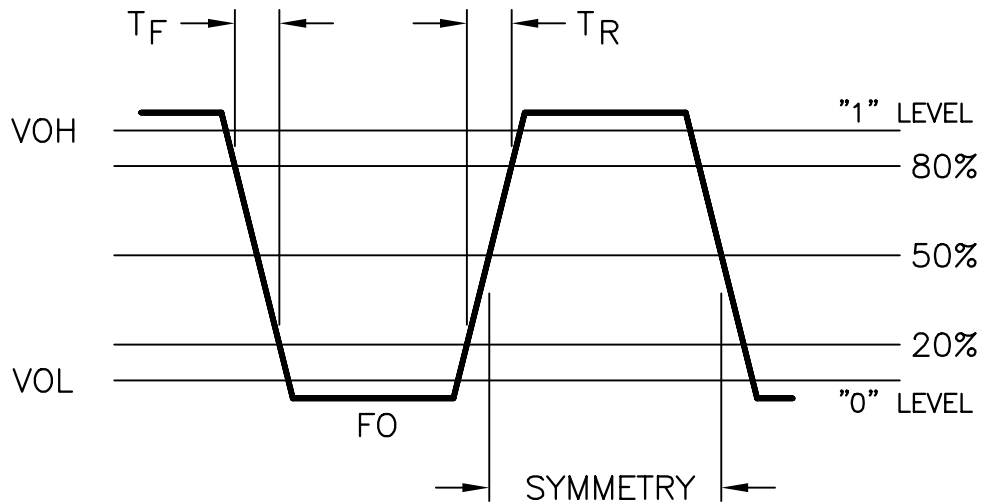
ISSUED BY: _____



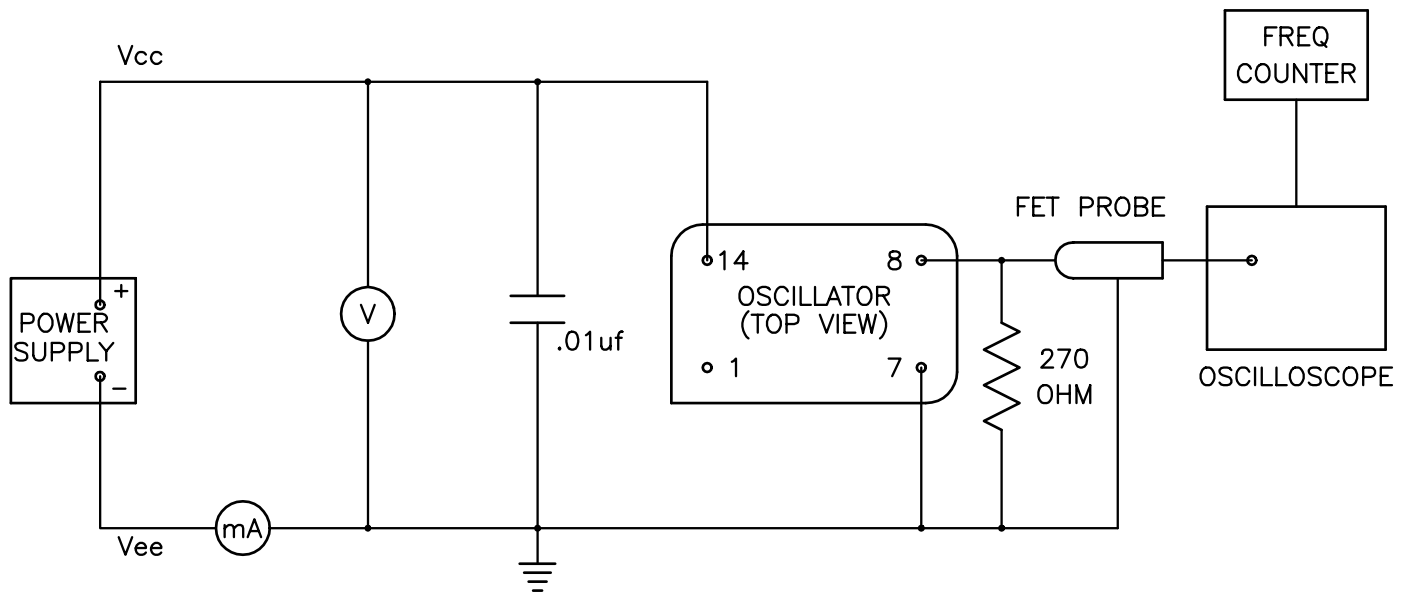
CONNOR-WINFIELD CORPORATION

AURORA, IL. 60505
PHONE (630) 851-4722
FAX (630) 851-5040

OUTPUT WAVEFORM



TEST CIRCUIT



Specifications subject to change without notice

BULLETIN #: EC025
PAGE 2 OF 2

REV: 02
DATE: 5/15/95

ISSUED BY: _____