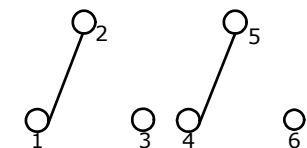
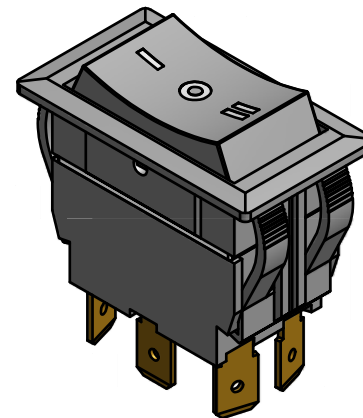
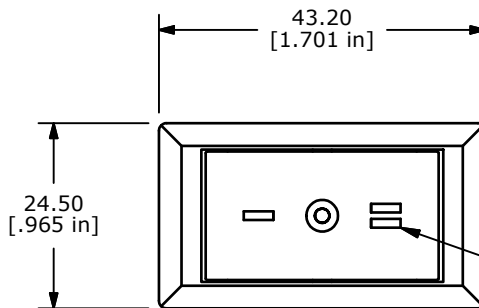
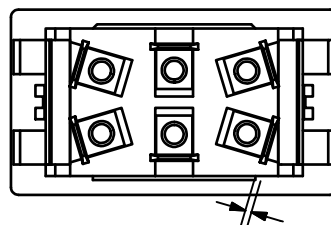
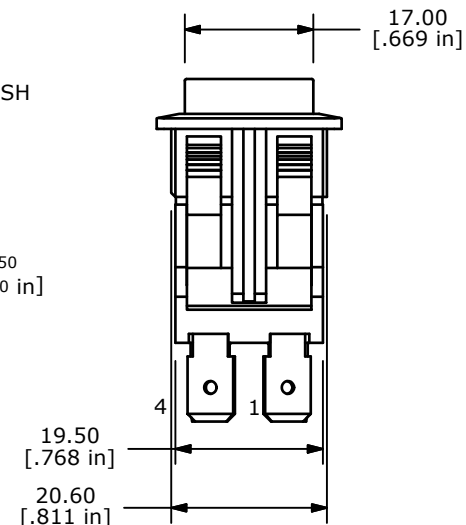
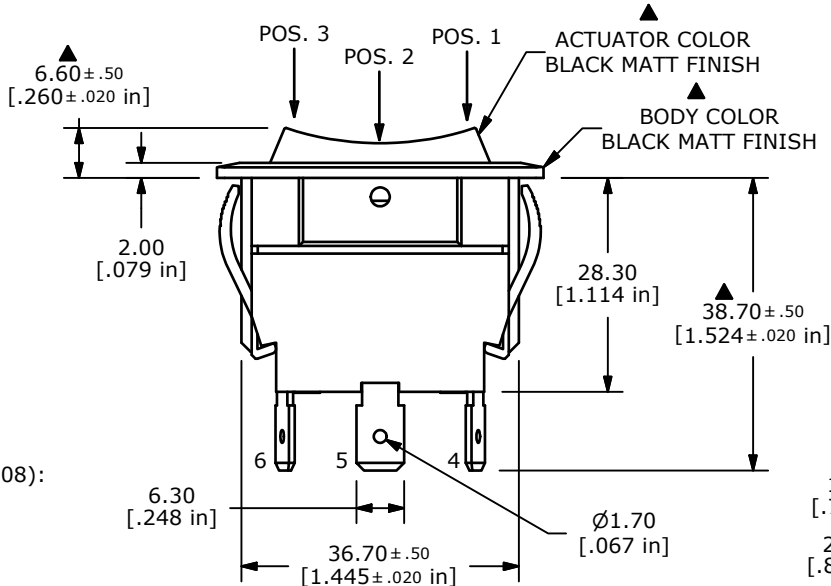


SUGGESTED PANEL CUTOUT
MAX PANEL THICKNESS 6.0mm



▲ **CIRCUIT: DPDT**
ON - OFF - ON

SWITCH FUNCTION		
POS. 3	POS. 2	POS. 1
ON	OFF	ON
2-1; 5-4	OPEN	2-3; 5-6



NOTES:

1. ALL DIMENSIONS IN MM [INCH]
2. GENERAL TOLERANCE: X.X=± 0.4
X.XX=± 0.25
- ▲ 3. RATINGS: ANSI/UL 508 AND CAN/CSA C22.2 NO.14 (E195908):
20A, 125VAC [cURus]
15A, 277VAC [cURus]
2HP, 110/250VAC [cURus]
4. CONTACT RESISTANCE: 50 mΩ MAX. @ 50VAC
5. INSULATION RESISTANCE: 800 MΩ MIN. @ 500VDC
6. OPERATING TEMPERATURE: -20°C TO +65°C [cURus, CSA]
-20°C TO +125°C [VDE]
7. ELECTRICAL LIFE: 6,000 CYCLES [cURus]
8. DIELECTRIC STRENGTH: 1,500V FOR 1 MINUTE
9. OPERATING TEMPERATURE: -20°C TO 55°C [cURus]
10. INGRESS PROTECTION: IP54
11. ▲ DENOTES CRITICAL PARAMETER
12. 2002/95/EC (RoHS) COMPLIANT.



TITLE RVW46D112S

A	21647	RELEASE FOR PRODUCTION	10/21/14	rc
REV	PCR NO	DESCRIPTION	DATE	BY

SCALE	DATE	DR	DWG	REV
	10/8/2014	rc	34-RVW46D112S	A

THE INFORMATION CONTAINED IN THIS DOCUMENT IS PROPRIETARY TO E-SWITCH AND IS NOT TO BE COPIED OR TRANSFERRED