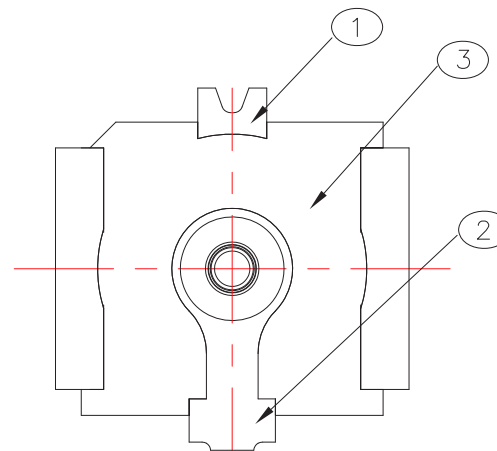
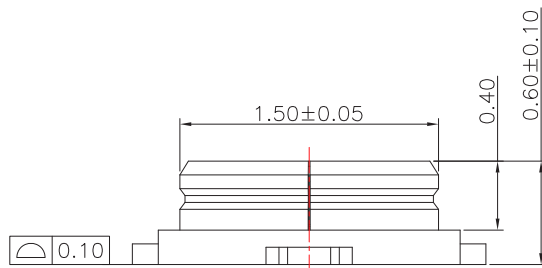


Recommended PCB Layout
(General Tolerance Is ± 0.05)

NOTE:

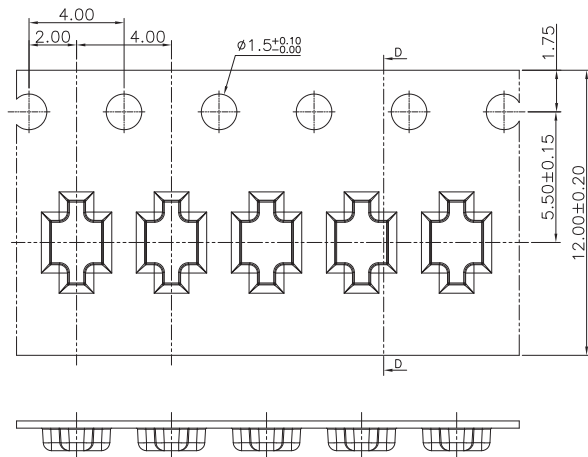
1. MATERIAL:
 - ① 1.1. HOUSING: LCP E6808, COLOR: BLACK, UL 94V-0;
 - ② 1.2. CONTACT: C2680, T=0.10mm;
 - ③ 1.3. SHELL: C5191, T=0.12mm.
2. FINISH:
 - 2.1. CONTACT: GOLD FLASH PLATED ON MATING AREA, GOLD FLASH ON SOLDER TAILS, 1.27um Min NICKEL PLATED UNDER OVER OF THE ALL;
 - 2.2. SHELL: GOLD FLASH ON THE ALL, 1.27um Min NICKEL PLATED UNDER OVER OF THE ALL;



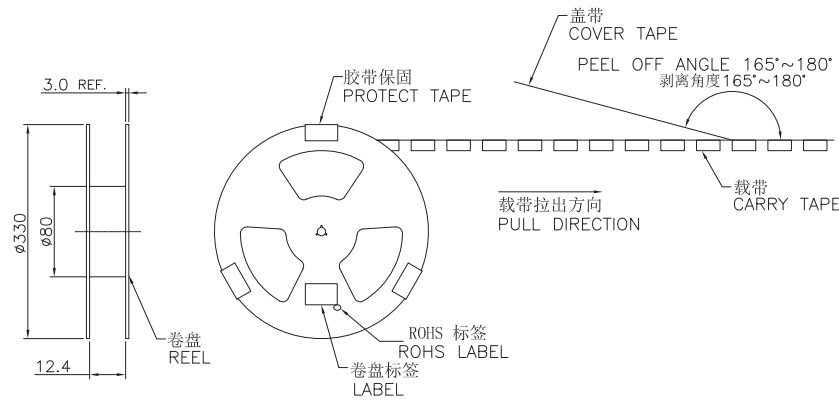
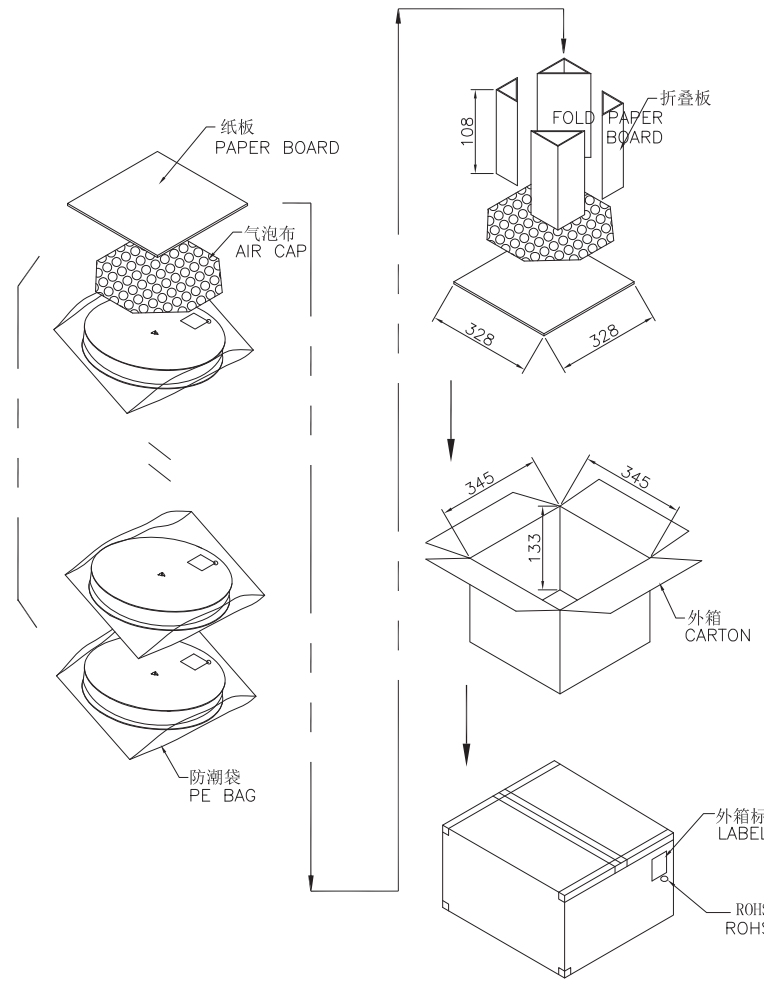
MANUFACTURE DWG		 东莞市讯普电子科技有限公司 DongGuan XunPu Electronics Co., Ltd			
UNLESS OTHERWISE SPECIFIED TOLERANCES			TITLE: ULTRA SMALL SURFACE MOUNT COAXIAL CONN. USS RF SERIES		
DECIMALS: X.:±0.50			PAR	SP-RF-004	
X.X:±0.10			DWN	KING	2013.06.15
X.XX:±0.05			CHKD	APVD	
ANGLES: X'.:±2'	X.X':±1'	SCALE: 1:1	UNIT: MM		
		CUSTOMER COPY	SIZE: A4	SHEET: 1F1	REV: A

ROHS Compliant

MAPX	MODIFICATION	DATE	DRAW	APPROVE



ROHS
ROHS标签
ROHS LABEL



1: 包装内容
INFORMATIONS OF THE PACKING

品名 (TITLE)	料号 (P/N)	一卷包装数量 Q'TY/REEL	一箱包装数量 Q'TY/CARTON
RF1.2H REC CONNECTOR	SP-RF-004	5000PCS	20000PCS

MANUFACTURE DWG		东莞市讯普电子科技有限公司 DongGuan XunPu Electronics Co.,Ltd			
UNLESS OTHERWISE SPECIFIED TOLERANCES			TITLE:ULTRA SMALL SURFACE MOUNT COAXIAL CONN. USS RF SERIES		
DECIMALS:	ANGLES:		PAR	SP-RF-004	
X.:±0.50	X'.:±2'		DWN	KING	2013.06.15
X.X:±0.10	X.X':±1'		CHKD	APVD	
X.XX:±0.05		SCALE:1:1	UNIT:MM		
CUSTOMER COPY		SIZE:A4	SHEET:1F1	REV:A	