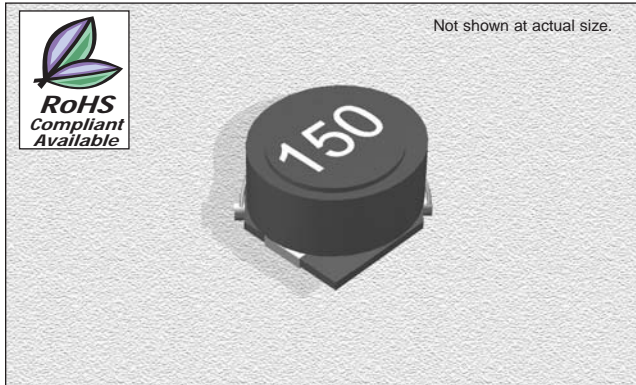


CTSLF1045 Series

From 10 μH to 1500 μH



SPECIFICATIONS

Parts are available in $\pm 20\%$ tolerance only.
 CTSLF1045TE Please specify "F" for RoHS compliant.

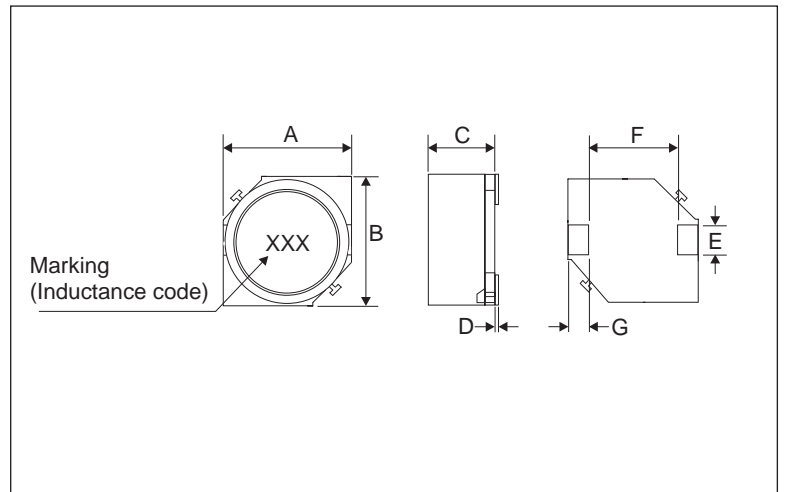
Part Number	Inductance (μH)	L Test Freq. (kHz)	DCR $\pm 20\%$ (Ω)	Rated DC (A)	Itemp Max. (A)
CTSLF1045T_-100M	10	1.0	0.0364	3.0	2.5
CTSLF1045T_-150M	15	1.0	0.0472	2.4	2.2
CTSLF1045T_-220M	22	1.0	0.0591	2.1	1.9
CTSLF1045T_-330M	33	1.0	0.0815	1.6	1.7
CTSLF1045T_-470M	47	1.0	0.1	1.4	1.5
CTSLF1045T_-680M	68	1.0	0.14	1.2	1.3
CTSLF1045T_-101M	100	1.0	0.2	1.0	1.1
CTSLF1045T_-151M	150	1.0	0.35	0.79	0.81
CTSLF1045T_-221M	220	1.0	0.47	0.65	0.7
CTSLF1045T_-331M	330	1.0	0.68	0.54	0.58
CTSLF1045T_-471M	470	1.0	1.03	0.47	0.47
CTSLF1045T_-681M	680	1.0	1.6	0.38	0.38
CTSLF1045T_-102M	1000	1.0	2.8	0.32	0.29
CTSLF1045T_-152M	1500	1.0	3.4	0.22	0.26

PHYSICAL DIMENSIONS

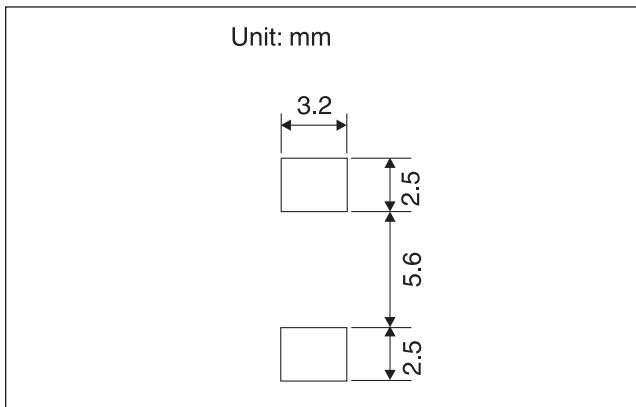
Size	A	B	C	D Typ.	E	F	G
mm	10.1 \pm 0.3	10.1 \pm 0.3	4.5 \pm 0.3	0.15	3 \pm 0.1	6 \pm 0.2	2 \pm 0.15
inches	0.40 \pm 0.012	0.40 \pm 0.012	0.18 \pm 0.012	0.006	0.12 \pm 0.004	0.24 \pm 0.008	0.08 \pm 0.006

CHARACTERISTICS

- Description:** SMD (shielded) power inductor
- Applications:** For power source circuits, low profile type DC to DC converters, DC to AC inverters etc.
- Operating Temperature:** -20°C to +85°C
- Inductance Tolerance:** $\pm 20\%$
- Testing:** Inductance is tested on an HP4284A at 1.0 kHz, 0.5V
- IDC Current:** Value obtained when DC current flows and the initial value of inductance has fallen by 10%
- Itemp Current:** Value obtained when current flows and the temperature has risen to 30°C
- Packaging:** Tape & Reel
- Marking:** Parts are marked with inductance code
- Miscellaneous:** Magnetically shielded. **RoHS Compliant available.**
- Additional Information:** Additional electrical & physical information available upon request
- Samples available. See website for ordering information.**



PAD LAYOUT



08.29.05