

PLEASE CHECK WWW.MOLEX.COM FOR LATEST PART INFORMATION

Part Number: [5013280200](#)
Status: **Active**
Overview: [inertia lock 330mm wiretowire system](#)
Description: 3.30mm (.130") Pitch Wire-to-Wire Inertia Lock Receptacle Housing, Single Row, 2 Circuits, White

Documents:

[Drawing \(PDF\)](#) [RoHS Certificate of Compliance \(PDF\)](#)
[Product Specification PS-501328-001 \(PDF\)](#)

General

Product Family	Crimp Housings
Series	501328
Overview	inertia lock 330mm wiretowire system
Product Name	Inertia Lock

Physical

Circuits (maximum)	2
Color - Resin	White
Gender	Female
Glow-Wire Compliant	No
Lock to Mating Part	Yes
Material - Resin	Nylon
Number of Rows	1
Packaging Type	Bag
Panel Mount	No
Pitch - Mating Interface (in)	0.130 In
Pitch - Mating Interface (mm)	3.30 mm
Polarized to Mating Part	Yes
Stackable	No
Temperature Range - Operating	-25°C to +80°C

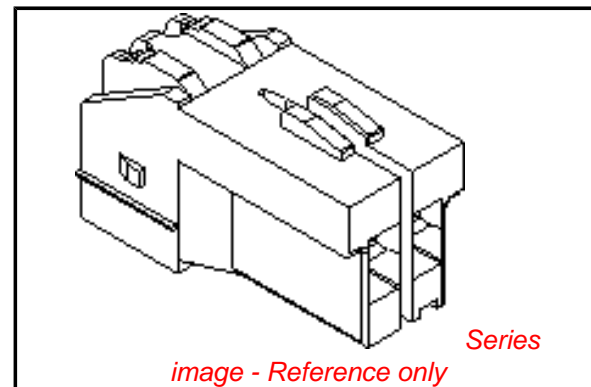
Electrical

Current - Maximum per Contact	4A
-------------------------------	----

Material Info

Reference - Drawing Numbers

Packaging Specification	SPK-501328-001
Product Specification	PS-501328-001, RPS-501328-002, RPS-501328-003
Sales Drawing	SD-501328-001



EU RoHS

ELV and RoHS Compliant
REACH SVHC
 Not Reviewed
Halogen-Free Status
 Not Reviewed

China RoHS



Need more information on product environmental compliance?

Email productcompliance@molex.com
 For a multiple part number RoHS Certificate of Compliance, [click here](#)

Please visit the [Contact Us](#) section for any non-product compliance questions.

Search Parts in this Series

[501328Series](#)

Mates With

[501329-0200](#) Plug Housing . [56265](#) Plug Terminal for AWG#18- 20 . [56279](#) Plug Terminal for AWG#22-26

Use With

[51348-0213](#) Retainer . [501395](#) Receptacle Terminal for AWG# 18-20 . [500989](#) Receptacle Terminal for AWG#22-26

10 9 8 7 6 5 4 3 2 1

F

E

D

C

B

A

F

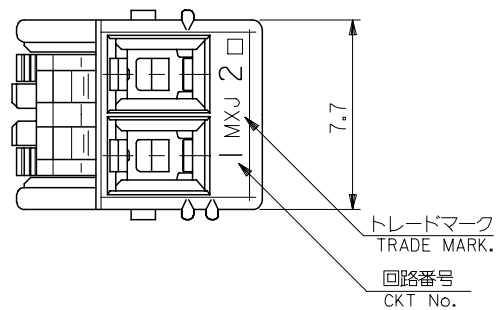
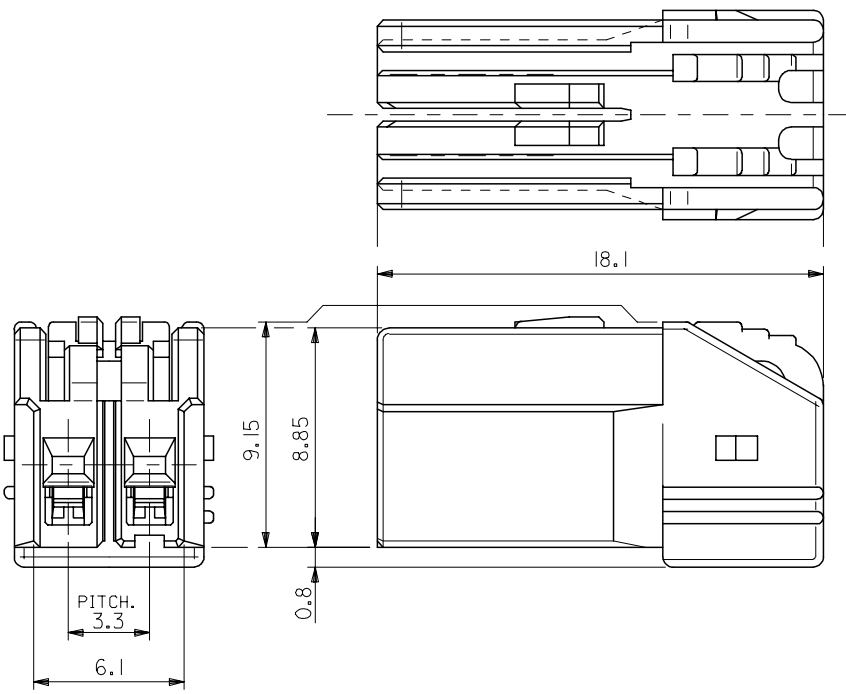
E

D

C

B

A

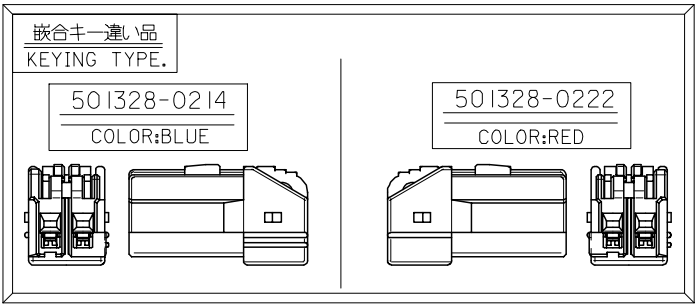
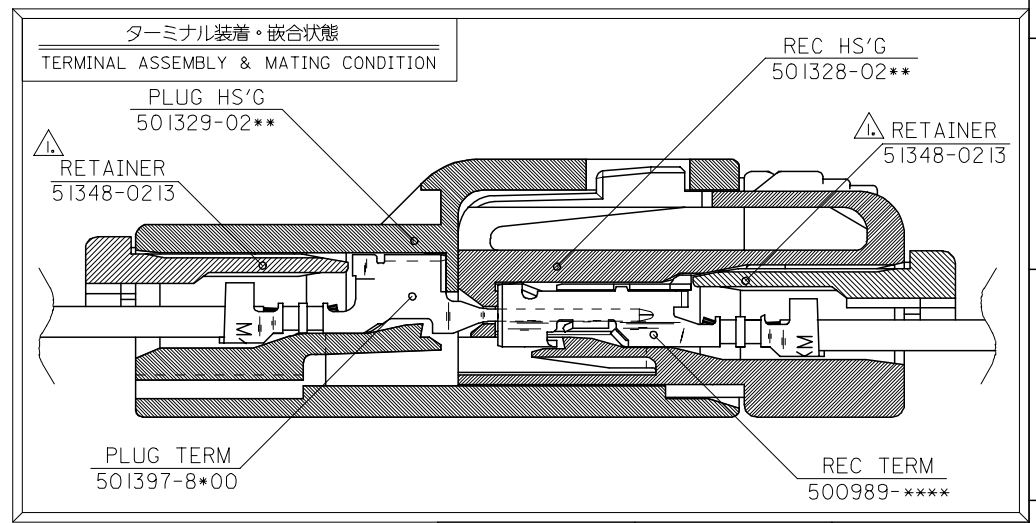


注記
NOTES.

△ 適合リテーナ : 51348-0213
APPLICABLE RETAINER
詳細は SD-51348-001 を参照下さい。
REFERENCE:SD-51348-001

2. 材料 : NYLON66,UL94V-0
MATERIAL

本形状は 501328-0200 を示す。
SHAPE OF 501328-0200



BLUE	501328-0214	501328-02**
RED	501328-0222	
WHITE	501328-0200	
COLOR	MATERIAL No.	MODEL No.

RELEASED EC NO: J2005-2177 DRWN:TODA CHKD:KASAKAWA APPR:SIKAWA 2005/03/31 2005/03/31 2005/03/31	GENERAL TOLERANCES (UNLESS SPECIFIED)		DIMENSION STYLE MM ONLY		SCALE 5:1	DESIGN UNITS METRIC	THIRD ANGLE PROJECTION
	10 UNDER	±0.2	DRAWN BY T.ODA	DATE '04/09/30	TITLE 3.3 W/W INERTIA LOCK CONN REC 2CKT		
	10 OVER 30 UNDER	±0.25	CHECKED BY K.ASAKAWA	DATE '04/09/30	MOLEX INCORPORATED		
	30 OVER	±0.3	APPROVED BY S.ICHIKAWA	DATE '04/09/30	DOCUMENT NO. SD-501328-001		
ANGULAR ±3 °		DRAFT WHERE APPLICABLE MUST REMAIN WITHIN DIMENSIONS		MATERIAL NO. SEE CHART		SHEET NO. 1 OF 1	
THIS DRAWING CONTAINS INFORMATION THAT IS PROPRIETARY TO MOLEX INCORPORATED AND SHOULD NOT BE USED WITHOUT WRITTEN PERMISSION							