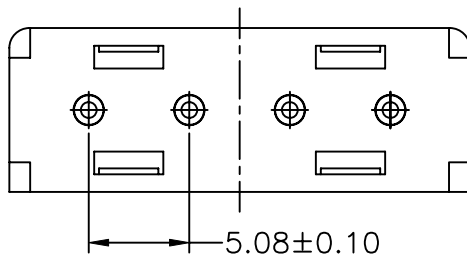
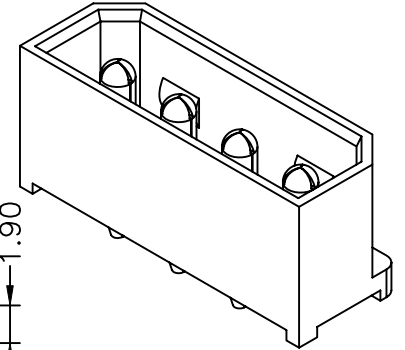
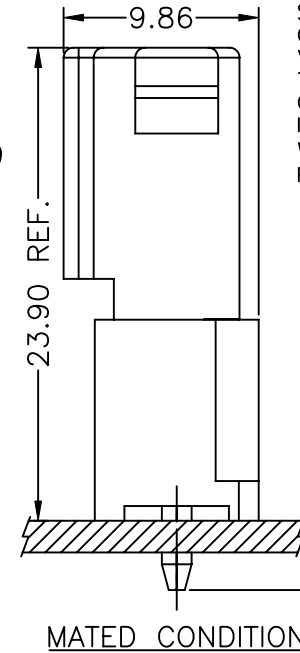
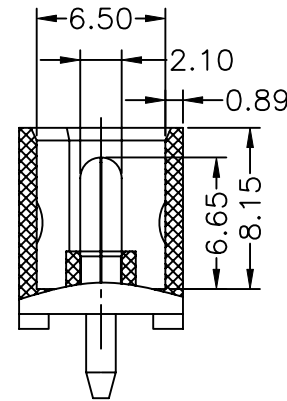
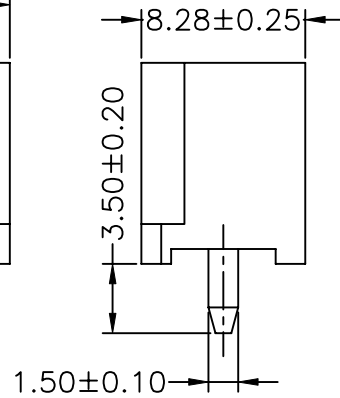
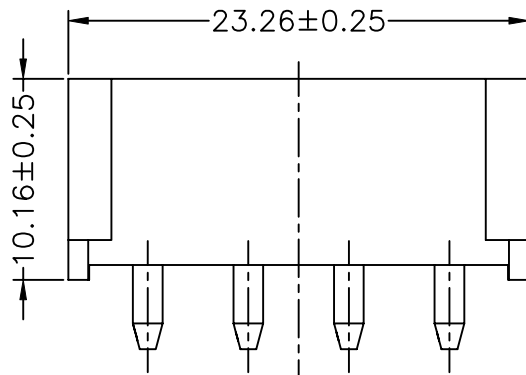


P/N LEGEND

C5080	WV-04P	N	X	X	T1	N	00	B
①	②	③	④	⑤	⑥	⑦	⑧	⑨
① Series No.								
② Connector type: WV=Vertical								
③ No. of circuits								
④ N=Halogen Free								
⑤ Material: 2=Nylon66-V2; 0=Nylon66-V0								
⑥ Color: B=Black N=Natural W=White								
⑦ Plating code for contacts: T1=Tin-plated								
⑧ Plating code: N=Non-plating								
⑨ Option code: 00=Standard								
⑩ Packing code: B=Tray								

SPECIFICATIONS

Current Rating: 10A AC,DC
 Voltage Rating: 250V AC,DC
 Temperature Range: -25°C ~ +85°C
 Contact Resistance: 10mΩ Max
 Insulation Resistance: 1000MΩ Min
 Withstanding Voltage: 1500V AC/minute
 Pin Material: Brass/Tin-plated



				燦達電子工業股份有限公司 JOINT TECH ELECTRONIC IND. CO., LTD.			
UNIT		SCALE		SHEET		TITLE:	
mm		1 : 1		1 of 1		5.08mm PITCH 180° WAFER	
DRAWN BY		APPROVED BY					
黃模有		陳彥兆					
2014.08.13		2014.08.13				DRAW NO. : C5080WV-04PNXXXXXXXXX	
GENERAL TOLERANCE				ANGLE±			
A1	EN1703140004	2016.03.14	賴永強	X.X±0.25			
A0	NEW RELEASE	2014.08.13	黃模有	X.XX±0.15			
REV.	DESCRIPTION	DATE	NAME	X.XXX±0.05			

A

B

C

D

A

B

C

D

1|

2|

3|

4|

1|

2|

3|

4|