

**PLEASE CHECK WWW.MOLEX.COM FOR LATEST PART INFORMATION**

**Part Number:** [0444720502](#)  
**Status:** **Active**  
**Description:** 4.20mm (.165") Pitch Mini-Fit HCS™ Header, Single Row, Vertical, with Snap-in Plastic Peg PCB Lock, 5 Circuits, PA Polyamide Nylon 6/6 94V-0, with Drain Holes

**Documents:**

[3D Model](#) [Product Specification PS-44476-001 \(PDF\)](#)  
[Drawing \(PDF\)](#) [RoHS Certificate of Compliance \(PDF\)](#)  
[Packaging Specification \(PDF\)](#)

**Agency Certification**

CSA LR19980  
 UL E29179

**General**

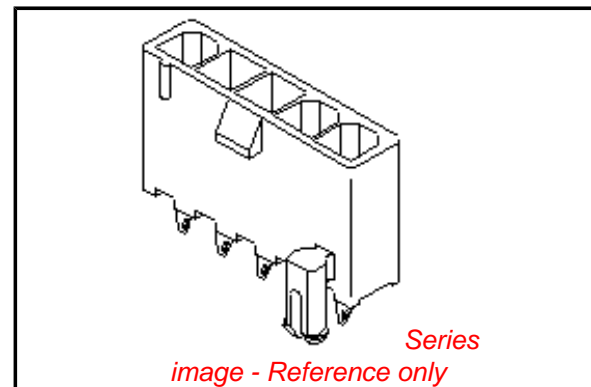
Product Family PCB Headers  
 Series [44472](#)  
 Application Wire-to-Board  
 Comments Square Pin|Solder Type  
 Product Name Mini-Fit HCS™

**Physical**

Breakaway No  
 Circuits (Loaded) 5  
 Circuits (maximum) 5  
 Color - Resin Natural (White)  
 Durability (mating cycles max) 30  
 Flammability 94V-0  
 Glow-Wire Compliant No  
 Material - Metal High Performance Alloy (HPA)  
 Material - Plating Mating Tin  
 Material - Plating Termination Tin  
 Material - Resin Nylon  
 Number of Rows 1  
 Orientation Vertical  
 PCB Locator Yes  
 PCB Retention Yes  
 PCB Thickness Recommended (in) 0.070 In  
 PCB Thickness Recommended (mm) 1.80 mm  
 Packaging Type Tray  
 Pitch - Mating Interface (in) 0.165 In  
 Pitch - Mating Interface (mm) 4.20 mm  
 Plating min: Mating (µin) 101.6  
 Plating min: Mating (µm) 2.54  
 Plating min: Termination (µin) 101.6  
 Plating min: Termination (µm) 2.54  
 Polarized to PCB Yes  
 Shrouded Partial  
 Stackable No  
 Surface Mount Compatible (SMC) No  
 Temperature Range - Operating -40°C to +105°C  
 Termination Interface: Style Through Hole

**Electrical**

Current - Maximum per Contact 11A  
 Voltage - Maximum 600V



**EU RoHS**

**ELV and RoHS  
Compliant**  
**REACH SVHC**  
 Not Reviewed  
**Halogen-Free  
Status**

**China RoHS**



**Need more information on product  
environmental compliance?**

Email [productcompliance@molex.com](mailto:productcompliance@molex.com)  
 For a multiple part number RoHS Certificate of Compliance, [click here](#)

Please visit the [Contact Us](#) section for any non-product compliance questions.

**Search Parts in this Series**

[44472Series](#)

**Mates With**

[5557](#)

**Solder Process Data**

Duration at Max. Process Temperature (seconds)	5
Lead-free Process Capability	Wave Capable (TH only)
Max. Cycles at Max. Process Temperature	1
Process Temperature max. C	240

**Material Info****Reference - Drawing Numbers**

Product Specification	PS-44476-001, RPS-44476-001
Sales Drawing	SDA-44472-****

This document was generated on 04/09/2010

**PLEASE CHECK [WWW.MOLEX.COM](http://WWW.MOLEX.COM) FOR LATEST PART INFORMATION**

CKT SIZE	DIM A	DIM B
4	.709 (18.00)	.496 (12.60)
5	.874 (22.20)	.661 (16.80)
6	1.039 (26.40)	.827 (21.00)
7	1.205 (30.60)	.992 (25.20)
8	1.370 (34.80)	1.157 (29.40)
9	1.535 (39.00)	1.323 (33.60)
10	1.701 (43.20)	1.488 (37.80)
11	1.866 (47.40)	1.654 (42.00)
12	2.031 (51.60)	1.819 (46.20)



- NOTES:
- MATERIALS:  
HOUSING:  
\*1\*=NYLON 6/6, UL94 V-2, COLOR: NATURAL  
\*2\*=NYLON 6/6, UL94 V-0, COLOR: NATURAL  
\*3\*=NYLON 6/6, UL94 V-2, COLOR: BLACK  
TERMINALS:  
COPPER ALLOY
  - TERMINAL PLATING:  
\*1\*=.000100/(0.00254) MIN. BRIGHT TIN OVER  
.000050/(0.00127) MIN. NICKEL  
\*2\*=.000030/(0.00076) MIN. SELECT GOLD AND  
.000100/(0.00254) MIN. SELECT MATTE TIN  
OVER .000050/(0.00127) MIN. NICKEL OVERALL  
\*3\*=.000100/(0.00254) MIN. MATTE TIN OVER  
.000050/(0.00127) MIN. NICKEL  
\*THE PRIMARY SHIPPING CARTON WILL BE LABELED  
"ELV AND RoHS COMPLIANT"; CARTONS WITHOUT THIS  
LABEL MAY CONTAIN PRODUCT WITH TIN-LEAD PLATING.
  - PRODUCT SPECIFICATION: PS-44476-001
  - PACKAGING: SEE CHARTS
  - PART MATES WITH MINI-FIT JR. RECEPTACLE NO. 5557.
  - PART IS NOT DESIGNED FOR CURRENT SHARING.
  - PARTS ARE NOT TO BE MATED OR UN-MATED WHILE  
CIRCUITS ARE LIVE.
  - 44472-2470 ONLY FOR WIDER LOCKING RAMP.
  - PARTS PRODUCED AFTER JULY 1, 2004 WILL HAVE "HCS"  
MARKING INSTEAD OF BLACK STRIPE.
  - SEE CHART FOR PARTS WITH PEGS REMOVED.
  - PART CONFORMS TO CLASS 'B' REQUIREMENTS OF  
COSMETIC SPECIFICATION PS-45499-002.



10	L
9	L
8	L
7	L
6	L
5	L
4	L
3	L
2	L
1	L
	SHT REV

LEGEND:  
 44472 - \*\* \*\*  
 CIRCUIT SIZE  
 (04-12 FOR SINGLE ROW)  
 (02-24 FOR DUAL ROW)  
 ASSEMBLY VERSION  
 (01 THRU 49 FOR SINGLE ROW)  
 (50 THRU 99 FOR DUAL ROW)

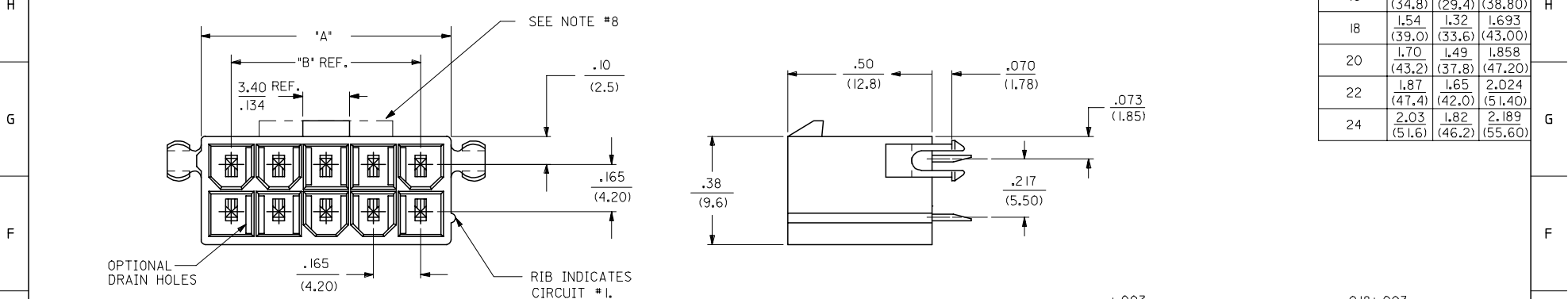
SEE SHT. 2 FOR DUAL ROW  
 \* THE CHART FOR SINGLE ROW PRODUCT IS ON PAGE 7

STANDARDIZE NOTES EC NO: UCP2008-0153 2007/09/26 DRW:LSCHMIDT 2007/09/26 CHKD:ADERR 2007/09/26 APPR:FSM TH 2007/09/26	QUALITY SYMBOLS =0 =0	GENERAL TOLERANCES (UNLESS SPECIFIED)	DIMENSION STYLE IN/MM		SCALE 4:1	DESIGN UNITS METRIC	THIRD ANGLE PROJECTION
		4 PLACES ± --- ± --- 3 PLACES ± --- ± .015 2 PLACES ± 0.38 ± .020 1 PLACE ± 0.50 ± --- ANGULAR ±1/2°	DRAWN BY GEP	DATE 1994/07/25	TITLE MINI-FIT VERT HDR ASSY W & W/O PEGS/DRAIN HOLES SINGLE AND DUAL ROW		
MATERIAL NO.	DOCUMENT NO.	DRAFT WHERE APPLICABLE MUST REMAIN WITHIN DIMENSIONS		SEE CHARTS	MOLEX INCORPORATED		SHEET NO. 1 OF 10
		THIS DRAWING CONTAINS INFORMATION THAT IS PROPRIETARY TO MOLEX INCORPORATED AND SHOULD NOT BE USED WITHOUT WRITTEN PERMISSION					

13 12 11 10 9 8 7 6 5 4 3 2 1



CIRCUIT SIZE	DIM. 'A'	DIM. 'B'	DIM. 'C'
2	.21 (5.4)	—	.370 (9.40)
4	.38 (9.6)	.17 (4.2)	.535 (13.60)
6	.54 (13.8)	.33 (8.4)	.701 (17.80)
8	.71 (18.0)	.50 (12.6)	.866 (22.00)
10	.87 (22.2)	.66 (16.8)	1.031 (26.20)
12	1.04 (26.4)	.83 (21.0)	1.197 (30.40)
14	1.20 (30.6)	.99 (25.2)	1.362 (34.60)
16	1.37 (34.8)	1.16 (29.4)	1.528 (38.80)
18	1.54 (39.0)	1.32 (33.6)	1.693 (43.00)
20	1.70 (43.2)	1.49 (37.8)	1.858 (47.20)
22	1.87 (47.4)	1.65 (42.0)	2.024 (51.40)
24	2.03 (51.6)	1.82 (46.2)	2.189 (55.60)



RECOMMENDED HOLE LAYOUT FOR .070/(1.78) MAX. THICK P. C. BOARD  
VIEWED FROM COMPONENT SIDE

SEE SHT. I FOR SINGLE ROW

<b>STANDARDIZE NOTES</b> EC NO: UCP2008-0153 DRAWN: LSCHM IDT CHKD: ADERR APPR: FSM TH	<b>QUALITY SYMBOLS</b> 	<b>GENERAL TOLERANCES (UNLESS SPECIFIED)</b>		<b>DIMENSION STYLE</b> IN/MM		<b>SCALE</b> 4:1	<b>DESIGN UNITS</b> METRIC	<b>THIRD ANGLE PROJECTION</b>	
		mm	INCH	DRAWN BY	DATE	<b>TITLE</b> MINI-FIT VERT HDR ASSY W & W/O PEGS/DRAIN HOLES SINGLE AND DUAL ROW			
		4 PLACES ± ---	± ---	GEP	1994/07/26	<b>MOLEX INCORPORATED</b>			
		3 PLACES ± ---	± .015	CHECKED BY	DATE	<b>DOCUMENT NO.</b> SDA-44472-****			
2 PLACES ± 0.38	± .020	RJF	1994/07/26	<b>MATERIAL NO.</b> SEE CHARTS		<b>SHEET NO.</b> 2 OF 10			
1 PLACE ± 0.50	± ---	APPROVED BY	DATE	<b>THIS DRAFTING CONTAINS INFORMATION THAT IS PROPRIETARY TO MOLEX INCORPORATED AND SHOULD NOT BE USED WITHOUT WRITTEN PERMISSION</b>					
ANGULAR ±1/2°		RJF	1994/07/26						
<b>DRAFT WHERE APPLICABLE MUST REMAIN WITHIN DIMENSIONS</b>									

12 11 10 9 8 7 6 5 4 3 2 1

13 12 11 10 9 8 7 6 5 4 3 2 1

J	PLATING:	1 (SEE NOTE 2)				PLATING:	1 (SEE NOTE 2)				PLATING:	1 (SEE NOTE 2)			
	DRAINS:	WITH DRAIN HOLES				DRAINS:	WITH DRAIN HOLES				DRAINS:	WITHOUT DRAIN HOLES			
	PEGS:	WITH PEGS				PEGS:	WITH PEGS				PEGS:	WITH PEGS			
	MAT'L:	94V-2 [NATURAL]				MAT'L:	94V-0 [NATURAL]				MAT'L:	94V-0 [NATURAL]			
	PACKAGING:	PK-5566-002				PACKAGING:	PK-5566-002				PACKAGING:	PK-5566-002			
I	ITEM NO.		CKTS		ITEM NO.		CKTS		ITEM NO.		CKTS		ITEM NO.		CKTS
	X	44472-0401	4	X	44472-0402	4	X	44472-0403	4	X	44472-0404	4	X	44472-0404	4
	X	44472-0501	5	X	44472-0502	5	X	44472-0503	5	X	44472-0504	5	X	44472-0504	5
	X	44472-0601	6	X	44472-0602	6	X	44472-0603	6	X	44472-0604	6	X	44472-0604	6
	X	44472-0701	7	X	44472-0702	7	X	44472-0703	7	X	44472-0704	7	X	44472-0704	7
	X	44472-0801	8	X	44472-0802	8	X	44472-0803	8	X	44472-0804	8	X	44472-0804	8
	X	44472-0901	9	X	44472-0902	9	X	44472-0903	9	X	44472-0904	9	X	44472-0904	9
	X	44472-1001	10	X	44472-1002	10	X	44472-1003	10	X	44472-1004	10	X	44472-1004	10
	X	44472-1101	11	X	44472-1102	11	X	44472-1103	11	X	44472-1104	11	X	44472-1104	11
	X	44472-1201	12	X	44472-1202	12	X	44472-1203	12	X	44472-1204	12	X	44472-1204	12

G	PLATING:	2 (SEE NOTE 2)				PLATING:	2 (SEE NOTE 2)				PLATING:	2 (SEE NOTE 2)			
	DRAINS:	WITH DRAIN HOLES				DRAINS:	WITH DRAIN HOLES				DRAINS:	WITH DRAIN HOLES			
	PEGS:	WITHOUT PEGS				PEGS:	WITHOUT PEGS				PEGS:	WITH PEGS			
	MAT'L:	94V-2 [NATURAL]				MAT'L:	94V-0 [NATURAL]				MAT'L:	94V-0 [NATURAL]			
	PACKAGING:	PK-5566-002				PACKAGING:	PK-5566-002				PACKAGING:	PK-5566-002			
F	ITEM NO.		CKTS		ITEM NO.		CKTS		ITEM NO.		CKTS		ITEM NO.		CKTS
	X	44472-0405	4	X	44472-0406	4	X	44472-0407	4	X	44472-0408	4	X	44472-0408	4
	X	44472-0505	5	X	44472-0506	5	X	44472-0507	5	X	44472-0508	5	X	44472-0508	5
	X	44472-0605	6	X	44472-0606	6	X	44472-0607	6	X	44472-0608	6	X	44472-0608	6
	X	44472-0705	7	X	44472-0706	7	X	44472-0707	7	X	44472-0708	7	X	44472-0708	7
	X	44472-0805	8	X	44472-0806	8	X	44472-0807	8	X	44472-0808	8	X	44472-0808	8
	X	44472-0905	9	X	44472-0906	9	X	44472-0907	9	X	44472-0908	9	X	44472-0908	9
	X	44472-1005	10	X	44472-1006	10	X	44472-1007	10	X	44472-1008	10	X	44472-1008	10
	X	44472-1105	11	X	44472-1106	11	X	44472-1107	11	X	44472-1108	11	X	44472-1108	11
	X	44472-1205	12	X	44472-1206	12	X	44472-1207	12	X	44472-1208	12	X	44472-1208	12

E  
D  
C

A	B	C	D	E	F	G	H	I	J	TRAY PACKAGING EC NO: UCP2008-0153 DRW:LSCHH1 DT 2007/09/26 CHKD:ADERR 2007/09/26 APPR:FSM TH 2007/09/26 REV DESCRIPTION	QUALITY SYMBOLS 	GENERAL TOLERANCES (UNLESS SPECIFIED) <table border="1"> <tr> <th></th> <th>mm</th> <th>INCH</th> </tr> <tr> <td>4 PLACES</td> <td>± .005</td> <td>± .0004</td> </tr> <tr> <td>3 PLACES</td> <td>± .005</td> <td>± .0004</td> </tr> <tr> <td>2 PLACES</td> <td>± .005</td> <td>± .0004</td> </tr> <tr> <td>1 PLACE</td> <td>± .005</td> <td>± .0004</td> </tr> </table>		mm	INCH	4 PLACES	± .005	± .0004	3 PLACES	± .005	± .0004	2 PLACES	± .005	± .0004	1 PLACE	± .005	± .0004	DIMENSION STYLE IN/MM DRAWN BY DATE LEM 1999/02/26 CHECKED BY DATE MAB 1999/02/26 APPROVED BY DATE RRE 1999/02/26 MATERIAL NO.	SCALE --- DESIGN UNITS INCH THIRD ANGLE PROJECTION	TITLE MINI-FIT VERT HDR ASSY W & W/O PEGS/DRAIN HOLES SINGLE AND DUAL ROW MOLEX INCORPORATED DOCUMENT NO.	SHEET NO. 7 OF 10
												mm	INCH																		
											4 PLACES	± .005	± .0004																		
											3 PLACES	± .005	± .0004																		
											2 PLACES	± .005	± .0004																		
1 PLACE	± .005	± .0004																													
DRAFT WHERE APPLICABLE MUST REMAIN WITHIN DIMENSIONS	SEE CHART	SDA-44472-****	THIS DRAWING CONTAINS INFORMATION THAT IS PROPRIETARY TO MOLEX INCORPORATED AND SHOULD NOT BE USED WITHOUT WRITTEN PERMISSION																												