

**PLEASE CHECK WWW.MOLEX.COM FOR LATEST PART INFORMATION**

**Part Number:** [0513821100](#)  
**Status:** **Active**  
**Overview:** microclasp  
**Description:** 2.00mm (.079") Pitch MicroClasp™ Wire-to-Board Receptacle Housing, Positive Lock, Single Row, 11 circuits

**Documents:**

[3D Model](#) [Product Specification PS-51382-004 \(PDF\)](#)  
[Drawing \(PDF\)](#) [RoHS Certificate of Compliance \(PDF\)](#)

**General**

|                |                            |
|----------------|----------------------------|
| Product Family | Crimp Housings             |
| Series         | <a href="#">51382</a>      |
| Overview       | <a href="#">microclasp</a> |
| Product Name   | MicroClasp™                |

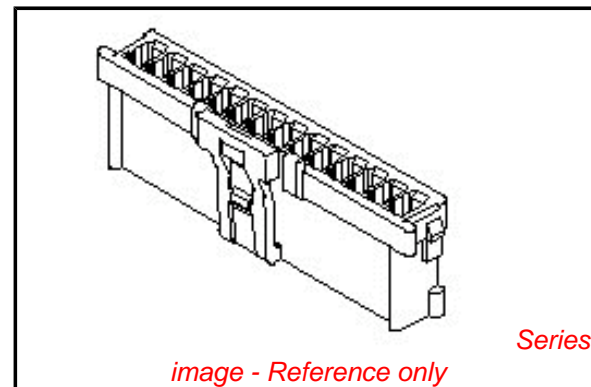
**Physical**

|                               |                |
|-------------------------------|----------------|
| Circuits (maximum)            | 11             |
| Color - Resin                 | White          |
| Gender                        | Female         |
| Glow-Wire Compliant           | No             |
| Lock to Mating Part           | Yes            |
| Material - Resin              | Nylon          |
| Number of Rows                | 1              |
| Packaging Type                | Bag            |
| Panel Mount                   | No             |
| Pitch - Mating Interface (in) | 0.079 In       |
| Pitch - Mating Interface (mm) | 2.00 mm        |
| Stackable                     | No             |
| Temperature Range - Operating | -25°C to +85°C |

**Material Info**

**Reference - Drawing Numbers**

|                         |   |
|-------------------------|---|
| Packaging Specification | SPK-51382-001   |
| Product Specification   | PS-51382-004, RPS-51382-006, RPS-51382-007,<br>RPS-51382-008, RPS-51382-009, RPS-51382-010,<br>RPS-51382-011, RPS-51382-012, RPS-51382-013,<br>RPS-51382-014, RPS-51382-015 |
| Sales Drawing           | SD-51382-002  |



**EU RoHS**

**ELV and RoHS  
Compliant**  
**REACH SVHC  
Contains SVHC: No**  
**Halogen-Free  
Status  
Not Reviewed**

**China RoHS**



**Need more information on product  
environmental compliance?**

Email [productcompliance@molex.com](mailto:productcompliance@molex.com)  
 For a multiple part number RoHS Certificate of  
 Compliance, [click here](#)

Please visit the [Contact Us](#) section for any  
 non-product compliance questions.

**Search Parts in this Series**

[51382Series](#)

**Mates With**

[55932](#) Vertical Header, [55935](#) Right Angle  
 Header

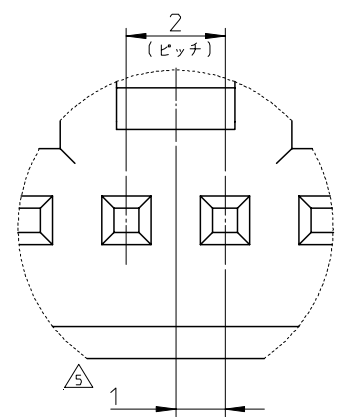
**Use With**

[56134](#)

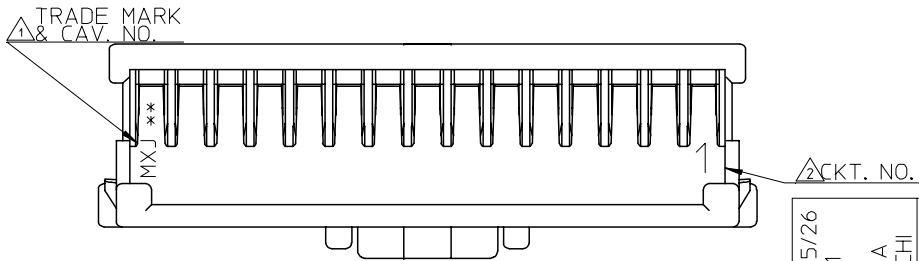
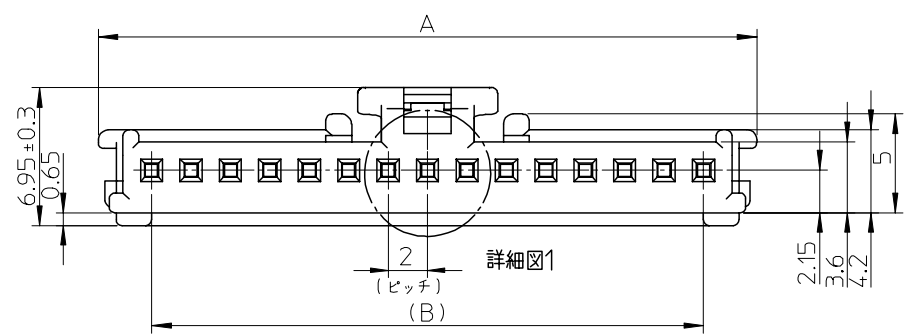
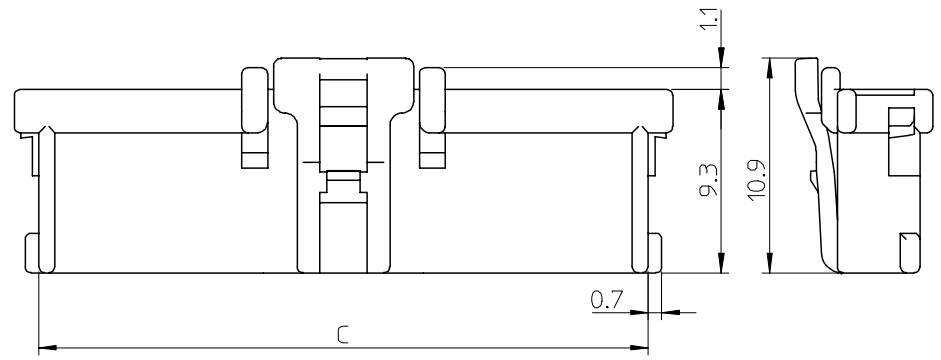
NOTES  
 文字の大きさは0.7にて鮮明な事。  
 △1 SIZE OF LETTERS 0.7 AND CLEAR.  
 文字の大きさは1にて鮮明な事。  
 △2 SIZE OF LETTERS 1 AND CLEAR  
 3. 適合ターミナル: 59370, 56134 シリーズ  
 APPLICABLE TERM.: 59370, 56134 SERIES.  
 4. 嵌合相手: 55932, 55935 シリーズ  
 MATE WITH: 55932, 55935 SERIES.  
 偶数極に適用。  
 △5 APPLY EVEN CIRCUIT  
 6. 材料 66NYLON  
 7. 製品番号  
 MATERIAL NO.  
 51382-\*\*\*\*

|      |       |                         |    |
|------|-------|-------------------------|----|
| 極数   | 色     | 自然色 (白) NATURAL (WHITE) | 00 |
| CTKT | COLOR | 黒 BLACK                 | 01 |
|      |       | 赤 RED                   | 02 |
|      |       | 黄 YELLOW                | 03 |
|      |       | 青 BLUE                  | 04 |
|      |       | 桃 PINK                  | 05 |
|      |       | 緑 GREEN                 | 06 |
|      |       | 茶 BROWN                 | 07 |
|      |       | 橙 ORANGE                | 08 |
|      |       | 紫 VIOLET                | 09 |
|      |       | 灰 GRAY                  | 11 |
|      |       | 蛍光黄 FLUORESCENCE YELLOW | 13 |
|      |       | 水 PALE BLUE             | 14 |
|      |       | 黄緑 YELLOWISH GREEN      | 16 |

|      |    |      |              |     |
|------|----|------|--------------|-----|
| 30.9 | 28 | 33.4 | 51382-15**   | 15  |
| 28.9 | 26 | 31.4 | 51382-14**   | 14  |
| 26.9 | 24 | 29.4 | 51382-13**   | 13  |
| 24.9 | 22 | 27.4 | 51382-12**   | 12  |
| 22.9 | 20 | 25.4 | 51382-11**   | 11  |
| 20.9 | 18 | 23.4 | 51382-10**   | 10  |
| 18.9 | 16 | 21.4 | 51382-09**   | 9   |
| 16.9 | 14 | 19.4 | 51382-08**   | 8   |
| 14.9 | 12 | 17.4 | 51382-07**   | 7   |
| 12.9 | 10 | 15.4 | 51382-06**   | 6   |
| 10.9 | 8  | 13.4 | 51382-05**   | 5   |
| 8.9  | 6  | 11.4 | 51382-04**   | 4   |
| 6.9  | 4  | 9.4  | 51382-03**   | 3   |
| 4.9  | 2  | 7.4  | 51382-02**   | 2   |
| C    | B  | A    | MATERIAL NO. | CKT |



詳細図1  
Scale 10:1



|  |   |                         |                            |  |                                |                              |                     |
|--|---|-------------------------|----------------------------|--|--------------------------------|------------------------------|---------------------|
| REVISED '03/05/26<br>EC NO: J2003-2951<br>DRAWN: NITO<br>CHKD: KASAKAWA<br>APPR: T.YAMAGUCHI | GENERAL TOLERANCES (UNLESS SPECIFIED)<br>一般公差 |                         | SCALE<br>4:1               | DESIGN UNITS<br>METRIC   | THIRD ANGLE PROJECTION         | REVISE ON CAD ONLY           |                     |
|  | 10 UNDER 未滿 ±0.2                              | 30 UNDER 未滿 ±0.3        | DIMENSION STYLE<br>MM ONLY |  | TITLE<br>2.0 W/B CONN. HOUSING |                              |                     |
|  | 10 OVER 以上 ±0.2                               | 30 OVER 以上 ±0.3         | DRAWN BY<br>T.NIITSU       | DATE<br>'02/3/19   | MOLEX MOLEX INCORPORATED       |                              |                     |
|  | ANGULAR 角度 ± 3°                               |                         | CHECKED BY<br>T.ITO        | DATE<br>'02/10/22  | MATERIAL NO.<br>51382-****     | DOCUMENT NO.<br>SD-51382-002 | SHEET NO.<br>1 OF 2 |
| DRAFT WHERE APPLICABLE<br>MUST REMAIN<br>WITHIN DIMENSIONS                                   |   | APPROVED BY<br>T.YAMAGU | DATE<br>'02/10/22          | THIS DRAWING CONTAINS INFORMATION THAT IS PROPRIETARY TO MOLEX<br>INCORPORATED AND SHOULD NOT BE USED WITHOUT WRITTEN PERMISSION |                                |                              |                     |

10

9

8

7

6

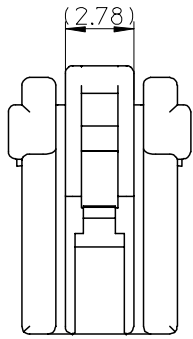
5

4

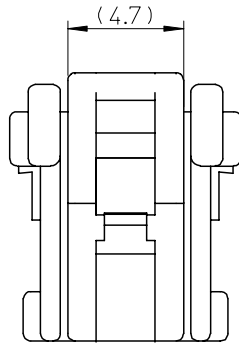
3

2

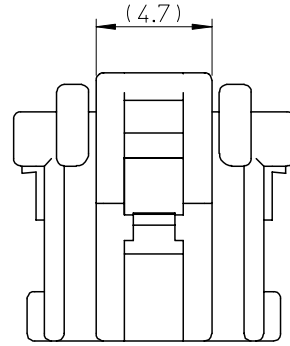
1



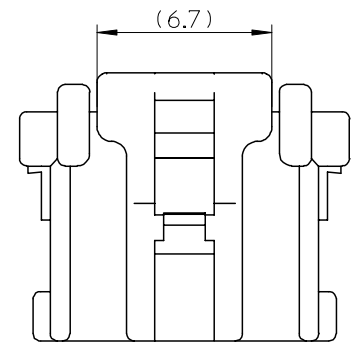
2極品



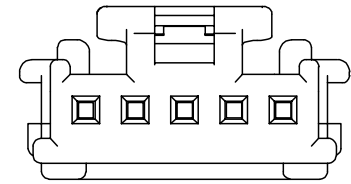
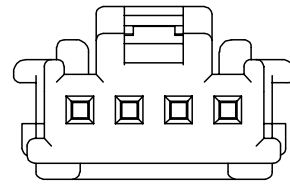
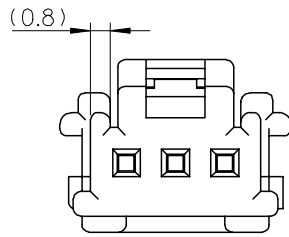
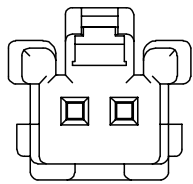
3極品



4極品



5極品以上



F

E

D

C

B

A

F

E

D

C

B

A

|   |  |  |                            |                        |                                |                              |    |
|---|--|--|----------------------------|------------------------|--------------------------------|------------------------------|----|
| REVISED '03/05/26<br>EC NO: J2003-2951<br>DRAWN: NJITO<br>CHKD: K.SAKAWA<br>APPR: T.YAMAGUCHI | GENERAL TOLERANCES<br>(UNLESS SPECIFIED)<br>一般公差 |  | SCALE<br>5:1               | DESIGN UNITS<br>METRIC | THIRD ANGLE<br>PROJECTION      | REVISE ON CAD ONLY           |    |
|   | 10 UNDER<br>未満                                   | ±0.2   | DIMENSION STYLE<br>MM ONLY |                        | TITLE<br>2.0 W/B CONN. HOUSING |                              |    |
|   | 10 OVER<br>以上                                    | 30 UNDER<br>未満   | ±0.3                       | DRAWN BY<br>T.NIITSU   | DATE<br>'02/3/19               | MOLEX INCORPORATED           |    |
|   | 30 OVER<br>以上                                    | ±0.3   | CHECKED BY<br>T.ITO        | DATE<br>'02/10/22      |                                |                              |    |
| ANGULAR 角度 ± 3 °  |  | APPROVED BY<br>T.YAMAGU  |                            | DATE<br>'02/10/22      | MATERIAL NO.<br>51382-****     | DOCUMENT NO.<br>SD-51382-002 |    |
| DRAFT WHERE APPLICABLE<br>MUST REMAIN<br>WITHIN DIMENSIONS                                    |  | THIS DRAWING CONTAINS INFORMATION THAT IS PROPRIETARY TO MOLEX<br>INCORPORATED AND SHOULD NOT BE USED WITHOUT WRITTEN PERMISSION |                            |                        |                                | SHEET NO.<br>2 OF 2          | A3 |

9

8

7

6

5

4

3

2

EN-02JA(021)