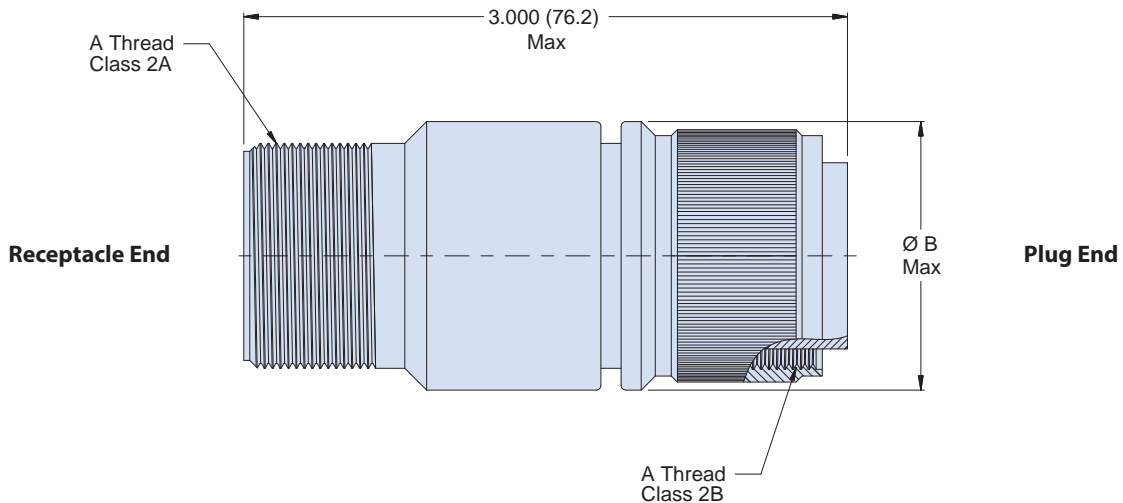


### MIL-DTL-5015 TYPE CONNECTOR ADAPTER

How To Order									
Sample Part Number	240-515	A	ME	36-5	PS	C	A	N	N
Filter Connector	MIL-DTL-5015 Type								
Shell Style	A = Connector Adapter								
Connector Class	See Table II								
Insert Arrangement	IAW MIL-STD-1651. (See pages B-97 – B-99)								
Contact Gender	PS = Pins, Plug Side SP = Sockets, Plug Side								
Filter Type	C = C Circuit (See Note 1)								
Capacitance	See Table II								
Flange Mounting Style	N = Not Applicable								
Alternate Insert Position	Per MIL-STD-1651. W, X, Y, Z, N = Normal (See pages B-97 – B-99)								



#### Notes

- Other filter styles (Pi, C-L, L-C, Unbalanced Pi, Multi-Stage, Multi-Value) are available, please consult the factory.
- Please consult the factory for Pin/Pin and/or Socket/Socket contact arrangements.

Dimensions in inches (millimeters) and are subject to change without notice.

240-515A  
MIL-DTL-5015 Series III Type Filter Connector  
Connector Adapter



MIL-DTL-5015  
Type

B

Table I: Dimensions		
Shell Size	A Thread	Ø B Max
8S	.500-28 UNEF	.844 (21.4)
10SL	.625-24 UNEF	.969 (24.6)
10SL	.625-24 UNEF	.969 (24.6)
12S	.750-20 UNEF	1.062 (27.0)
12	.750-20 UNEF	1.062 (27.0)
14S	.875-20 UNEF	1.156 (29.4)
14	.875-20 UNEF	1.156 (29.4)
16S	1.000-20 UNEF	1.250 (31.8)
16	1.000-20 UNEF	1.250 (31.8)
18	1.125-18 UNEF	1.344 (34.1)
20	1.250-18 UNEF	1.469 (37.3)
22	1.375-18 UNEF	1.594 (40.5)
24	1.500-18 UNEF	1.719 (43.7)
28	1.750-18 UNS	1.969 (50.0)
32	2.000-18 UNS	2.219 (56.4)
36	2.250-16 UN	2.469 (62.7)
40	2.500-16 UN	2.719 (69.1)

Table II: Connector Class		
Sym	Material	Finish Description
ME	Aluminum	Electroless Nickel
NF		Cadmium O.D. Over Electroless Nickel
ZL	Stainless Steel	Electro-Deposited Nickel

Table III: Capacitor Array Code Capacitance Range	
Class	C - Circuit (pF)
X	80,000 - 120,000
Y	40,000 - 60,000
Z	30,000 - 45,000
A	19,000 - 28,000
B	16,000 - 22,500
C	9,000 - 16,500

Dimensions in inches (millimeters) and are subject to change without notice.