

PLEASE CHECK WWW.MOLEX.COM FOR LATEST PART INFORMATION

Part Number: [0352821615](#)
Status: **Active**
Description: 2.28mm (.090") Tab Wire-to-Wire Uniconn Housing, Male, 16 Circuits

Documents:

[Drawing \(PDF\)](#) [RoHS Certificate of Compliance \(PDF\)](#)
[Product Specification PS-35282-001 \(PDF\)](#)

General

Product Family	Crimp Housings
Series	35282
Product Name	Uniconn

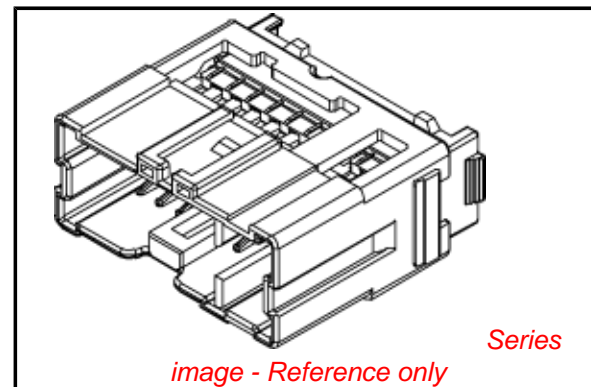
Physical

Circuits (maximum)	16
Color - Resin	Black, Gray
Gender	Male
Glow-Wire Compliant	No
Material - Resin	Polyester
Number of Rows	2
Packaging Type	Bag
Panel Mount	No
Pitch - Mating Interface (in)	0.150 In
Pitch - Mating Interface (mm)	3.80 mm
Temperature Range - Operating	-40°C to +80°C

Material Info

Reference - Drawing Numbers

Product Specification	PS-35282-001
Sales Drawing	SD-35282-161*



EU RoHS

**ELV and RoHS
Compliant**
REACH SVHC
 Not Reviewed
**Halogen-Free
Status**

China RoHS



**Need more information on product
environmental compliance?**

Email productcompliance@molex.com
 For a multiple part number RoHS Certificate of
 Compliance, [click here](#)

Please visit the [Contact Us](#) section for any
 non-product compliance questions.

Search Parts in this Series

[35282Series](#)

Mates With

[35284](#)

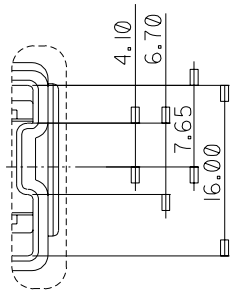
Use With

[35420](#) , [35421](#)

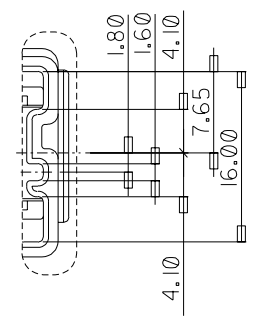
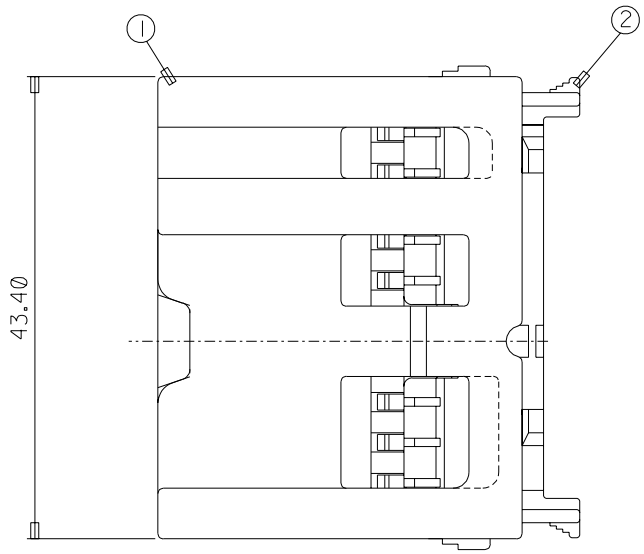
PLEASE CHECK WWW.MOLEX.COM FOR LATEST PART INFORMATION

DO NOT SCALE DRAWING
DIMENSION IN METRIC

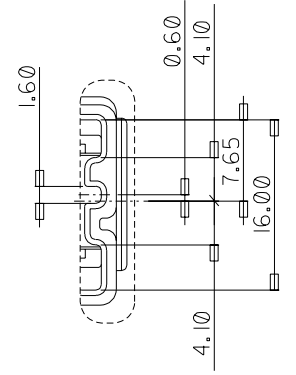
PROJECT NO. SD-35282-1610
SIMILAR ITEM



35282-1610 (NATURAL)

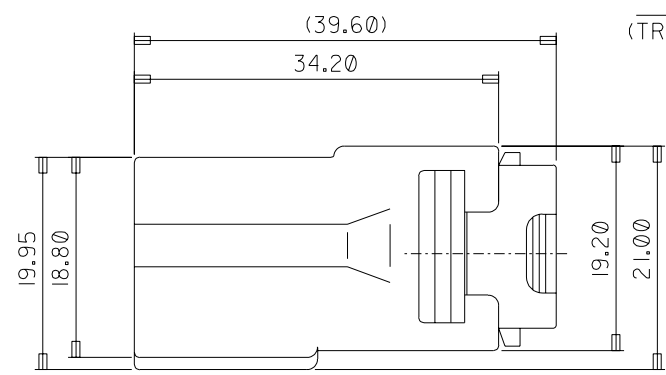
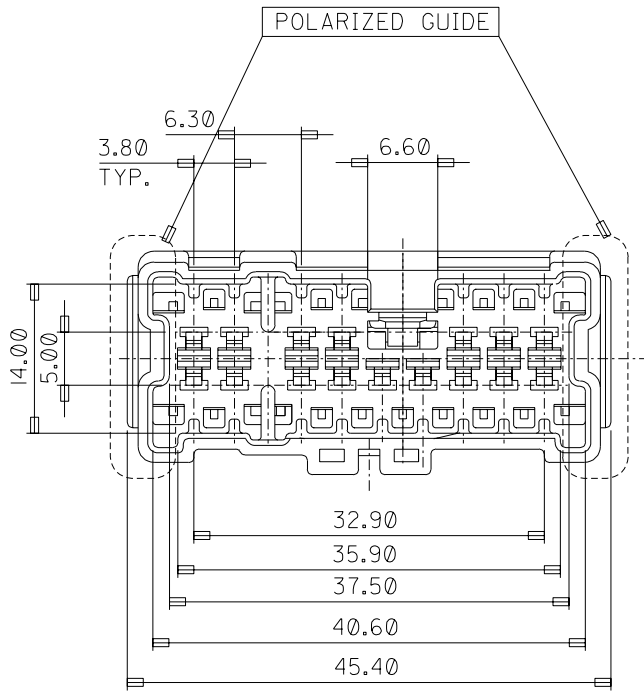


35282-1615 (GRAY)



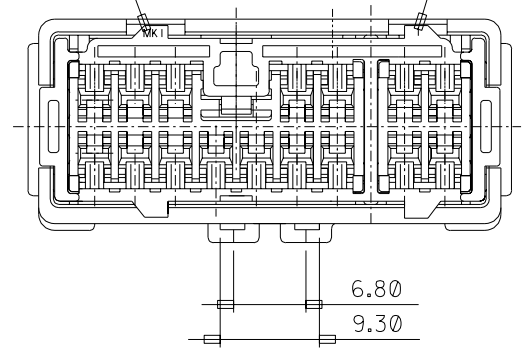
35282-1617 (BROWN)

POLARIZED GUIDE DIM'S



MKI
(TRADE MARK)

CAV.NO.



	PART NO.	PART NAME	MATERIAL
①	35282-169*	UNICONN MALE HOUSING-16P	PBT
②	35283-1681	UNICONN MALE TPA-16P	PBT, BLACK

REVISED	EC NO. KOR2003-0057 DRAWN: S.M.KIM 03/09/30 CHK: B.C.YOON 03/09/30 APPR: G.M.LEE
REV	DESCRIPTION
B	

MAJOR	QUALITY SYMBOLS
CRITICAL	

GENERAL TOLERANCES: (UNLESS SPECIFIED)	
4 PLACES	±0.10 mm ±0.004 INCH
3 PLACES	±0.15 mm ±0.006 INCH
2 PLACES	±0.20 mm ±0.008 INCH
1 PLACE	±0.30 mm ±0.012 INCH
ANGULAR: ±1.0°	

SCALE: 1:1	DESIGN UNITS: <input checked="" type="checkbox"/> mm <input type="checkbox"/> INCH
DRAWN BY & DATE: C.W.Y. YANG, 97/11/17	
CHECKED BY & DATE: B.K. CHOI, 97/11/17	
APPROVED BY & DATE: C.W. LEE, 97/11/17	
CAD FILENAME: SD2821610.DGN	MATERIAL NO. SEE TABLE

DIMENSIONS: <input type="checkbox"/> INCH <input checked="" type="checkbox"/> mm		SHT	REV
THIRD ANGLE PROJECTION			
TITLE: UNICONN MALE ASS'Y-16P			
MOLEX INCORPORATED			
CAD FILENAME: SD2821610.DGN	MATERIAL NO. SEE TABLE	DRAWING NO. SD 35282-1610	SHEET NO. 1/1
DRAFT WHERE APPLICABLE MUST REMAIN WITHIN DIMENSIONS		THIS DRAWING CONTAINS INFORMATION THAT IS PROPRIETARY TO MOLEX INCORPORATED AND SHOULD NOT BE USED WITHOUT WRITTEN PERMISSION.	
		SIZE C	