

PLEASE CHECK WWW.MOLEX.COM FOR LATEST PART INFORMATION

Part Number: [0026011108](#)
Status: **Active**
Description: 3.96mm (.156") Pitch Board-to-Board Receptacle, Bottom Entry, 10 Circuits

Documents:

[3D Model](#) [Product Specification PS-5145-006 \(PDF\)](#)
[Drawing \(PDF\)](#) [RoHS Certificate of Compliance \(PDF\)](#)
[Product Specification PS-5145-003 \(PDF\)](#)

Agency Certification

CSA LR19980
TUV R72090224
UL E29179

General

Product Family PCB Receptacles
Series [5145](#)
Application Board-to-Board
Product Name N/A

Physical

Circuits (Loaded) 10
Durability (mating cycles max) 30
Flammability 94V-2
Glow-Wire Compliant No
Keying to Mating Part Yes
Material - Metal Brass
Material - Plating Mating Tin
Material - Plating Termination Tin
Number of Rows 1
Orientation Bottom Entry
PCB Locator No
PCB Retention None
PCB Thickness Recommended (in) 0.062 In
PCB Thickness Recommended (mm) 1.60 mm
Packaging Type Bag
Pitch - Mating Interface (in) 0.156 In
Pitch - Mating Interface (mm) 3.96 mm
Polarized to PCB Yes
Surface Mount Compatible (SMC) No
Temperature Range - Operating -40°C to +105°C
Termination Interface: Style Through Hole

Electrical

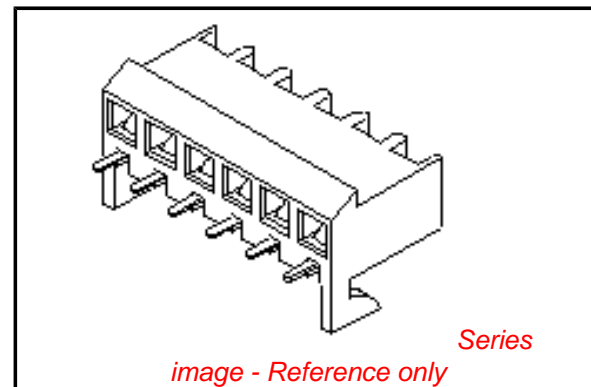
Current - Maximum per Contact 5A
Voltage - Maximum 250V

Material Info

Old Part Number 5145-10BH

Reference - Drawing Numbers

Product Specification PS-5145-003, PS-5145-006
Sales Drawing SD-5145-001, SD-5145-NBH



EU RoHS

**ELV and RoHS
Compliant**
**REACH SVHC
Contains SVHC: No**
**Halogen-Free
Status
Not Reviewed**

China RoHS



**Need more information on product
environmental compliance?**

Email productcompliance@molex.com
For a multiple part number RoHS Certificate of Compliance, [click here](#)

Please visit the [Contact Us](#) section for any non-product compliance questions.

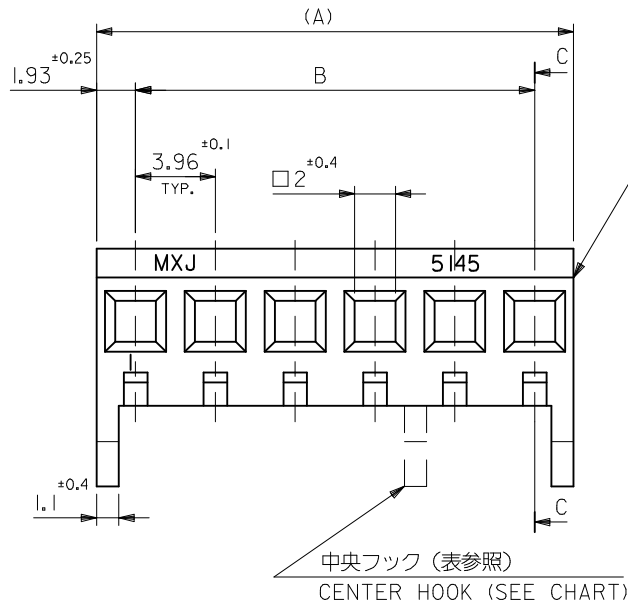
Search Parts in this Series

[5145Series](#)

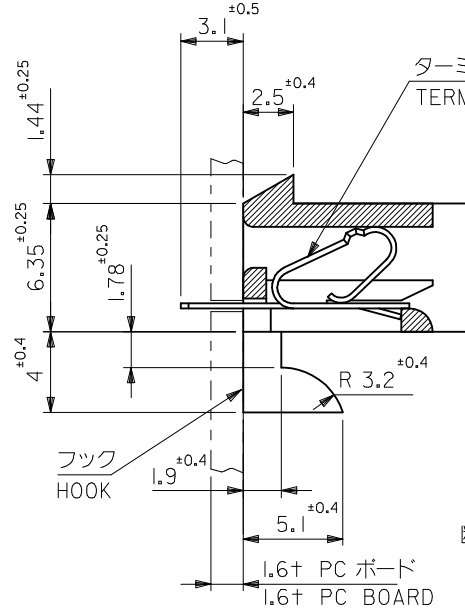
Mates With

[2461](#)

PLEASE CHECK WWW.MOLEX.COM FOR LATEST PART INFORMATION



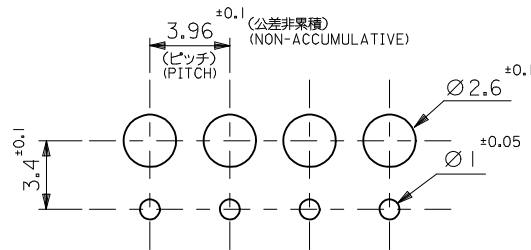
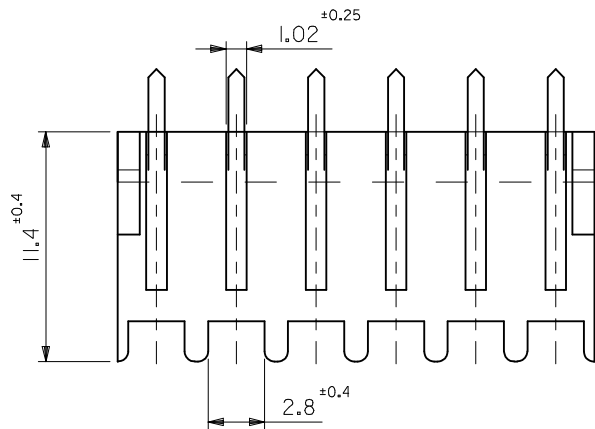
ハウジング (ナイロン66、UL94V-2)
HOUSING (NYLON 66, UL94V-2)



注記
NOTE

1. 端回路リブ付き
RIB STICK TO END CIRCUIT
2. () 内寸法は参考値とする。
() DIMENSION IS FOR REFERENCE

断面 C-C
SECT. C-C



基板取付穴推奨寸法
RECOMMENDED PC BOARD HOLE DIMENSION

4と5の間 BETWEEN 4 AND 5	43.56±0.25	47.42	26-01-1128	5145-12BH	12
5と6の間 BETWEEN 5 AND 6	35.64±0.25	39.50	26-01-1108	5145-10BH	10
4と5の間 BETWEEN 4 AND 5	31.68±0.2	35.54	26-01-1098	5145-09BH	9
4と5の間 BETWEEN 4 AND 5	27.72±0.2	31.58	26-01-1088	5145-08BH	8
—	23.76±0.2	27.62	26-01-1078	5145-07BH	7
—	19.80±0.2	23.66	26-01-1068	5145-06BH	6
—	15.84±0.15	19.70	26-01-1058	5145-05BH	5
—	11.88±0.15	15.74	26-01-1048	5145-04BH	4
—	7.92±0.15	11.78	26-01-1038	5145-03BH	3
—	3.96±0.1	7.82	26-01-1028	5145-02BH	2
中央フック位置 CENTER HOOK	B	(A)	PART NO.	MATERIAL NO.	種数 NO. OF CKTS.

MODEL NO. 5145-NBH

材料ハウジング:ナイロン66、UL94V-2
MATERIAL HOUSING:NYLON 66, UL94V-2
ターミナル:黄銅、銅下付錫メッキ、0.254 t
TERMINAL:BRASS, TIN OVER COPPER PLATE
0.254 t

REVISED EC NO: J2009-0510 DRWN:NAKAMURAA 2008/12/08 CHKD:T. HARUYAMA 2008/12/08 APPR:NUKITA 2009/01/13 REV J	GENERAL TOLERANCES (UNLESS SPECIFIED)		DIMENSION STYLE MM ONLY	SCALE 4:1	DESIGN UNITS METRIC	THIRD ANGLE PROJECTION
	10 UNDER	± ---	DRAWN BY S. ANDO	DATE '96/5/24	TITLE KK3.96 SOLDER REC HSG ASSY	
	10 OVER 30 UNDER	± ---	CHECKED BY M. FUKUSHIMA	DATE '96/5/24	MOLEX INCORPORATED	
	30 OVER	± ---	APPROVED BY M. ENOMOTO	DATE '96/5/24	DOCUMENT NO. SD-5145-001	SHEET NO. 1 OF 1
ANGULAR ± --- °		DRAFT WHERE APPLICABLE MUST REMAIN WITHIN DIMENSIONS		SEE TABLE THIS DRAWING CONTAINS INFORMATION THAT IS PROPRIETARY TO MOLEX INCORPORATED AND SHOULD NOT BE USED WITHOUT WRITTEN PERMISSION		

NOTE.

DIMENSION SHOWN IN () ARE REFERENCE.

PART No. 26-01-1**8
ENG. No. SD-5145-NB4

F

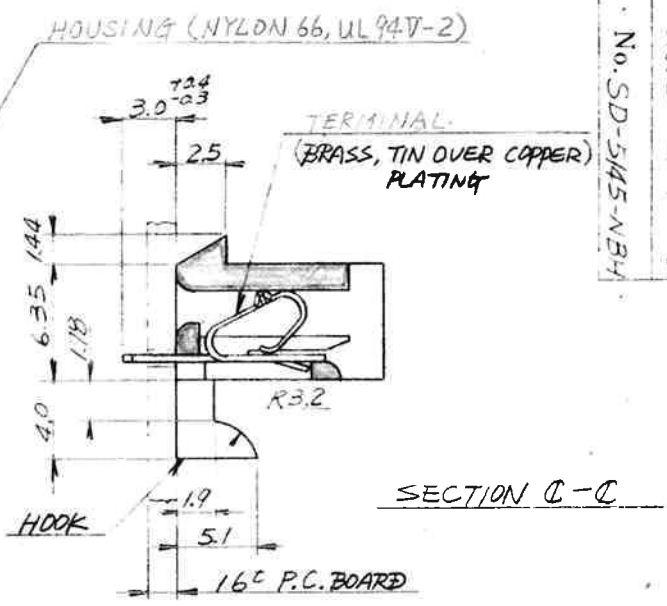
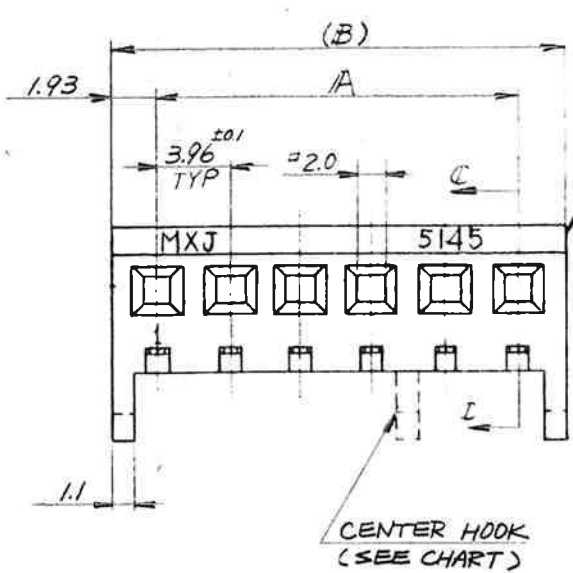
E

D

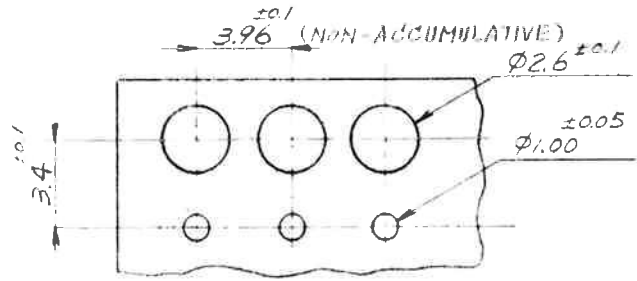
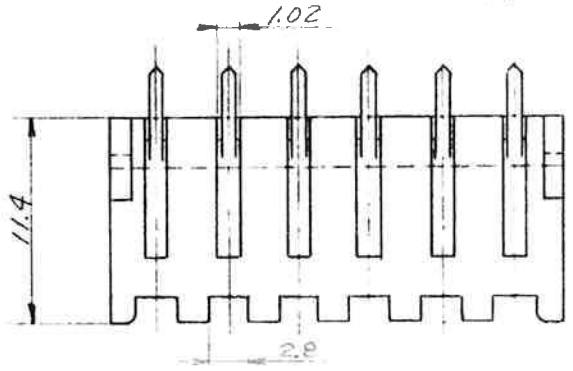
C

B

A



RECOMMENDED P.C. BOARD HOLE DIM.



5145-14BH	26-01-1148	14	51.48 ^{+0.30}	55.4	586, 9&10
5145-07BH	26-01-1078	7	23.76 ^{+0.20}	27.62	"
5145-5BH	NOT TOOLED	5	55.44 ^{+0.30}	59.30	586, 10&11
-12BH	26-01-1128	12	43.56 ^{+0.25}	47.42	485, 8&9
-10BH	1108	10	35.64 ^{+0.25}	39.50	586
-09BH	1098	9	31.63 ^{+0.20}	35.54	485
-08BH	1088	8	27.72 ^{+0.20}	31.58	485
-06BH	1068	6	19.80 ^{+0.20}	23.66	"
-05BH	1058	5	5.84 ^{+0.3}	19.70	"
-04BH	1048	4	11.00 ^{+0.5}	15.74	"
-03BH	1038	3	7.92 ^{+0.15}	11.78	"
5145-02BH	26-01-1028	2	3.96 ^{+0.10}	7.82	"
ENG NO	PART NO	No. OF CKT	A DIM.	(B) DIM.	CENTER HOOK LOCATION

DIMENSION SHOWN METRIC/INCH
指示寸法
UNLESS OTHERWISE SPECIFIED TOLERANCE
指示公差
0.00 ±0.08
.00 ±0.25
0 ±0.40
DO NOT SCALE DRAWING.
図面の実測をなすこと

TITLE KK 3.96 SOLDER REC. HSG. ASSY
MOLEX (JAPAN) CO., LTD.
日本モレックス株式会社
558, FUKAMI, YAMATO, KANAGAWA, JAPAN

DRWG.	DSN'D	CHK'D	APP'D
ADDED = 14" BY ECN NO. 1536			
LTR 記号	REVISIONS 変更内容	DATE	NAME

PART No.	SIZE
26-01-1**8	A
ENG. No.	REV.
SD-5145-NB4	G