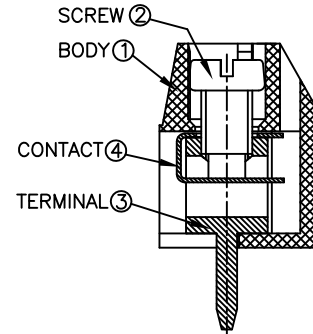
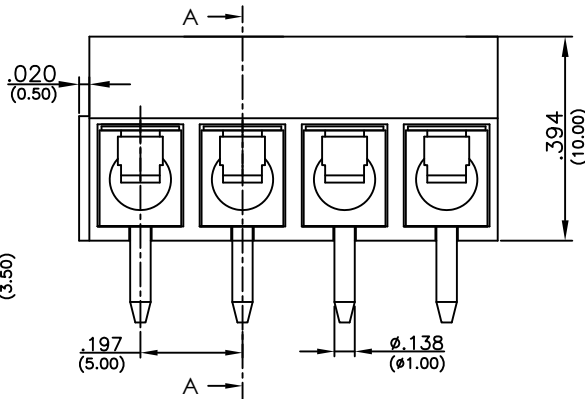
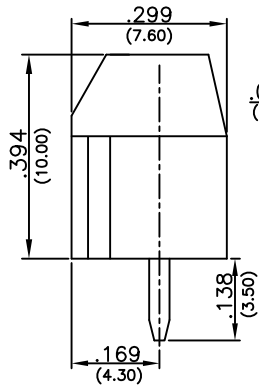
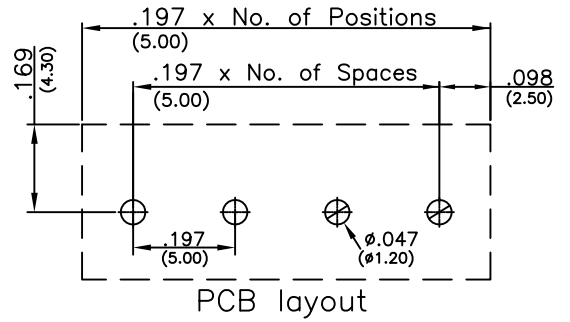
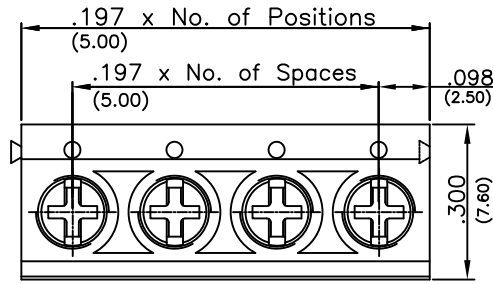


Major League Electronics .197 cl Wire Protector Terminal Blocks



Section A-A

Ordering Information

TBW-00-197-XX-XX-LF

Lead Free

Color

- GR = Green (Standard)
- BK = Black
- BL = Blue
- WH = White
- GY = Grey
- OR = Orange
- YW = Yellow
- RD = Red
- BR = Brown

Pitch
197 = .197 (5.00) cl

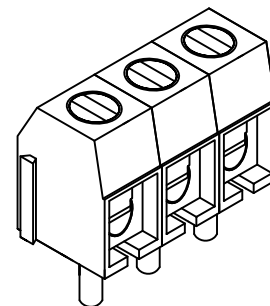
No. of Positions
02 - 24

Specifications

- Current Rating: 15 Ampere
- Voltage Rating: AC 250V
- Wire Range: 14-24 AWG
- Dielectric Withstanding Voltage: AC 2500V/1 minute
- Insulation Resistance: DC 500V 500MΩ
- Operating Temperature: -33°C to + 105°C
- Max Torque: 3.5 lb-in (4.03kgf. cm)
- Strip Length: .197-.236 (5-6mm)

Materials

1. Body: PA66 (Nylon), UL94 V-0
2. Screw: M2.5, C1018 Steel, Blue Zinc Plated
3. Terminal: H65 Brass, Tin Plated
4. Contact: SUS301 Stainless Steel



Parts are subject to change without notice

TBW-00-197-XX-XX-LF

.197cl Wire Protector Terminal Block
Interlock

31 OCT 08

Scale
NTS

UNLESS OTHERWISE SPECIFIED
DIMENSIONS IN INCHES (MM)
TOLERANCES IN INCHES:

ONE DECIMAL PLACE ±0.30
TWO DECIMAL PLACE ±0.20
THREE DECIMAL PLACE ±0.15
FOUR DECIMAL PLACE ±0.10



4235 Earnings Way, New Albany, Indiana, 47150, USA
1-800-782-3486 (USA/Canada/Mexico)
Tel: 812-944-7244
Fax: 812-944-7268
E-mail: mle@mlelectronics.com
Web: www.mlelectronics.com


Revision
B

Sheet
1/2

Revisions

Revision B - (23rd Mar 2010)

Side view added

<p>UNLESS OTHERWISE SPECIFIED DIMENSIONS IN INCHES (MM) TOLERANCES IN INCHES:</p> <p>ONE DECIMAL PLACE ±0.30 TWO DECIMAL PLACE ±0.20 THREE DECIMAL PLACE ±0.15 FOUR DECIMAL PLACE ±0.10</p>	<p>TBW-00-197-XX-XX-LF</p> 	<p>.197cl Wire Protector Terminal Block Interlock</p> <p>4235 Earnings Way, New Albany, Indiana, 47150, USA 1-800-782-3486 (USA/Canada/Mexico) Tel: 812-944-7244 Fax: 812-944-7268 E-mail: mle@mlelectronics.com Web: www.mlelectronics.com</p>	<p>31 OCT 08</p> <p>Scale NTS</p> <p>Revision B</p> <p>Sheet 2/2</p>
---	--	---	--