



P/N: AD-0028S DATA SHEET

Feature

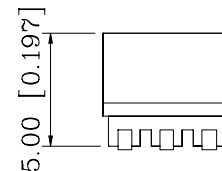
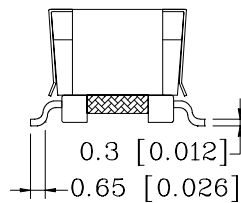
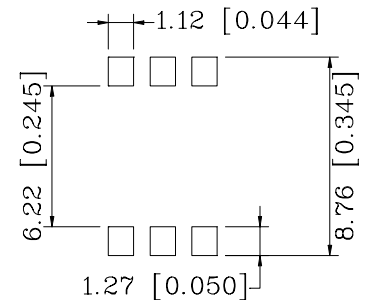
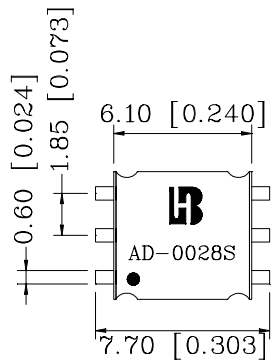
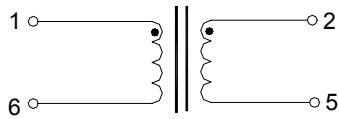


- Matched to Globespan G700(DMT/CAP)chipset.
- Excellent THD performance.
- Used exclusively for frequency filtering.
- Small EE5 Package in SMD Type.
- Operating temperature : -10°C to +60°C.
- Storage temperature : -25°C to +75°C.

Electrical Specifications @ 25°C							
Part Number	Application	Turn Ratio(±2%)	OCL (μH±7%)@100KHz,0.1v	DCR (Ω Max)		THD (dB TYP) @7KHz,1.0Vrms	HI-POT (Vrms)
		(1-6):(2-5)	1-6	1-6	2-5		
AD-0028S	CO	1:1	170	6.5		-60	500

Schematic

Mechanical



Units: mm [Inches] Tolerances: xx.x0±0.25[0.010]
0.xx±0.05[0.002]