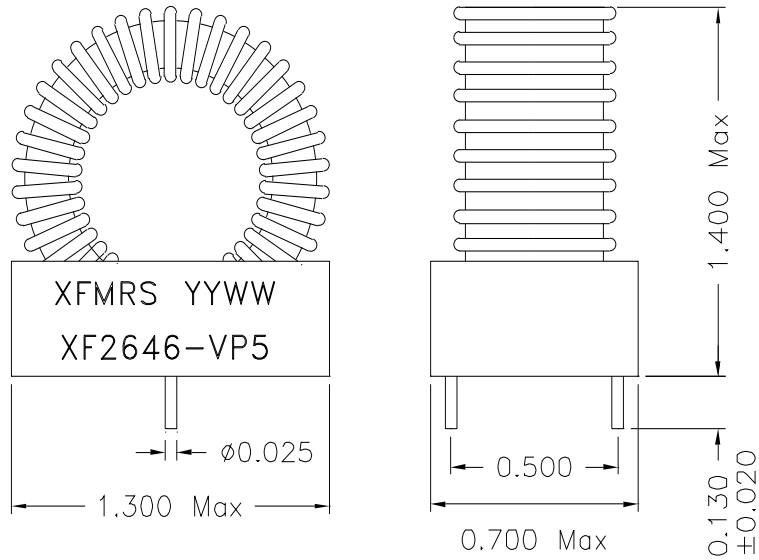


1. Mechanical Dimensions:



2. Schematic:



3. Electrical Specifications: @25°C

OCL: 264.1uH±15% @10KHz 100mV

OCL: 190uH Typical @10KHz 100mV 3.0ADC

DC Resistance: 0.140 Ohms Maximum

DOC. REV A/2

XFMRS Inc	Title: TOROIDAL INDUCTOR		
	UNLESS OTHERWISE SPECIFIED TOLERANCES: .xxx ±0.010 Dimensions in INCH		P/N: XF2646-VP5 REV A
DWN.	廖玉坤	Apr-20-00	
CHK.	李清儿	Apr-20-00	
APP.	Joe Huff	Apr-20-00	