

6

5

4

3

2

1

**MATERIAL AND FINISH:**

Insulator: Polycarbonate, UL-94V-0 rated  
Contacts: Brass, Nickel plated

**ELECTRICAL SPECIFICATIONS:**

Current rating: 10 A  
Voltage rating: 250 VAC  
Current rating: 15 A  
Voltage rating: 250 VAC



**ORDERING CODE:**

42R02-7  
1 2 3

**1 = TERMINAL OPTIONS**

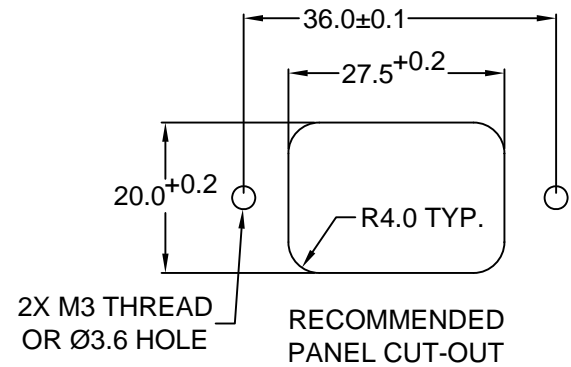
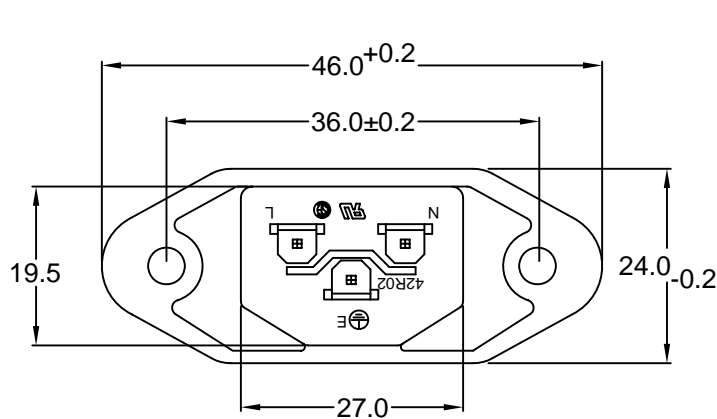
- 1 = .187(4.8)
- 2 = .250(6.3)

**2 = COLOR**

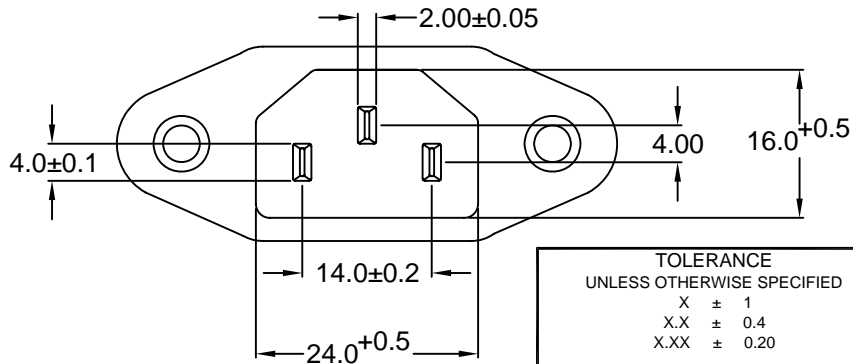
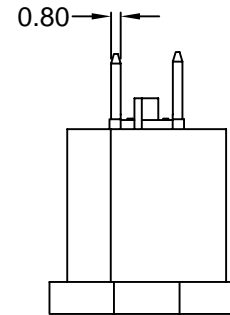
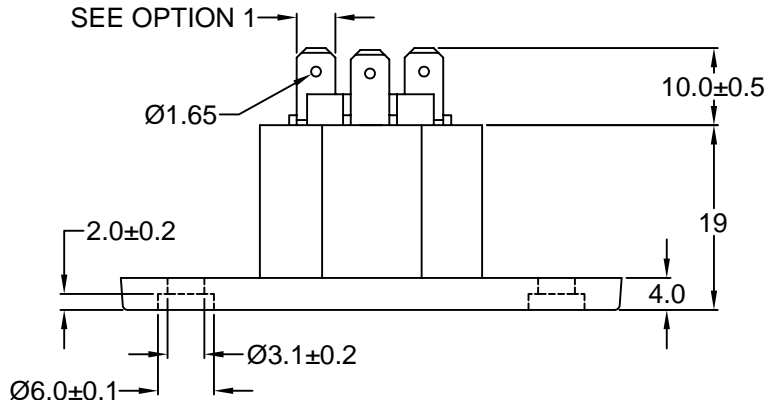
- 1 = BLACK
- 2 = GRAY

**3 = ELECTRICAL CIRCUIT CONFIGURATION**

- 1 = 15A 250V 120°C 2+GROUND
- 2 = 15A 250V 70°C 2+GROUND
- 4 = 15A 250V 70°C 2 POLE



SEE OPTION 1



TOLERANCE  
UNLESS OTHERWISE SPECIFIED  
X ± 1  
X.X ± 0.4  
X.XX ± 0.20

**Power Dynamics, Inc.**

Phone: 973 560-0019 Whippany, New Jersey Fax: 973 560-0076

PART: IEC 60320 C14 APPL. INLET; QUICK CONNECT  
TERMINALS; SIDE FLANGE

DRAWN BY	GQ	DATE:	08/07/01
CHECK BY	TD	DATE:	8/14/01
APPR BY	PB	DATE:	8/14/01

PART #: 42R02-7XXX		SHEET 1 of 1
SIZE: A	ALL DIMENSIONS FOR REFERENCE ONLY DIMENSIONS ARE IN MILLIMETERS	
SCALE: NTS	REV:	



REVISIONS	CHNG	CHECK	APPR
	CHANGE		
	REV	DATE	

6

5

4

3

2

1