

2.4 GHz Power Amplifier

SST12LP14



Preliminary Specifications

FEATURES:

- **High Gain:**
 - Typically 30 dB gain across 2.4~2.5 GHz over temperature 0°C to +80°C
- **High linear output power:**
 - >26.5 dBm P1dB
 - Meets 802.11g OFDM ACPR requirement up to 23 dBm
 - Added EVM ~4% up to 20 dBm for 54 Mbps 802.11g signal
 - Meets 802.11b ACPR requirement up to 24 dBm
- **High power-added efficiency/Low operating current for both 802.11g/b applications**
 - ~22% @ $P_{OUT} = 22$ dBm for 802.11g
 - ~26% @ $P_{OUT} = 23.5$ dBm for 802.11b
- **Built-in Ultra-low I_{REF} power-up/down control**
 - $I_{REF} < 4$ mA
- **Low idle current**
 - ~60 mA I_{CQ}
- **High-speed power-up/down**
 - Turn on/off time (10%~90%) <100 ns
 - Typical power-up/down delay with driver delay included <200 ns
- **High temperature stability**
 - ~1 dB gain/power variation between 0°C to +80°C
 - ~1 dB detector variation over 0°C to +80°C
- **Low shut-down current (< 0.1 μ A)**
- **On-chip power detection**
- **25 dB dynamic range on-chip power detection**
- **Simple input/output matching**
- **Packages available**
 - 16-contact VQFN (3mm x 3mm)
 - Non-Pb (lead-free) packages available

APPLICATIONS:

- **WLAN (IEEE 802.11g/b)**
- **Home RF**
- **Cordless phones**
- **2.4 GHz ISM wireless equipment**

PRODUCT DESCRIPTION

The SST12LP14 is a high-performance power amplifier IC based on the highly-reliable InGaP/GaAs HBT technology.

The SST12LP14 can be easily configured for high-power, high-efficiency applications with superb power-added efficiency while operating over the 2.4~2.5 GHz frequency band. It typically provides 30 dB gain with 22% power-added efficiency @ $P_{OUT} = 22$ dBm for 802.11g and 27% power-added efficiency @ $P_{OUT} = 24$ dBm for 802.11b.

The SST12LP14 has excellent linearity, typically <4% added EVM up to 20 dBm output power which is essential for 54 Mbps 802.11g operation while meeting 802.11g spectrum mask at 23 dBm. The SST12LP14 also has wide-range (>25 dB), temperature-stable (~1 dB over 80°C), single-ended/differential power detectors which lower users' cost on power control.

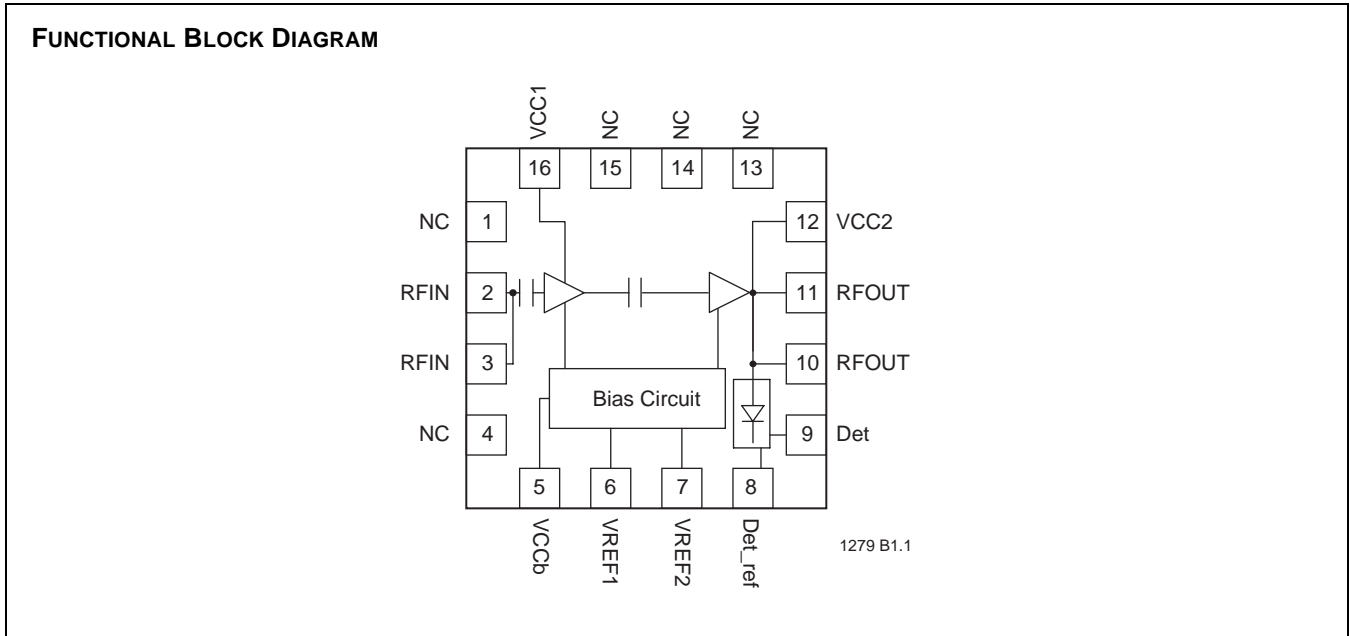
The power amplifier IC also features easy board-level usage along with high-speed power-up/down control. Ultra-low reference current (total $I_{REF} < 4$ mA) makes the SST12LP14 controllable by an on/off switching signal directly from the baseband chip. These features coupled with low operating current make the SST12LP14 ideal for the final stage power amplification in battery-powered 802.11g/b WLAN transmitter applications.

The SST12LP14 is offered in 16-contact VQFN package. See Figure 1 for pin assignments and Table 1 for pin descriptions.



Preliminary Specifications

FUNCTIONAL BLOCKS





2.4 GHz Power Amplifier SST12LP14

Preliminary Specifications

PIN ASSIGNMENTS

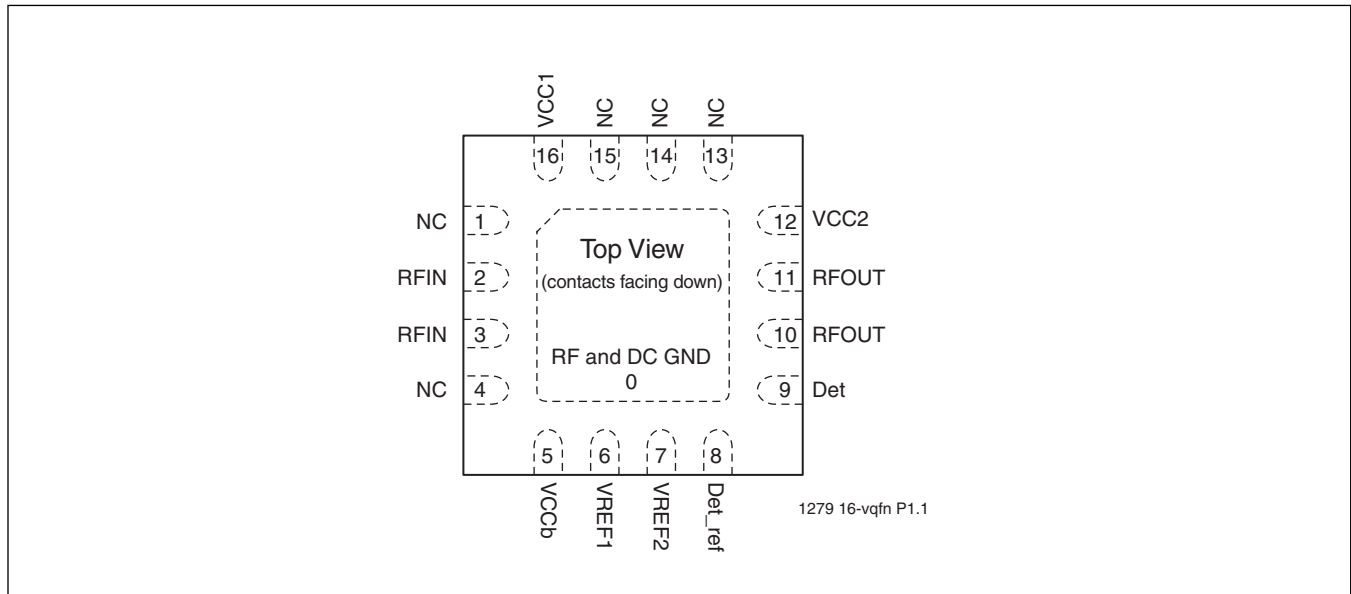


FIGURE 1: PIN ASSIGNMENTS FOR 16-CONTACT VQFN

PIN DESCRIPTIONS

TABLE 1: PIN DESCRIPTION

Symbol	Pin No.	Pin Name	Type ¹	Function
GND	0	Ground		The center pad should be connected to RF ground with several low inductance, low resistance vias.
NC	1	No Connection		Unconnected pins.
RFIN	2		I	RF input, DC decoupled
RFIN	3		I	RF input, DC decoupled
NC	4	No Connection		Unconnected pins.
VCCb	5	Power Supply	PWR	Supply voltage for bias circuit
VREF1	6		PWR	1st stage idle current control
VREF2	7		PWR	2nd stage idle current control
Det_ref	8		O	On-chip power detector reference
Det	9		O	On-chip power detector
RFOUT	10		O	RF output
RFOUT	11		O	RF output
VCC2	12	Power Supply	PWR	Power supply, 2nd stage
NC	13	No Connection		Unconnected pins.
NC	14	No Connection		Unconnected pins.
NC	15	No Connection		Unconnected pins.
VCC1	16	Power Supply	PWR	Power supply, 1st stage

1. I=Input, O=Output

T1.0 1279



Preliminary Specifications

ELECTRICAL SPECIFICATIONS

The AC and DC specifications for the power amplifier interface signals. Refer to Table 2 for the DC voltage and current specifications. Refer to Figures 2 through 12 for the RF performance.

Absolute Maximum Stress Ratings (Applied conditions greater than those listed under “Absolute Maximum Stress Ratings” may cause permanent damage to the device. This is a stress rating only and functional operation of the device at these conditions or conditions greater than those defined in the operational sections of this data sheet is not implied. Exposure to absolute maximum stress rating conditions may affect device reliability.)

Supply Voltage at pins 5, 12, and 16 (V_{CC})	-0.3V to +4.6V
Reference voltage to pin 6 (V_{REF1}) and pin 7 (V_{REF2})	-0.3V to +3.6V
DC supply current (I_{CC})	500 mA
Operating Temperature (T_A)	-40°C to +85°C
Storage Temperature (T_{STG})	-40°C to +120°C
Maximum Junction Temperature (T_J)	+150°C
Surface Mount Solder Reflow Temperature:	“with-Pb” units ¹ : 240°C for 3 seconds
	“non-Pb” units: 260°C for 3 seconds

1. Certain “with-Pb” package types are capable of 260°C for 3 seconds; please consult the factory for the latest information.

OPERATING RANGE

Range	Ambient Temp	V_{CC}
Industrial	-40°C to +85°C	3.3V

TABLE 2: DC ELECTRICAL CHARACTERISTICS

Symbol	Parameter	Min.	Typ	Max.	Unit	Test Conditions
V_{CC}	Supply Voltage at pins 5, 12, 16	3.0	3.3	4.2	V	
I_{CC}	Supply Current for 802.11g, 24 dBm for 802.11g, 25 dBm			290 340	mA mA	
I_{CQ}	Idle current for 802.11g to meet EVM @ 20.5 dBm		55		mA	
I_{OFF}	Shut down current			0.1	μA	
V_{REG1}	Reference Voltage for 1st Stage, with 120Ω resistor	2.7	2.9	3.1	V	
V_{REG2}	Reference Voltage for 2nd Stage, with 360Ω resistor	2.7	2.9	3.1	V	
V_{REG1}	Reference Voltage for 1st Stage, with 220Ω resistor	2.9	3.1	3.3	V	
V_{REG2}	Reference Voltage for 2nd Stage, with 590Ω resistor	2.9	3.1	3.3	V	

T2.0 1279



2.4 GHz Power Amplifier SST12LP14

Preliminary Specifications

TABLE 3: AC ELECTRICAL CHARACTERISTICS FOR CONFIGURATION

Symbol	Parameter	Min.	Typ	Max.	Unit
F _{L-U}	Frequency range	2400		2485	MHz
P _{OUT}	Output power @ PIN = -7 dBm 11b signals @ PIN = -10 dBm 11g signals	23 20			 dBm dBm
G	Small signal gain	30	31	33	dB
G _{VAR1}	Gain variation over band (2400~2485 MHz)			±0.5	dB
G _{VAR2}	Gain ripple over channel (20 MHz)		0.2		dB
ACPR	Meet 11b spectrum mask Meet 11g OFDM 54 MBPS spectrum mask	23 22			 dBm dBm
Added EVM	@ 20 dBm output with 11g OFDM 54 MBPS signal		3		%
2f, 3f, 4f, 5f	Harmonics at 22 dBm, without trapping capacitors			-40	dBc

T3.0 1279



Preliminary Specifications

TYPICAL PERFORMANCE CHARACTERISTICS

TEST CONDITIONS: $V_{CC} = 3.3V$, $T_A = 25^\circ C$

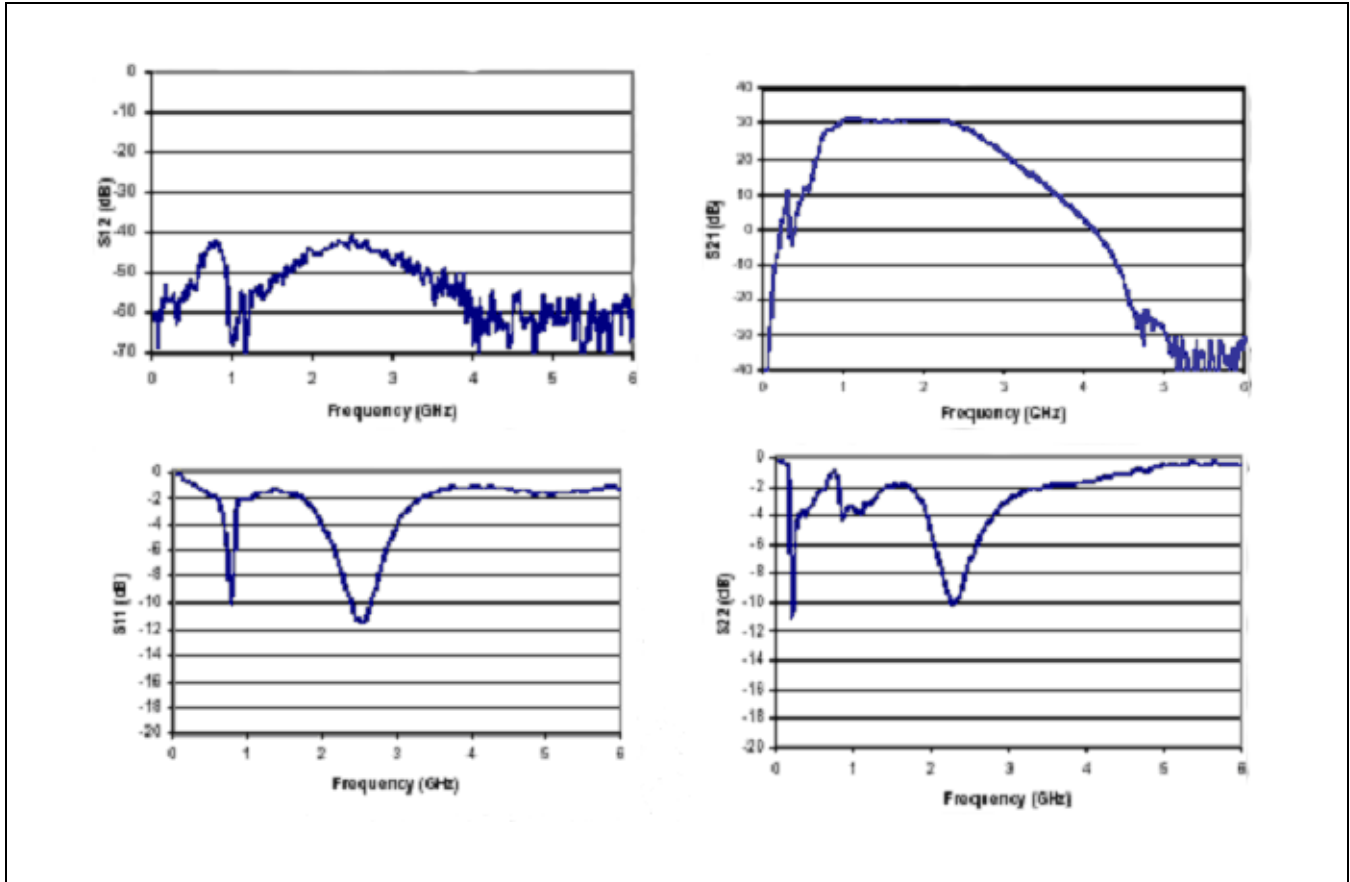


FIGURE 2: S-PARAMETERS

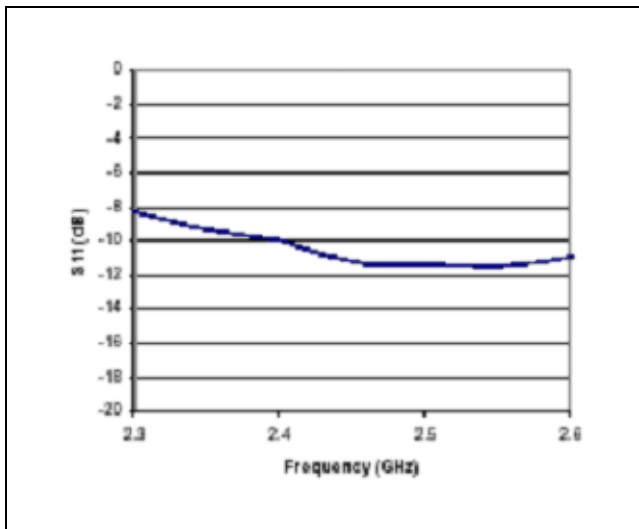


FIGURE 3: INPUT RETURN LOSS

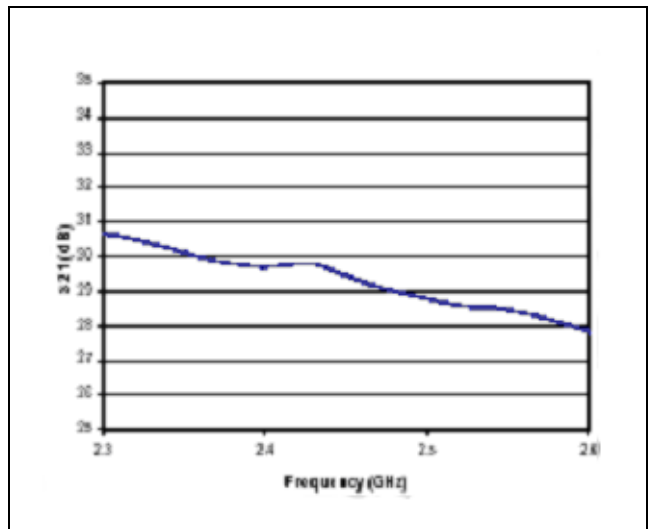


FIGURE 4: IN-BAND GAIN FLATNESS

TYPICAL PERFORMANCE CHARACTERISTICS
TEST CONDITIONS: F1 = 2.45 GHz, F2 = 2.451 GHz

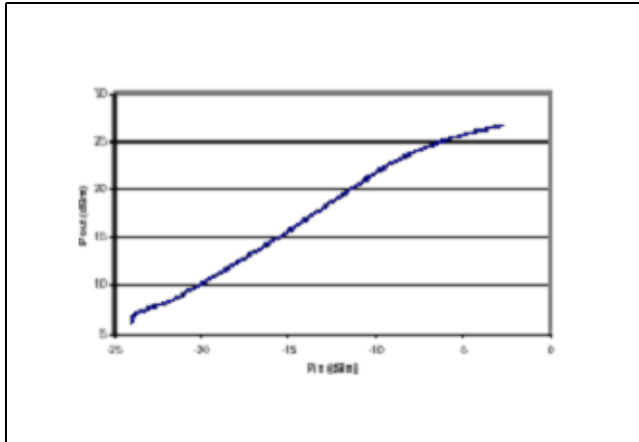


FIGURE 5: P_{OUT} VS P_{IN}

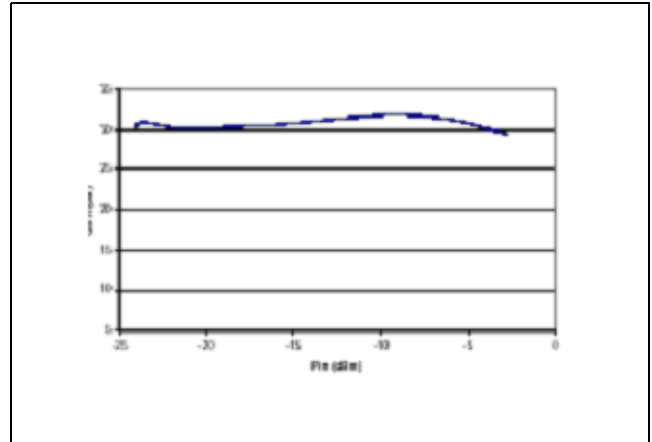


FIGURE 8: GAIN VS P_{OUT}

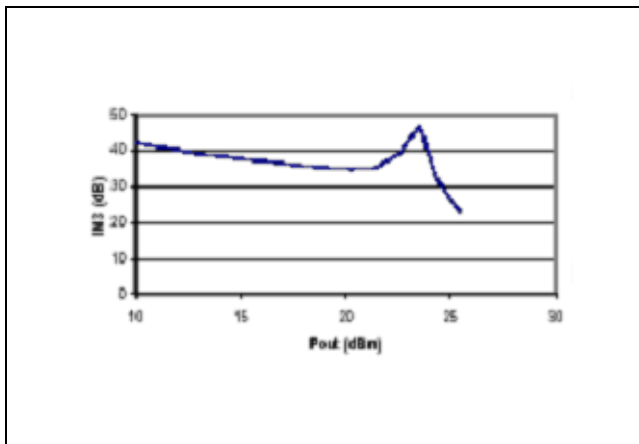


FIGURE 6: IM3 VS P_{OUT}

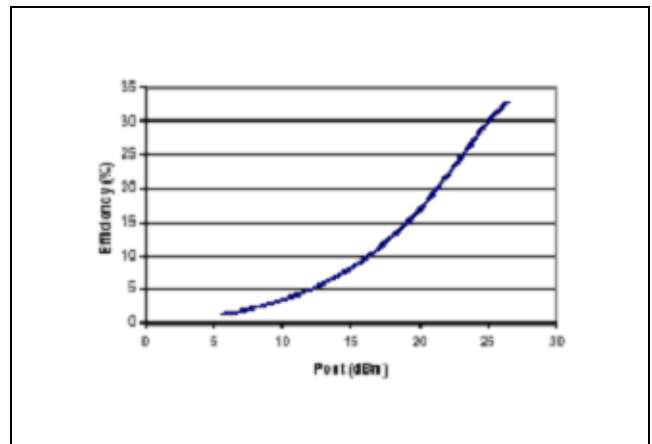


FIGURE 9: PAE FOR TWO TONE

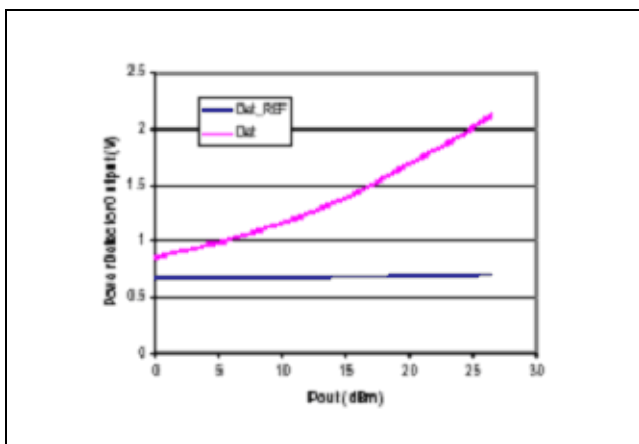


FIGURE 7: DETECTORS VS P_{OUT}



Preliminary Specifications

TYPICAL PERFORMANCE CHARACTERISTICS

TEST CONDITIONS: $V_{CC} = 3.3V$, $T_A = 25^{\circ}C$, $F = 2.45$ GHz, 54 MBPS 802.11G OFDM SIGNAL

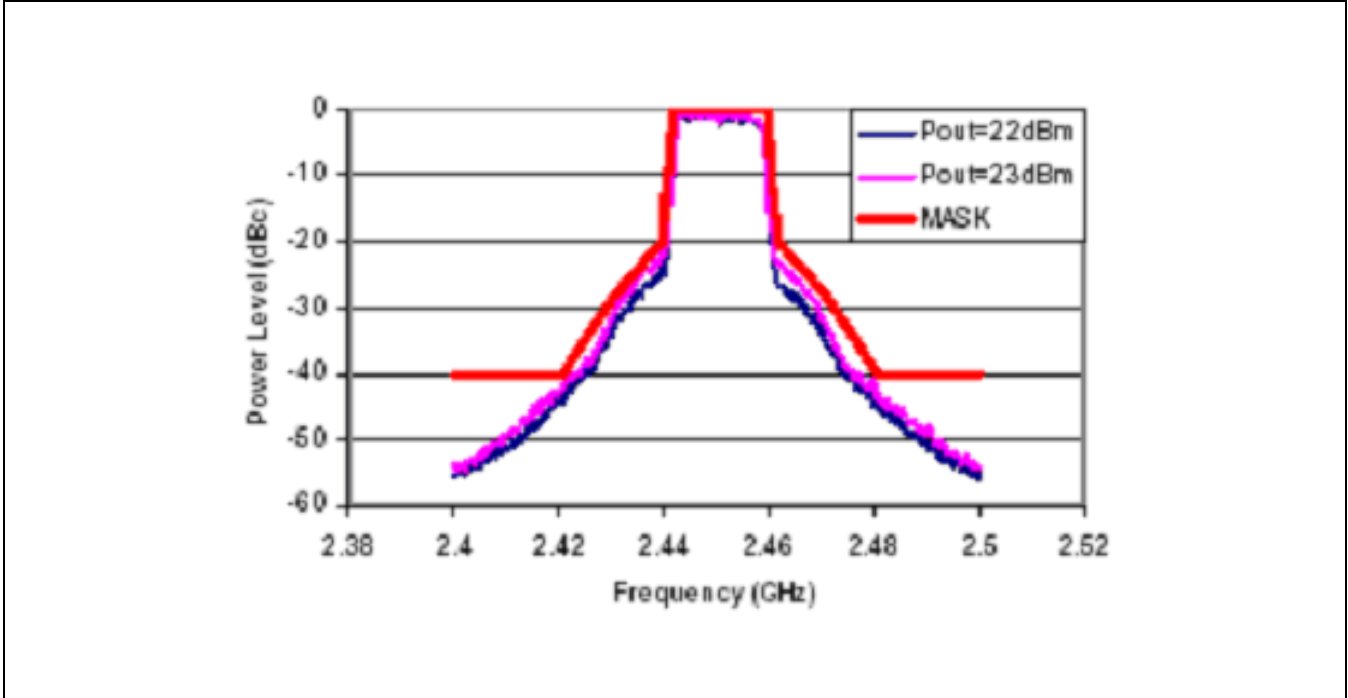


FIGURE 10: 802.11G SPECTRUM AT 22/23 DBM, DC CURRENT 210/240 MA

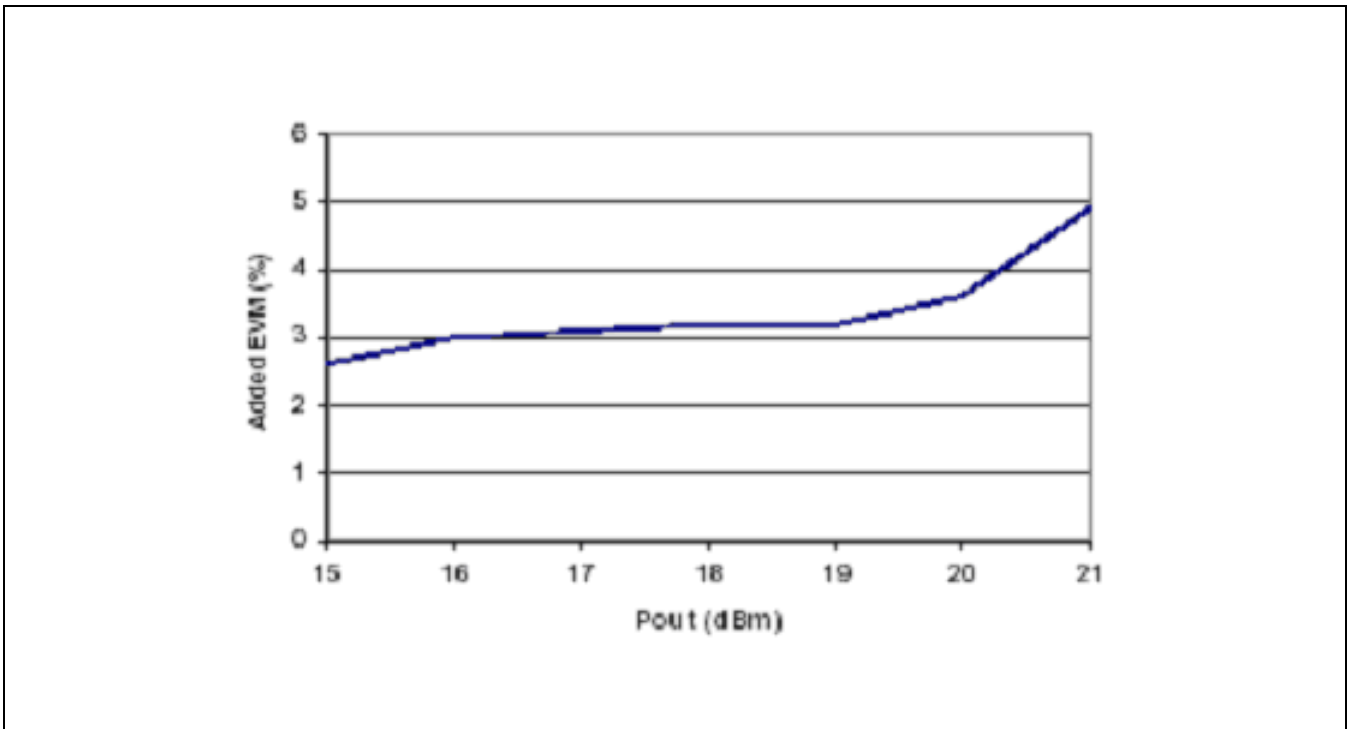


FIGURE 11: 802.11G ADDED EVM FOR 54 MBPS 802.11G SIGNAL



2.4 GHz Power Amplifier SST12LP14

Preliminary Specifications

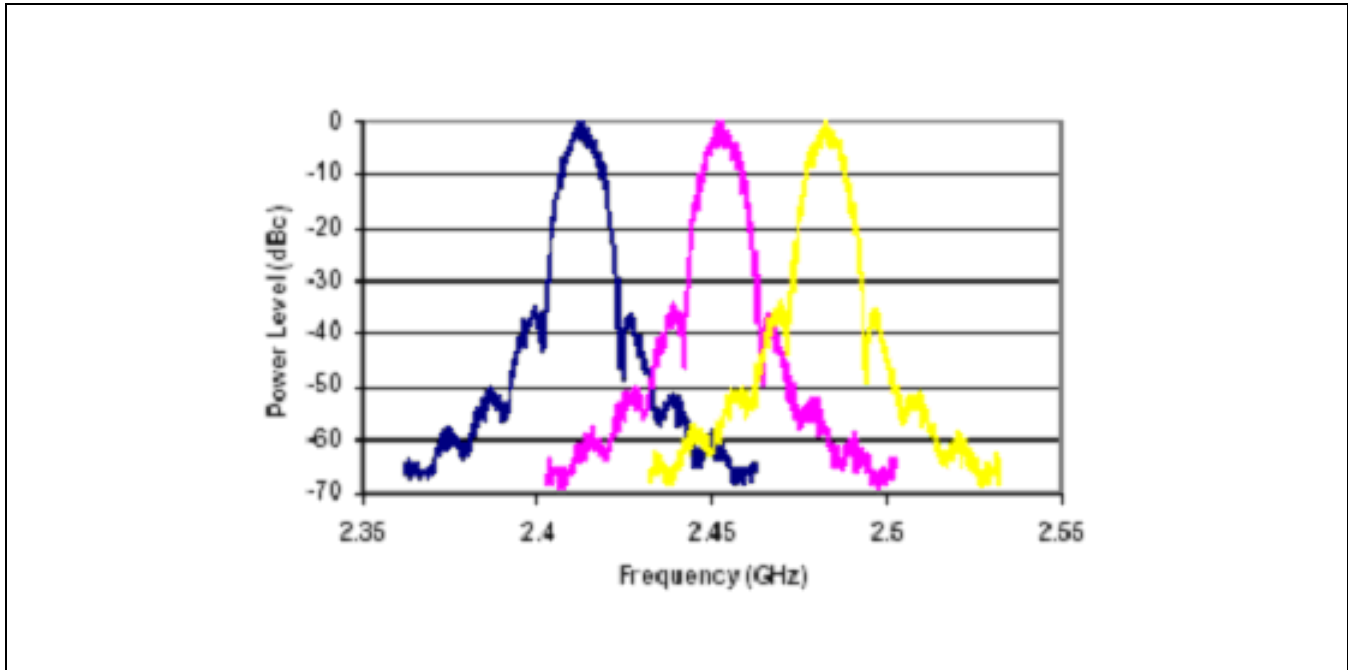


FIGURE 12: 802.11B SPECTRUM AT 24 dBm, DC CURRENT CONSUMPTION 280 mA

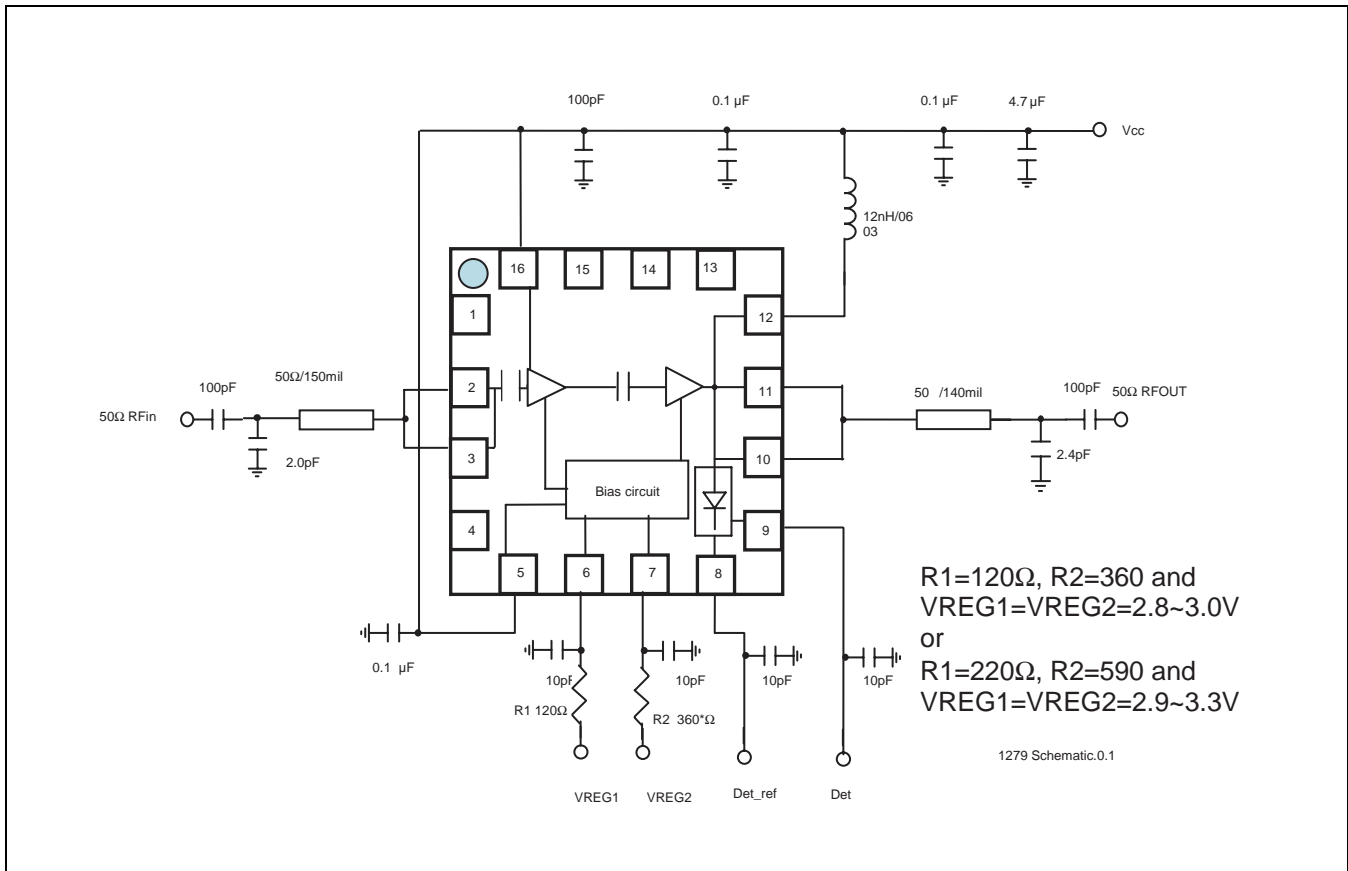
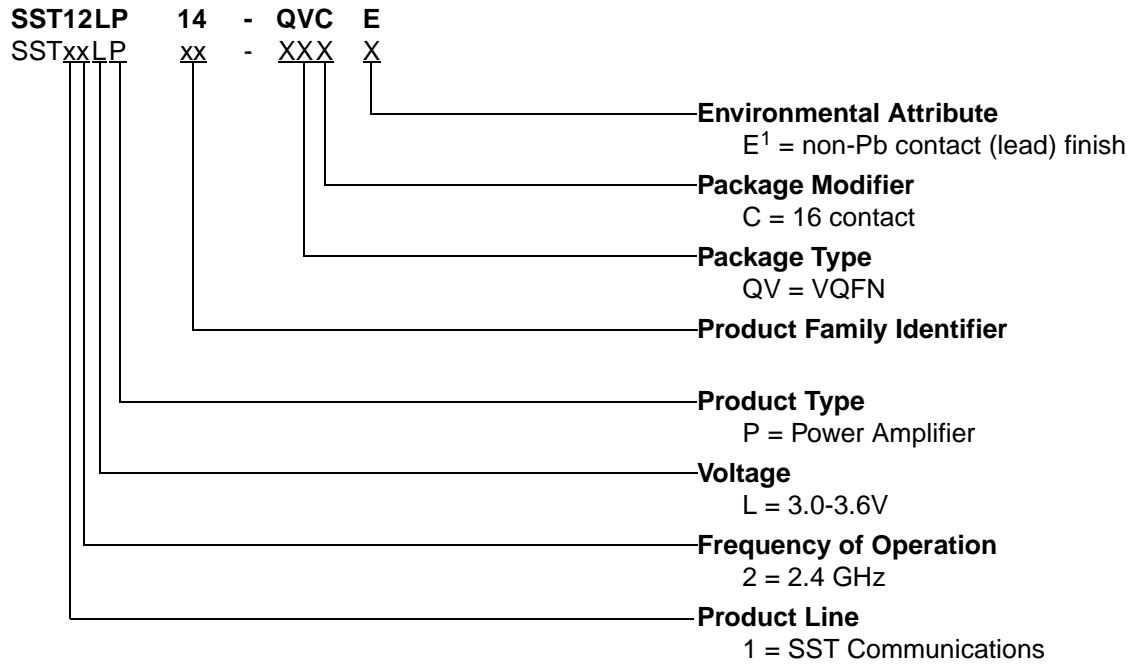


FIGURE 13: TYPICAL SCHEMATIC FOR HIGH-POWER, HIGH-EFFICIENCY 802.11B/G APPLICATIONS



Preliminary Specifications

PRODUCT ORDERING INFORMATION



1. Environmental suffix "E" denotes non-Pb solder.
SST non-Pb solder devices are "RoHS Compliant".

Valid combinations for SST12LP14

SST12LP14-QVC
SST12LP14-QVCE

SST12LP14 Evaluation Kits

SST12LP14-QVC-K
SST12LP14-QVCE-K

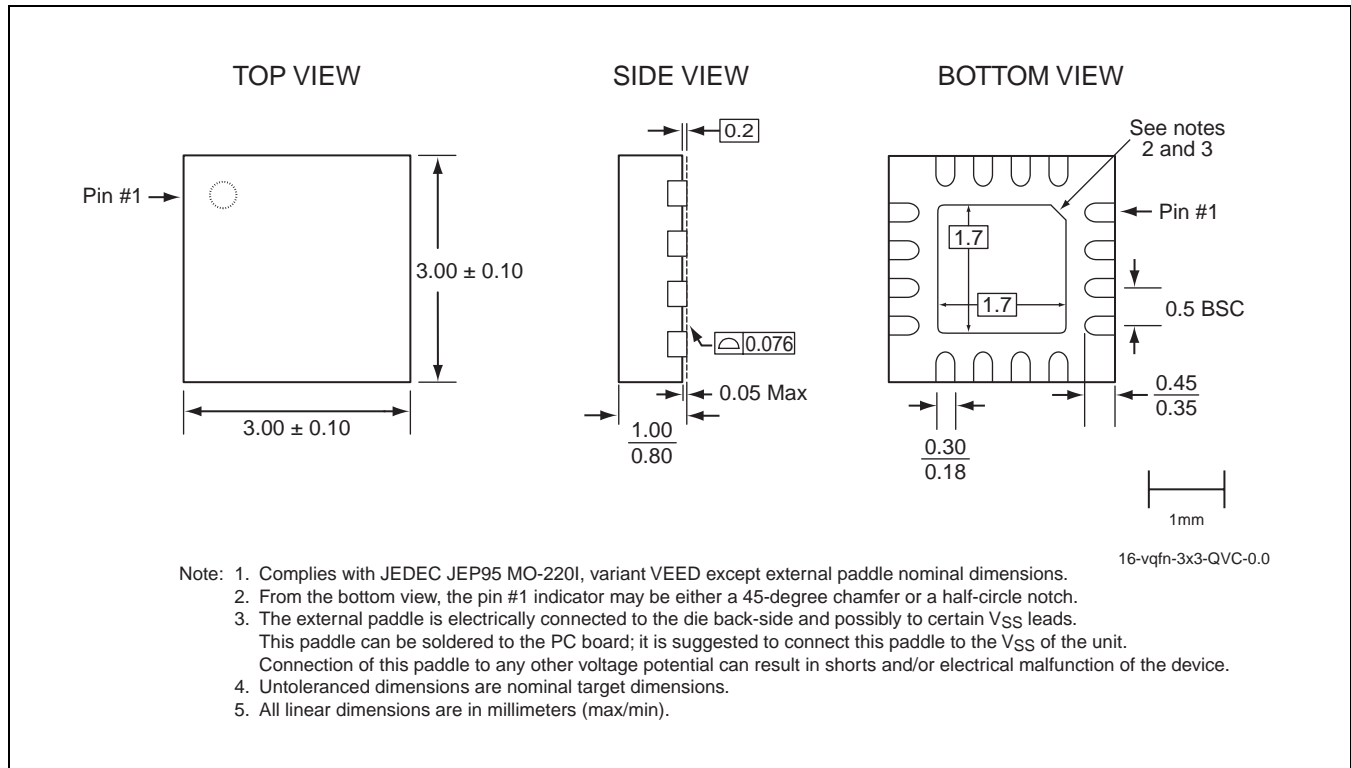
Note: Valid combinations are those products in mass production or will be in mass production. Consult your SST sales representative to confirm availability of valid combinations and to determine availability of new combinations.



2.4 GHz Power Amplifier SST12LP14

Preliminary Specifications

PACKAGING DIAGRAMS



16-CONTACT VERY-THIN QUAD FLAT NO-LEAD (VQFN)
SST PACKAGE CODE: QVC

TABLE 4: REVISION HISTORY

Revision	Description	Date
00	• S71279: SST conversion of data sheet GP1214	Jan 2005



Preliminary Specifications

CONTACT INFORMATION

Marketing

SST Communications Corp.
2951 28th Street, Ste. 2040
Santa Monica, CA 90405
Tel: 310-581-1650 x27
Fax: 310-581-1663

Sales

NORTH AMERICA

Silicon Storage Technology, Inc.
Les Crowder
Technical Sales Support - Major Accounts
1922 Colina Salida Del Sol
San Clemente, CA 92673-3652 USA
Tel: 949-495-6437
Cell: 714-813-6636
Fax: 949-495-6364
E-mail: lcrowder@sst.com

EUROPE

Silicon Storage Technology Ltd.
Ralph Thomson
Applications Manager
Mark House
9-11 Queens Road
Hersham KT12 5LU UK
Tel: +44 (0) 1869 321 431
Cell: +44 (0) 7787 508 919
E-mail: rthomson@sst.com

JAPAN

SST Japan
Yashushi Yoshinaga
Sales Manager
6F Kose #2, 1-14-20 Shin-Yokohama,
Kohoku-ku, Yokohama 222-0033
Kanagawa, Japan
Tel: (81) 45-471-1851
Fax: (81) 45-471-3285
Email: yoshi@sst.com

ASIA PACIFIC NORTH

SST Macao
H. H. Chang
Senior Director, Sales
Room A, 8th Floor,
Macao Financial Centre,
No. 230-246, Rua Pequim, Macao
Tel: (853) 706-022
Fax: (853) 706-023
E-mail: hchang@sst.com

ASIA PACIFIC SOUTH

SST Communications Co.
Andy Chang
Director of Sales
2F, No. 415, Tiding Blvd., Sec.2,
Neihu, Taipei,
Taiwan, R.O.C.
Tel: 02-2656-2888 x220
Fax: 02-2656-2889
E-mail: achang@sst.com

KOREA

SST Korea
Charlie Shin
Country Manager
Rm# 1101 DonGu Root Bldg, 16-2 Sunae-Dong,
Bundang-Gu, Sungnam, Kyunggi-Do
Korea, 463-020
Tel: (82) 31-715-9138
Fax: (82) 31-715-9137
Email: cshin@sst.com