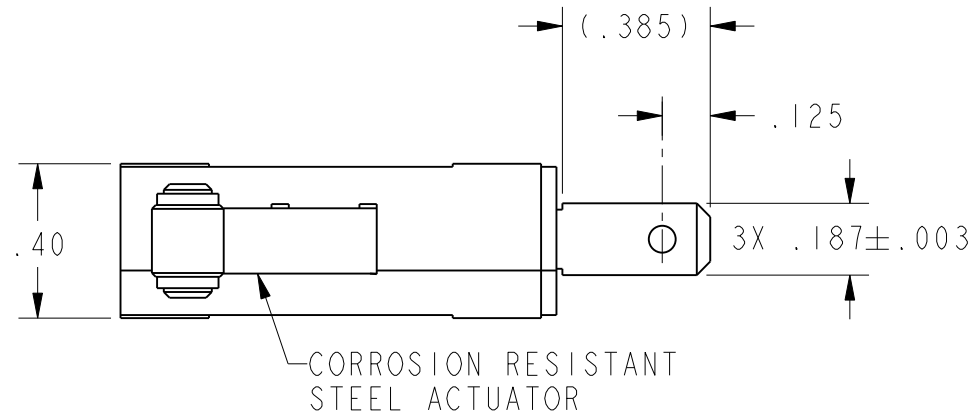
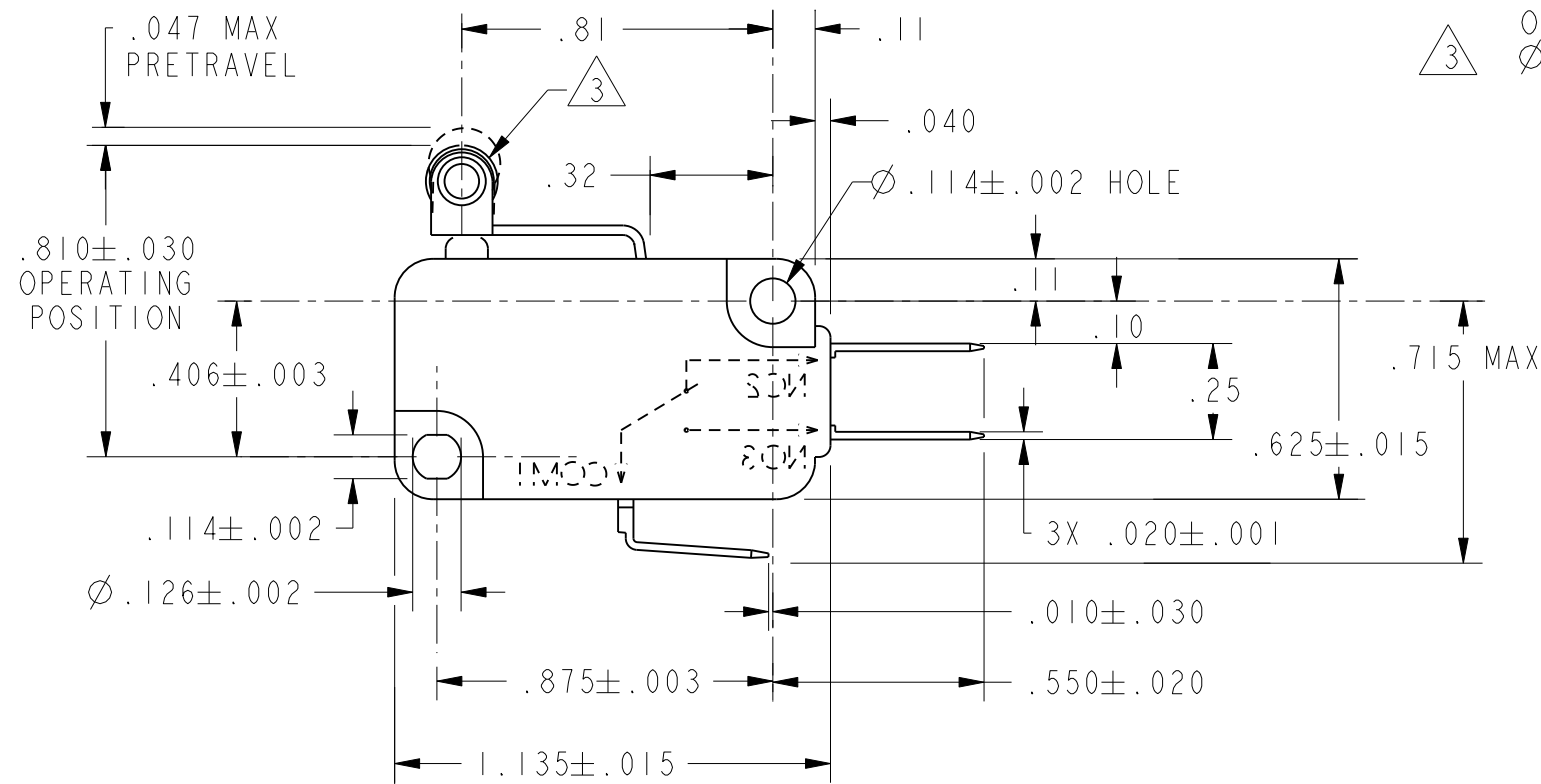


REV	DOCUMENT	CHANGED BY	CHECK
3	0041228	VS 03JUL08	BLR



NOTES

- 1 - SWITCH MATERIALS WILL WITHSTAND TEMPERATURE OF 150°C
- 2 - CAUTION: OVERTRAVEL FORCE ON LEVER MUST NOT RESULT IN AN OVERTRAVEL FORCE ON PLUNGER EXCEEDING FIVE POUNDS
- 3 \varnothing .19 X .19 WIDE OIL BRONZE ROLLER (CONCENTRICITY .005 FIM)



CHARACTERISTICS	
OPERATING FORCE-----	175 GRAMS MAX
RELEASE FORCE -----	19 GRAM MIN
DIFFERENTIAL TRAVEL-----	.012 MAX
OVERTRAVEL -----	.032 MIN
RELEASE TRAVEL -----	.007 MIN

ELECTRICAL DATA	
CONTACT ARRANGEMENT S P D T	
L215	
15.1A 1/2HP 125, 250 OR 277 VAC	
1/2A 125 VDC	
1/4A 250 VDC; 5A 125 VAC "L"	

UNLESS OTHERWISE SPECIFIED TOLERANCES ARE:			
	<input checked="" type="checkbox"/> US (inch) CUSTOMARY	<input type="checkbox"/> SI (mm) METRIC	
NO PLACE	X	±.040	±1
ONE PLACE	.X	±.030	±0,4
TWO PLACE	.XX	±.015	±0,15
THREE PLACE	.XXX	±.005	±
ANGLES		±	±
RAW MATERIAL-COMMERCIAL STANDARD			
THIRD ANGLE PROJECTION			

DRAWN	TSM	IODEC02
CHECK	SAV	IODEC02
THIS DRAWING COVERS A PROPRIETARY ITEM AND IS THE PROPERTY OF HONEYWELL. THIS DRAWING IS NOT TO BE COPIED OR USED WITHOUT THE PERMISSION OF HONEYWELL.		
DIMENSIONS ARE TO BE MET BEFORE PROTECTIVE COATINGS ARE APPLIED		
PTC 2D	ASME Y14.5M-1994	

Honeywell			
TITLE SWITCH, BASIC			
SIZE	DWG TYPE	DRAWING NAME	REV
B	I	V7-1C13D8-201	3
SCALE	NTS	WEIGHT	SHEET 1 OF 1