

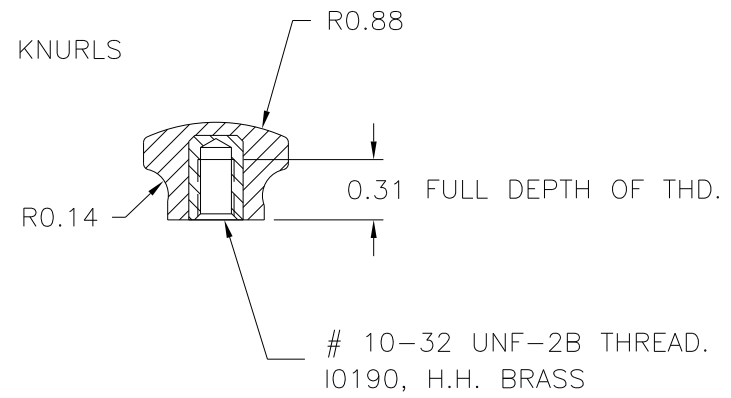
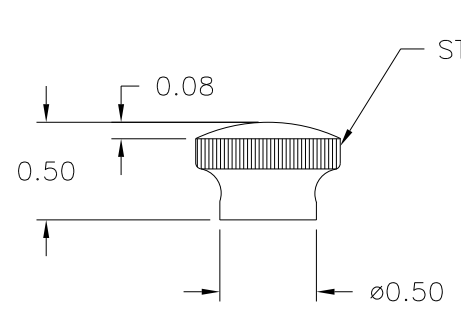
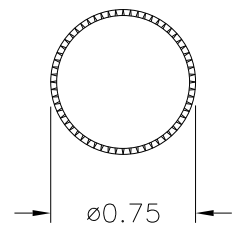
PART NAME: KNOB      SCALE: 1:1      DATE: 9/11/47      DR. BY HD

THIS DRAWING IS THE PROPERTY OF DAVIES MOLDING COMPANY, IS SUBMITTED SOLELY AS A DESIGN OR ENGINEERING PROJECT. WE ACCEPT NO RESPONSIBILITY WHATSOEVER FOR THE PRACTICAL APPLICATION OF THE PIECES MADE TO THIS DESIGN.



DESIGNERS & MANUFACTURERS OF KNOBS, HANDLES, CASES & CUSTOM PLASTIC COMPONENTS

P/N	2710
M <sup>NO.</sup>	2710
CAVITY	2710
PLUNGER	2710
PIN	2710-A
INSERT	I0190



MATERIAL: G.P. PHENOLIC (B11)  
COLOR: BLACK

TOLERANCES: UNLESS OTHERWISE SPECIFIED	DO NOT SCALE DRAWING			
DECIMALS: X.XXX ± .005 X.XX ± .015	MM: X.XX ± 0.15MM X.X ± 0.4MM	-	CLEANED-UP REDRAW	TS 4/12/2000
FRACTIONS ± 1/64	ANG. ± 1°	-	CAD/REDRAWN	HD 1/15/93
CHANGES				